

# HOOP STYLE COMFY CALF SUITES

## INSTALLATION INSTRUCTIONS



**Installation or product problems? Call 1-800-260-5314**

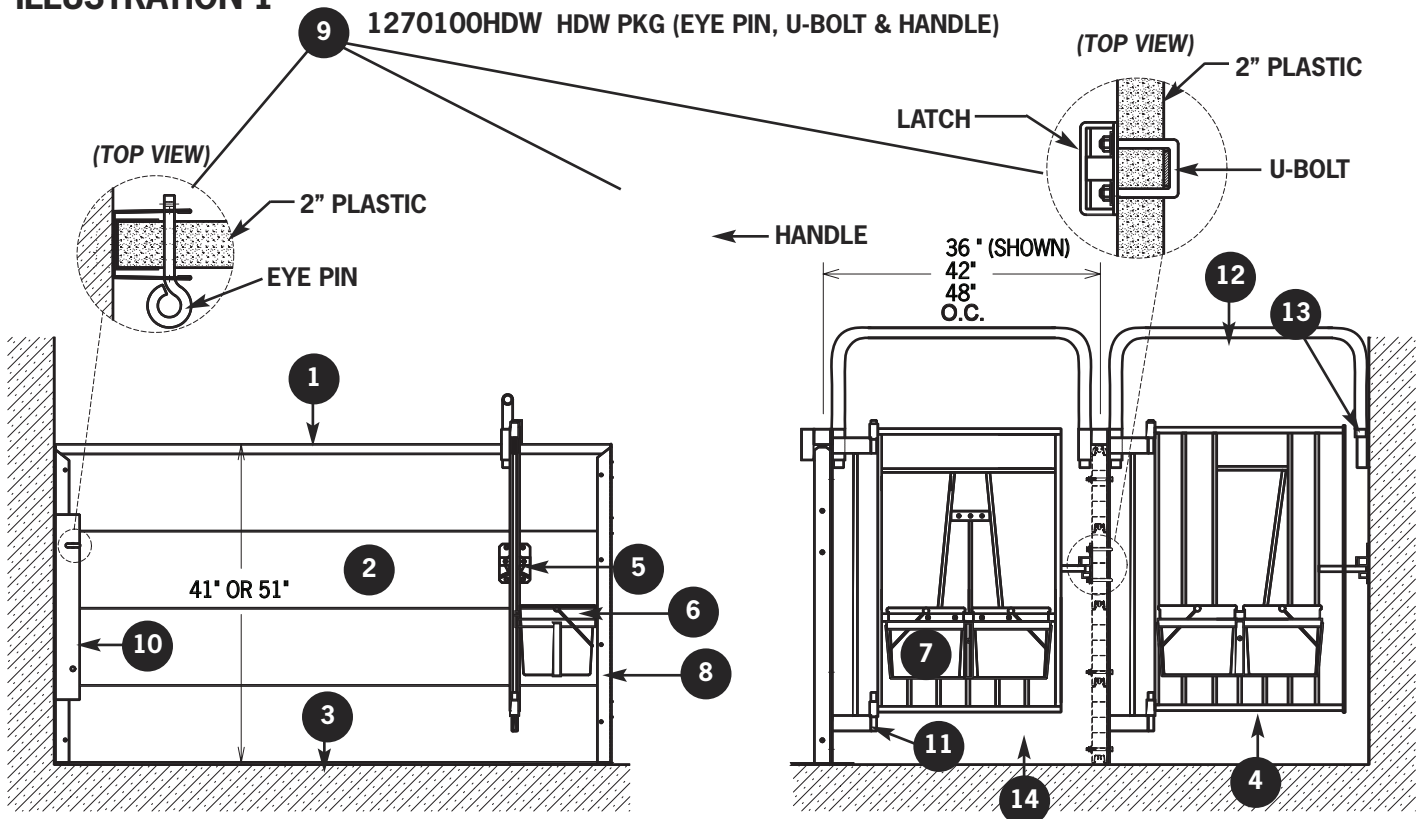
# COMFY CALF SUITES - HOOP STYLE



Congratulations on the purchase of Comfy Calf Suites! These instructions will guide you through the installation process and identify parts and accessories so please read through them and save them for future reference.

ILLUS.	DESCRIPTION	PART #
1	PLASTIC CAP 1.5" X 72" (OR 96" LG)	2013130-72 / 2013130-96
2	PLASTIC PLANK 10" X 72" LG (OR 96" LG)	2013030-72 / 2013030-96
3	BOTTOM PLUG / PLANK 20' LG (cut to size)	2013220
4	GALVANIZED 24" FRONT (2 HOLE) (36" OC PEN)	1241136
	GALVANIZED 30" FRONT (2 HOLE) (42" OC PEN)	1241142
	GALVANIZED 36" FRONT (2 HOLE) (48" OC PEN)	1241148
5	GALVANIZED 2-WAY CALF LATCH	1240100
6	GALVANIZED DBL PAIL HOLDER ONLY	1241210A
7	PLASTIC CALF PAIL (WHITE)	1235033
8	STAINLESS STEEL CALF CHANNEL (20 GA) 41" HIGH	1240041
	51" HIGH	1240051
9	HDW PKG (HOOP SUITE) INCL U-BOLT, EYE PIN & HANDLE	1270100HDW
10	STAINLESS STEEL 24" MOUNT CHANNEL / CALF SUITE	1240226
11	HINGE STRAP / CALF SUITE - 41" LG	1275241
	51" LG	1275251
12	33" OD CALF ARCH (36" O.C. PEN)	1290136
	(42" O.C. PEN)	1290142
	(48" O.C. PEN)	1290148
13	FORMED CLAMP (1" PIPE) (FOR ROW END ONLY)	2060260
14	GALVANIZED 32 3/4" RETAINER CHANNEL (36" OC PEN)	1240264-36
	GALVANIZED 38 3/4" RETAINER CHANNEL (42" OC PEN)	1240264-42
	GALVANIZED 44 3/4" RETAINER CHANNEL (48" OC PEN)	1240264-48

## ILLUSTRATION 1



## INSTALLATION:

**Step #1:** Install handle to front channel (2 flange nuts on outside and 2 nylon locks on inside of channel). **\*TIGHTEN\***. Snap planks together for dividers.

**! TIP: Slide hoop strap onto divide before putting channels on planks.**

Install front and back channels, then snap on top cap. Drill through plastic with a 1/4" bit, then fasten channels with 1/4" x 2 1/2" hex bolts.

**Step #2:** Install hoop strap to divider panel approximately 10" from the front with 3/8" x 3" hex bolts and 2" square washers and lock nut which are to be installed on the plank side. Fasten the 24" SS channels to the back wall at **EXACTLY** 48"OC, 42"OC or 36"OC to match your front gates.

**! TIP: When mounting hoop straps, note which way your gate will swing out for animal flow.**

**Note:** With our 2-way latch, you can always open gate into the pen.

**Step #3:** Slide divider into the back 24" channel and drill 1/2" hole through divider, then attach divider to 24" channel with removable eye pin.

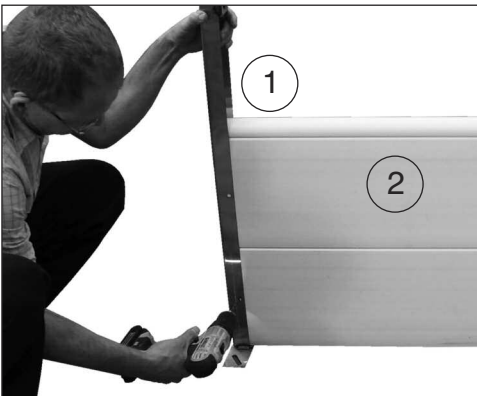
**Step #4:** Install front gate and block post up so it is level, locate latch and mark hole locations. Drill 4 through holes to mount latch with 2 square U-bolts (around hoop strap and through holes in divider plank).

**! TIP: Add 2 more 9/16" holes on latch side only to countersink the nuts of the latch.**

**Step #5:** Install pail holder with 2 washers per bolt between front and pail holder.

**Step #6:** Install **OPTIONAL** accessories (shown on back page).

## VENTED BACK WALL INSTALLATION:

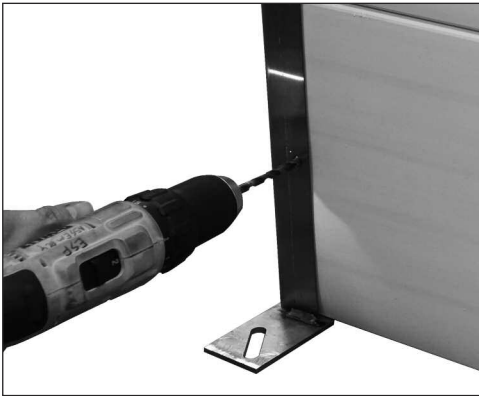


**Step #1:** Lag one channel post where you are starting your back wall.

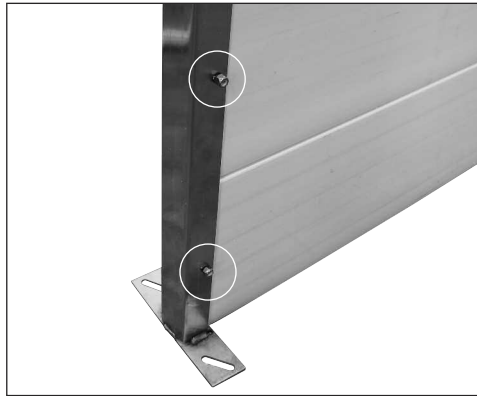
**Step #2:** Snap together two back wall planks. Snap top cap on the planks.



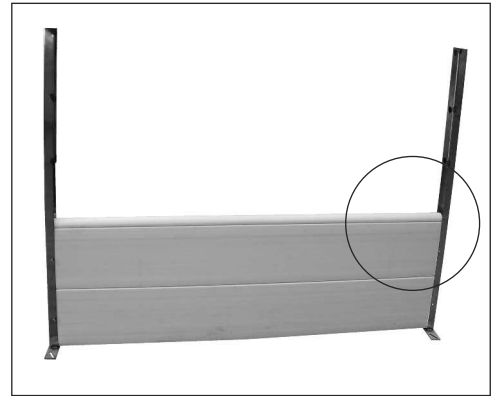
**Step #3:** Slide the planks into the channel post



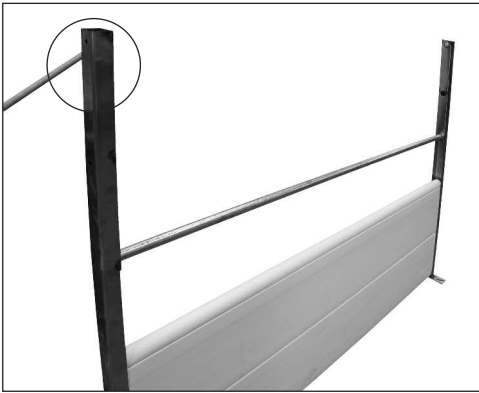
**Step #4:** Drill into plastic planks with 1/4" bit. (Make sure to start the hole coming from the front and the back. Don't try to go all the way through. You may not line the drill up with the hole on the backside.)



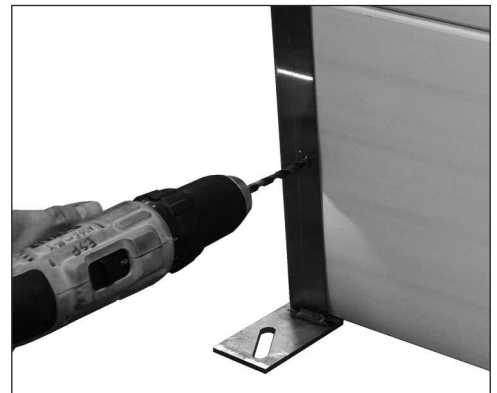
**Step #5:** Fasten 1/4" x 2 - 2 1/2" hex bolt and tighten.



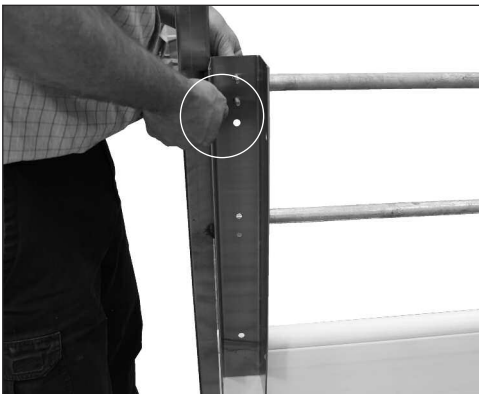
**Step #6:** Slide the other channel post on to the other end of the plank. (Do not fasten to post yet.)



**Step #7:** Slide the rails in the holes at the tip of the posts.



**Step #8:** Repeat step #4 and #5 and drill holes and fasten with bolts.



**Step #9:** Attach receiving channel with U-Bolts.  
(The channel should be attached to the bottom rails and on the inside of the calf suite)



# FINISHED VENTED BACK WALL



## COMFY CALF SUITES - HOOP STYLE PARTS:

**1241120** CALF HEAD HOLE REDUCER

**1240041**  
41" SS CHANNEL

**1240051**  
51" SS CHANNEL

**1241136** 36" OC CALF FRONT (24" LG)  
**1241142** 42" OC CALF FRONT (30" LG)  
**1241148** 48" OC CALF FRONT (36" LG)

**1241210A** PAIL HOLDER ONLY

**1275241**  
41" HINGE STRAP/  
HOOP SUITE

**1275251**  
51" HINGE STRAP/  
HOOP SUITE

**1240100**  
GALV 2-WAY LATCH ONLY  
20-620 - U-BOLTS 1 5/8" ID BOX/20  
(U-BOLTS NOT INCLUDED)

PART NUMBER	DESCRIPTION
2013030-72	10" HIGH PLANK X 72" LG
2013030-96	10" HIGH PLANK X 96" LG
2013130-72	TOP CAP X 72" LG
2013130-96	TOP CAP X 96" LG
CALFCARD-50	PKG OF 50 CALF SUITE RECORD CARDS
1235033	PLASTIC CALF PAIL (WHITE)

**1270100HDW**  
HDW PKG/HOOP SUITE INCL HANDLE

PART NUMBER	DESCRIPTION	QTY
124025A	HANDLE ONLY 5" I.D X 2.125" LG	1
1240221	ULTRASEAL EYEBOLT 3 3/4" LG	1
1270260	SQUARE U-BOLT US 1.75" ID X 3" LG 3/8	2
HP4	HAIR PIN (HP4)	1
BOL3/8 - 3H	+3/8 - 16 X 3 HEXBOLT US	2
BOL3/8 - 11/4H	+3/8 - 16 X 11/4 HEXBOLT US	2
NUT3/8FL	3/8" - 16 FLANGE NUT ULTRASEAL	2
NUT3/8LN	3/8" - 16 N.I. LOCK NUT, US	11
WAS3/8	+3/8" FLAT WASHER	7
BOL1/4 - 21/2HSS	1/4 - 20 X 2 - 1/2 SS HEX BOLT	6
NUT1/4LSS	1/4 - 20 N.I. LOCK NUT SS 304	7
1270101	2" X 2" GALV WASHER	2

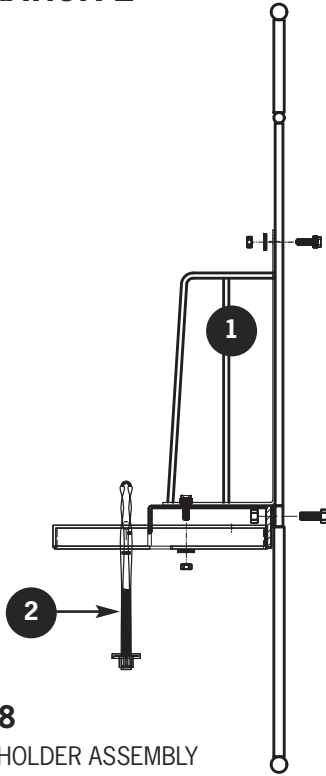
**1290136**  
33" OD CALF ARCH (36" OC)

**1290142**  
38" OD CALF ARCH (42" OC)

**1290148**  
45" OD CALF ARCH (48" OC)

# OPTIONAL ACCESSORIES

## ILLUSTRATION 2



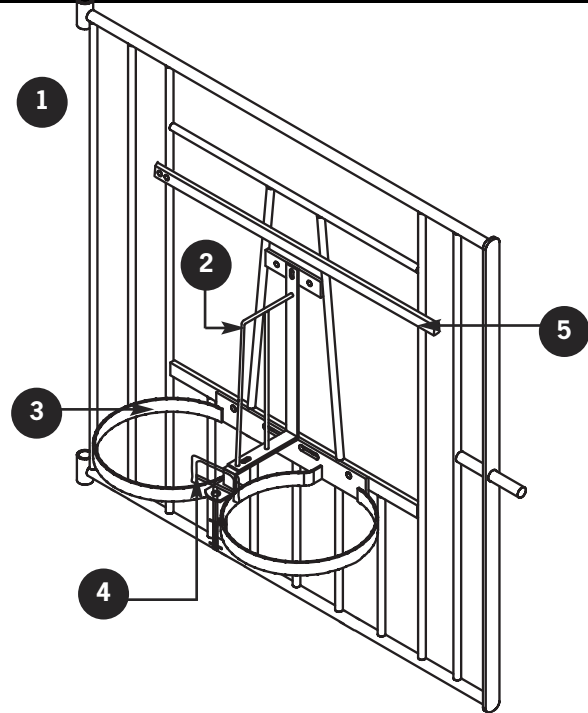
**1241148**

CALF PAIL HOLDER ASSEMBLY

ILLUS.	DESCRIPTION	PART #
1	1 PC STAINLESS STEEL PAIL DIVIDER + HDW	1241280SS-ND
2	CALF PAIL HOLD DOWN ASSEMBLY	1241011

## ILLUSTRATION 3

ILLUS.	DESCRIPTION	PART #	QTY
1	SW CALF FRONT	1241148	1
2	1 PC STAINLESS STEEL PAIL DIVIDER + HDW	1241280SS-ND	1
3	GALV. DBL PAIL HOLDER ONLY	1240210A	1
4	CALF PAIL HOLD DOWN ASSEMBLY	1241011	1
5	CALF HOLE REDUCER	1241120	1



## ONE PIECE STAINLESS PAIL DIVIDER (1241280SS-ND) (Item #1 in above diagram)

- Step #1:** Insert bolts through holes in pail holder.  
**Step #2:** Fasten nut and washer.

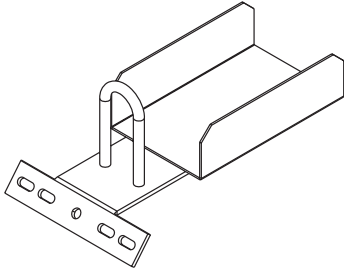
## SS CALF PAIL HOLD DOWN (NO ANGLE) (1241011) (Item #4 in above diagram)

- Step #1:** Remove nut washer and spring.  
**Step #2:** Install hold down through hole in pail holder.  
**Step #3:** Install spring, washer and nut.

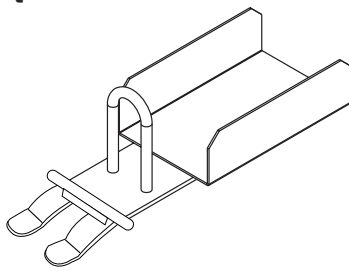


**REMEMBER TO PUT TWO WASHER SPACERS BETWEEN PAIL HOLDER & FRONT**

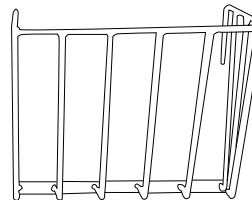
### 1240235-3 BOLT ON BOTTLE HOLDER



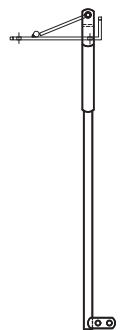
### 1241235 QUICK INSTALL BOTTLE HOLDER



### 1235030 HAY FEEDER



### 1240245PK MANUAL LOCK



Please visit [www.comfycalfsuites.com](http://www.comfycalfsuites.com) for more information on our Comfy Calf Suites and [www.canarm.com](http://www.canarm.com) for detailed information on all our Dairy and Ventilation products.

**CANARM LTD. - Corporate Office**  
 2157 Parkedale Ave., PO Box 367 Brockville, ON  
 Canada K6V 5V6  
 Tel: (613) 342-5424 Fax: 1-800-263-4598  
 E-Mail: [agsales@canarm.ca](mailto:agsales@canarm.ca)

[www.canarm.com](http://www.canarm.com)

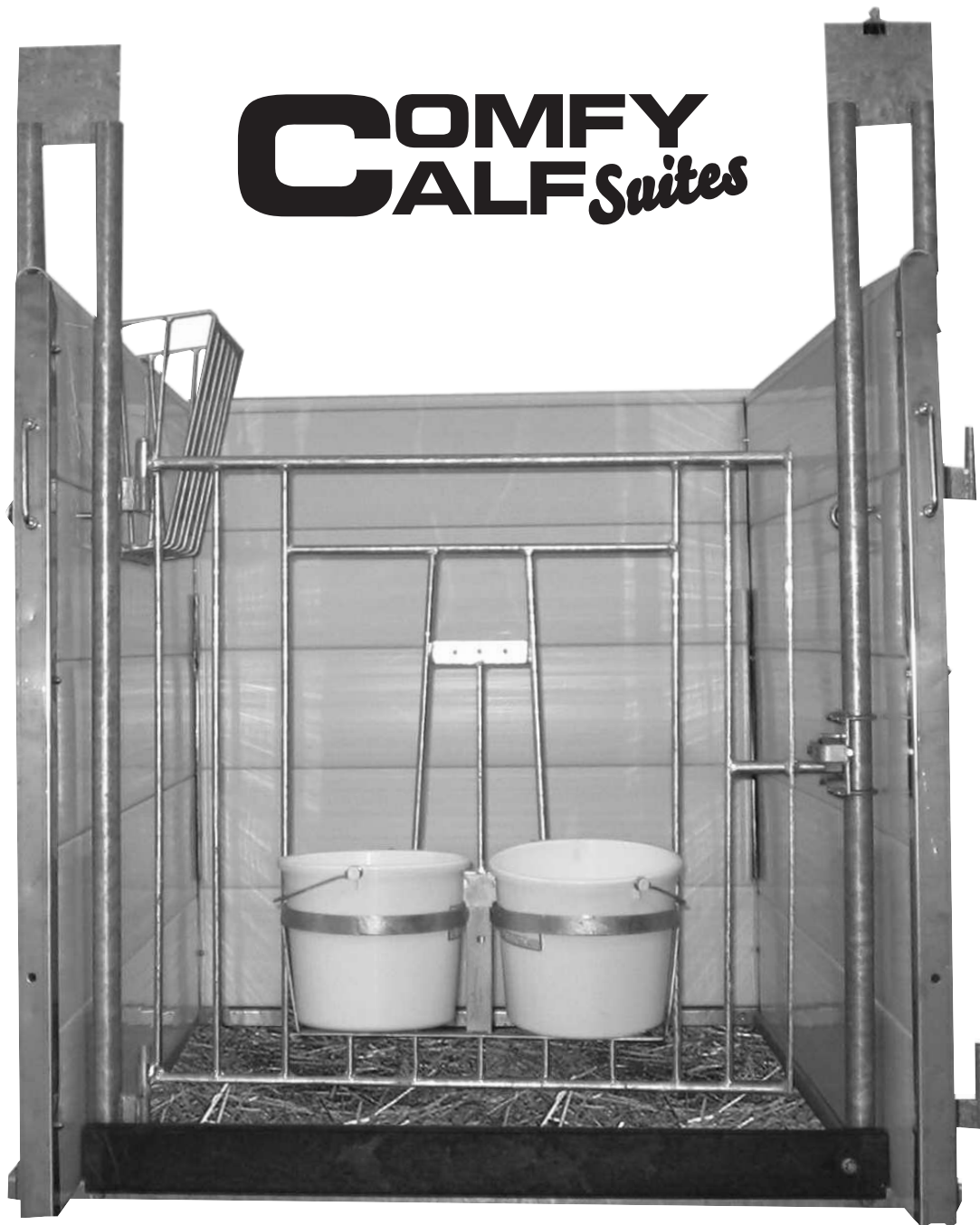
**CANARM LTD. - USA Warehouse**  
 808 Commerce Park Drive  
 Ogdensburg, New York, USA 13669  
 Tel: 1-800-267-4427 Fax: 1-800-263-4598

[www.comfycalfsuites.com](http://www.comfycalfsuites.com)

**Arthur Manufacturing Facility**  
 #7686 Concession 16, RR 4 Arthur, ON  
 Canada N0G 1A0  
 Tel: (519) 848-3910 Fax: (519) 848-3948  
 E-Mail: [agsales@canarm.ca](mailto:agsales@canarm.ca)

# POST STYLE COMFY CALF SUITES

## INSTALLATION INSTRUCTIONS



Installation or product problems? Call 1-800-260-5314

# COMFY CALF SUITES - POST STYLE

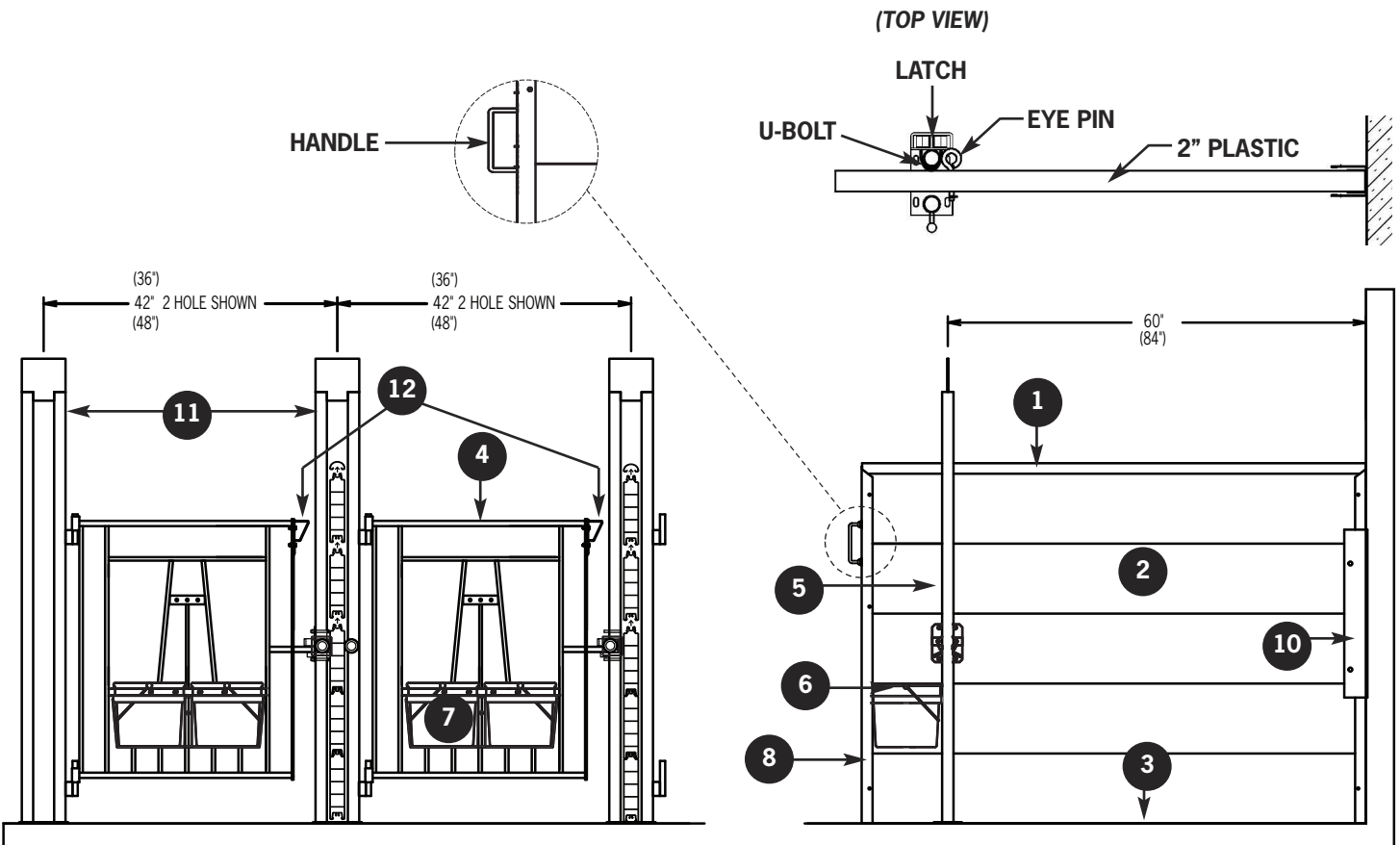


Congratulations on the purchase of Comfy Calf Suites! These instructions will guide you through the installation process and identify parts and accessories so please read through them and save them for future reference.

ILLUS.	DESCRIPTION	PART #
1	PLASTIC CAP 1.5" X 72" (OR 96" LG)	2013130-72 / 2013130-96
2	PLASTIC PLANK 10" X 72" LG (OR 96" LG)	2013030-72 / 2013030-96
3	BOTTOM PLUG / PLANK 20' LG (cut to size)	2013220
4	GALVANIZED 24" FRONT (2 HOLE) (36" OC PEN)	1241136
	GALVANIZED 30" FRONT (2 HOLE) (42" OC PEN)	1241142
	GALVANIZED 36" FRONT (2 HOLE) (48" OC PEN)	1241148
5	GALVANIZED 2-WAY CALF LATCH	1240100
6	GALVANIZED DBL PAIL HOLDER ONLY	1241210A
7	PLASTIC CALF PAIL (WHITE)	1235033
8	STAINLESS STEEL CALF CHANNEL (20 GA) 41" HIGH	1240041
	51" HIGH	1240051
9	HDW PKG (POST SUITE) INCL U-BOLT, EYE PIN & HANDLE	1240100HDW
10	STAINLESS STEEL 24" MOUNT CHANNEL / CALF SUITE	1240226
11	60" GALVANIZED DOUBLE CALF SUITE POST	1240200
12	CALF SUITE BOLT ON GAP FILLER	1240222

## ILLUSTRATION 1

### 9 1240100HDW HDW PKG (EYE PIN, U-BOLT & HANDLE)





## INSTALLATION:

**Step #1:** Install handle to front channel (2 flange nuts on outside and 2 nylon locks on inside of channel). **\*TIGHTEN\***. Snap planks together for dividers, install front and back channels, then snap on top cap. Drill through plastic with a 1/4" bit, then fasten channels with 1/4" x 2 1/2" hex bolts.

**Step #2:** Anchor front posts to floor and 24" SS channels to the back wall at EXACTLY 48"OC, 42"OC OR 36"OC to match your fronts.

**! TIP:** When mounting posts, note which way your gate will swing out for animal flow.  
**Note:** With our 2-way latch, you can always open gate into the pen.

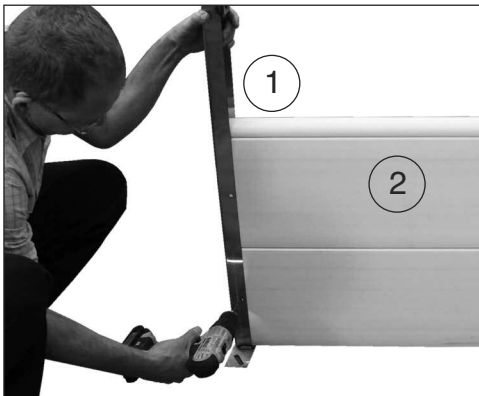
**Step #3:** Slide divider panel between double post and into the back channel. Drill 1/2" hole just behind the post and insert eye pin to keep the divider in place.

**Step #4:** Install front gate and block post up so it is level, then attach latch to post with 2 U-bolts.

**Step #5:** Install pail holder **with 2 washers per bolt between front and pail holder.**

**Step #6:** Install **OPTIONAL** accessories (shown on back page).

## VENTED BACK WALL INSTALLATION:

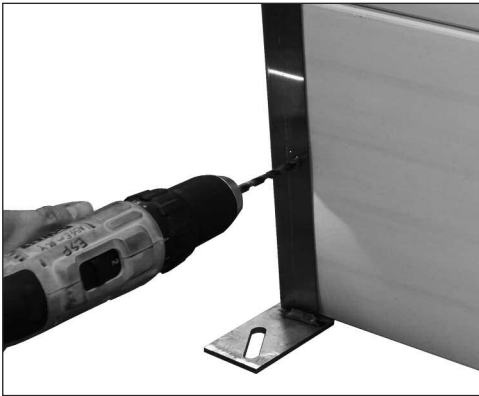


**Step #1:** Lag one channel post where you are starting your back wall.

**Step #2:** Snap together two back wall planks. Snap top cap on the planks.



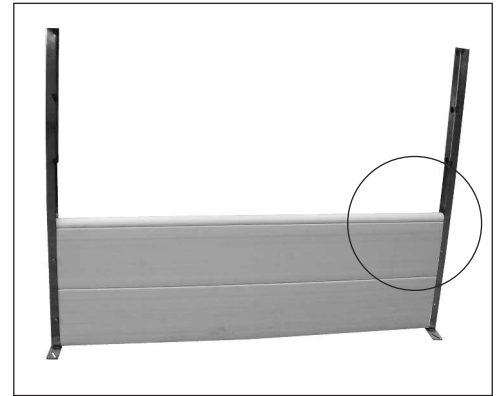
**Step #3:** Slide the planks into the channel post



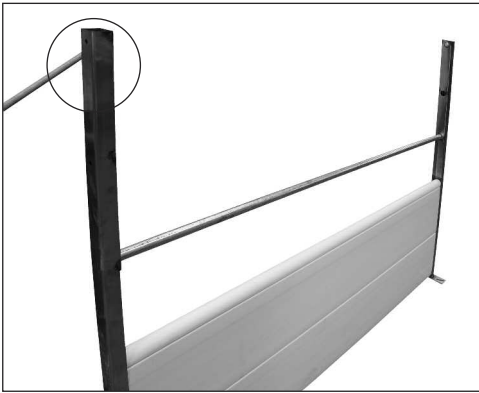
**Step #4:** Drill into plastic planks with 1/4" bit. (Make sure to start the hole coming from the front and the back. Don't try to go all the way through. You may not line the drill up with the hole on the backside.)



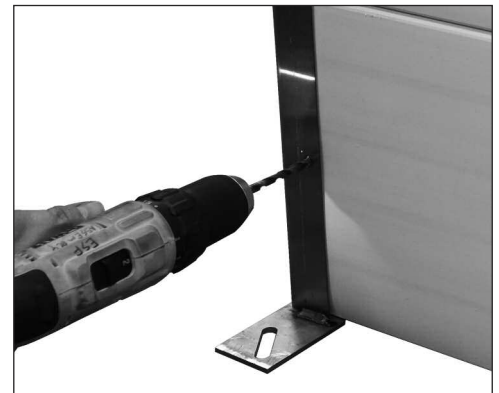
**Step #5:** Fasten 1/4" x 2 - 2 1/2" hex bolt and tighten.



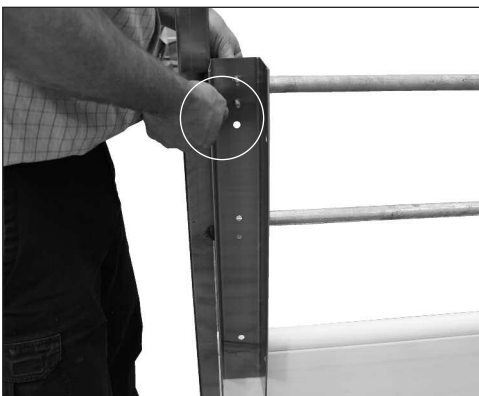
**Step #6:** Slide the other channel post on to the other end of the plank. (Do not fasten to post yet.)



**Step #7:** Slide the rails in the holes at the tip of the posts.



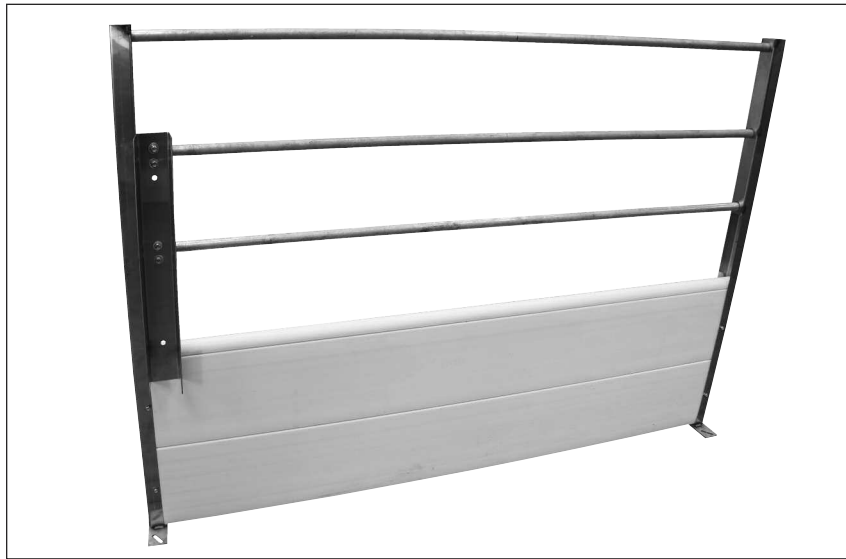
**Step #8:** Repeat step #4 and #5 and drill holes and fasten with bolts.



**Step #9:** Attach receiving channel with U-Bolts. (The channel should be attached to the bottom rails and on the inside of the calf suite)



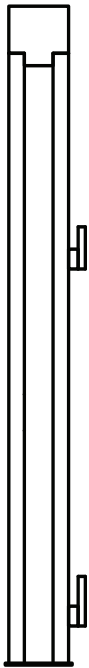
# FINISHED VENTED BACK WALL



## COMFY CALF SUITES - POST STYLE PARTS:

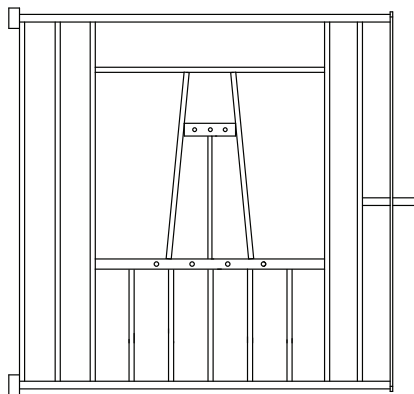
**1241120**

CALF HEAD HOLE REDUCER



**1240200**

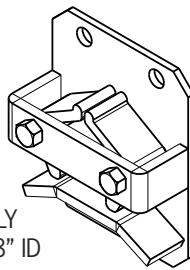
GALV 60" DBL POST BOLT DOWN



**1241136** 36" OC CALF FRONT (24" LG)

**1241142** 42" OC CALF FRONT (30" LG)

**1241148** 48" OC CALF FRONT (36" LG)



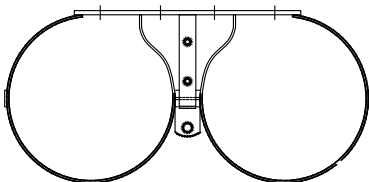
**1240100**

GALV 2-WAY LATCH ONLY  
20-620 - U-BOLTS 1 5/8" ID  
BOX/20  
(U-BOLTS NOT INCLUDED)



**1240041** 41" SS CHANNEL

**1240051** 51" SS CHANNEL



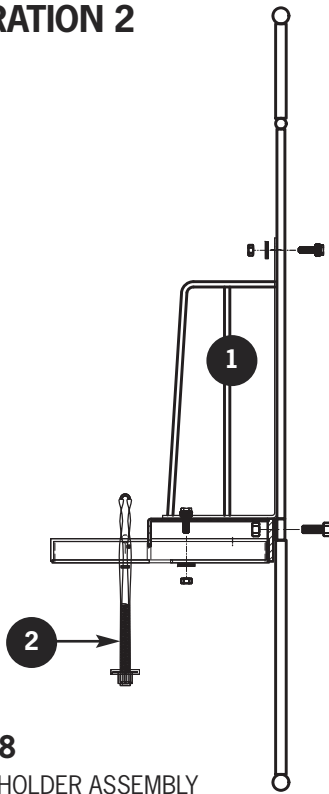
**1241210A** PAIL HOLDER ONLY

1240100HDW HDW PKG/POST SUITE INCL HANDLE		
PART NUMBER	DESCRIPTION	QTY
2060892	CARD HOLDER CLIP	1
1240250A	HANDLE ONLY 5" I.D. X 2.125" LG	1
20-6A	U-BOLT ONLY 1/75" IDX 2 9/16" L	2
1240221	ULTRASEAL EYEBOLT 3 3/4" LG	1
HP4	HAIR PIN (HP4)	1
BOL3 / 8-11 / 4H	+3/8 - 16 X 11/4 HEXBOLT US	2
NUT3 / 8FL	3/8" - 16 FLANGE NUT ULTRASEAL	2
NUT3 / 8LN	3/8 - 16 N.I. LOCK NUT, US	9
WAS3 / 8	+3/8" FLAT WASHER, US	4
BOL1 / 4 - 21 / 2HSS	1 / 4 - 20 X 2 - 1 / 2 SS HEXBOLT	6
NUT1 / 4LSS	1 / 4 - 20 N.I. LOCK NUT SS 304	7

PART NUMBER	DESCRIPTION
2013030-72	10" HIGH PLANK X 72" LG
2013030-96	10" HIGH PLANK X 96" LG
2013130-72	TOP CAP X 72" LG
2013130-96	TOP CAP X 96" LG
CALFCARD-50	PKG OF 50 CALF SUITE RECORD CARDS
1235033	PLASTIC CALF PAIL (WHITE)

# OPTIONAL ACCESSORIES

## ILLUSTRATION 2

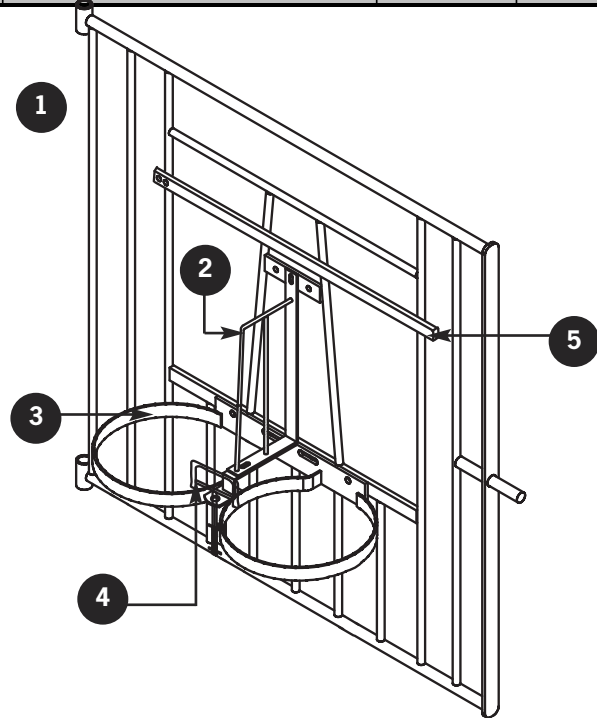


**1241148**  
CALF PAIL HOLDER ASSEMBLY

ILLUS.	DESCRIPTION	PART #
1	1 PC STAINLESS STEEL PAIL DIVIDER + HDW	1241280SS-ND
2	CALF PAIL HOLD DOWN ASSEMBLY	1241011

## ILLUSTRATION 3

ILLUS.	DESCRIPTION	PART #	QTY
1	SW CALF FRONT	1241148	1
2	1 PC STAINLESS STEEL PAIL DIVIDER + HDW	1241280SS-ND	1
3	GALV. DBL PAIL HOLDER ONLY	1240210A	1
4	CALF PAIL HOLD DOWN ASSEMBLY	1241011	1
5	CALF HOLE REDUCER	1241120	1



### ONE PIECE STAINLESS PAIL DIVIDER (1241280SS-ND) (Item #1 in above diagram)

- Step #1:** Insert bolts through holes in pail holder.  
**Step #2:** Fasten nut and washer.

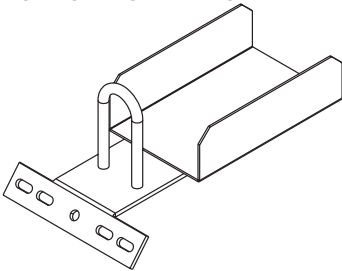
### SS CALF PAIL HOLD DOWN (NO ANGLE) (1241011) (Item #4 in above diagram)

- Step #1:** Remove nut washer and spring.  
**Step #2:** Install hold down through hole in pail holder.  
**Step #3:** Install spring, washer and nut.

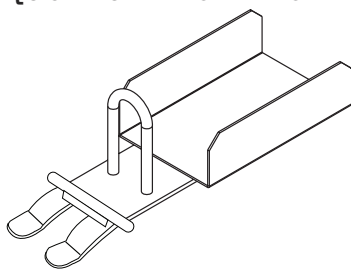


**REMEMBER TO PUT TWO WASHER SPACERS BETWEEN PAIL HOLDER & FRONT**

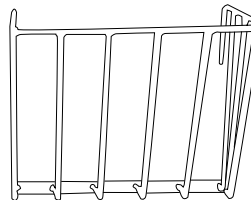
**1240235-3**  
BOLT ON BOTTLE HOLDER



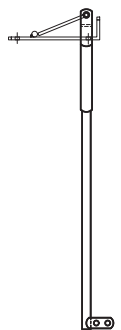
**1241235**  
QUICK INSTALL BOTTLE HOLDER



**1235030**  
HAY FEEDER



**1240245PK**  
MANUAL LOCK



Please visit [www.comfycalfsuites.com](http://www.comfycalfsuites.com) for more information on our Comfy Calf Suites and [www.canarm.com](http://www.canarm.com) for detailed information on all our Dairy and Ventilation products.

**CANARM LTD. - Corporate Office**  
 2157 Parkedale Ave., Brockville, ON  
 Canada K6V 5V6  
 Tel: (613) 342-5424 Fax: 1-800-263-4598  
 E-Mail: [agsales@canarm.ca](mailto:agsales@canarm.ca)

[www.canarm.com](http://www.canarm.com)

**CANARM LTD. - USA Warehouse**  
 808 Commerce Park Drive  
 Ogdensburg, New York, USA 13669  
 Tel: 1-800-267-4427 Fax: 1-800-263-4598

[www.comfycalfsuites.com](http://www.comfycalfsuites.com)

**Arthur Manufacturing Facility**  
 #7686 Concession 16, RR 4 Arthur, ON  
 Canada NOG 1A0  
 Tel: (519) 848-3910 Fax: (519) 848-3948  
 E-Mail: [agsales@canarm.ca](mailto:agsales@canarm.ca)