

NOTES:

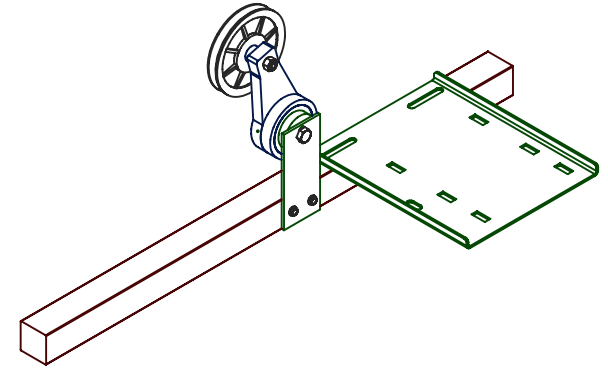
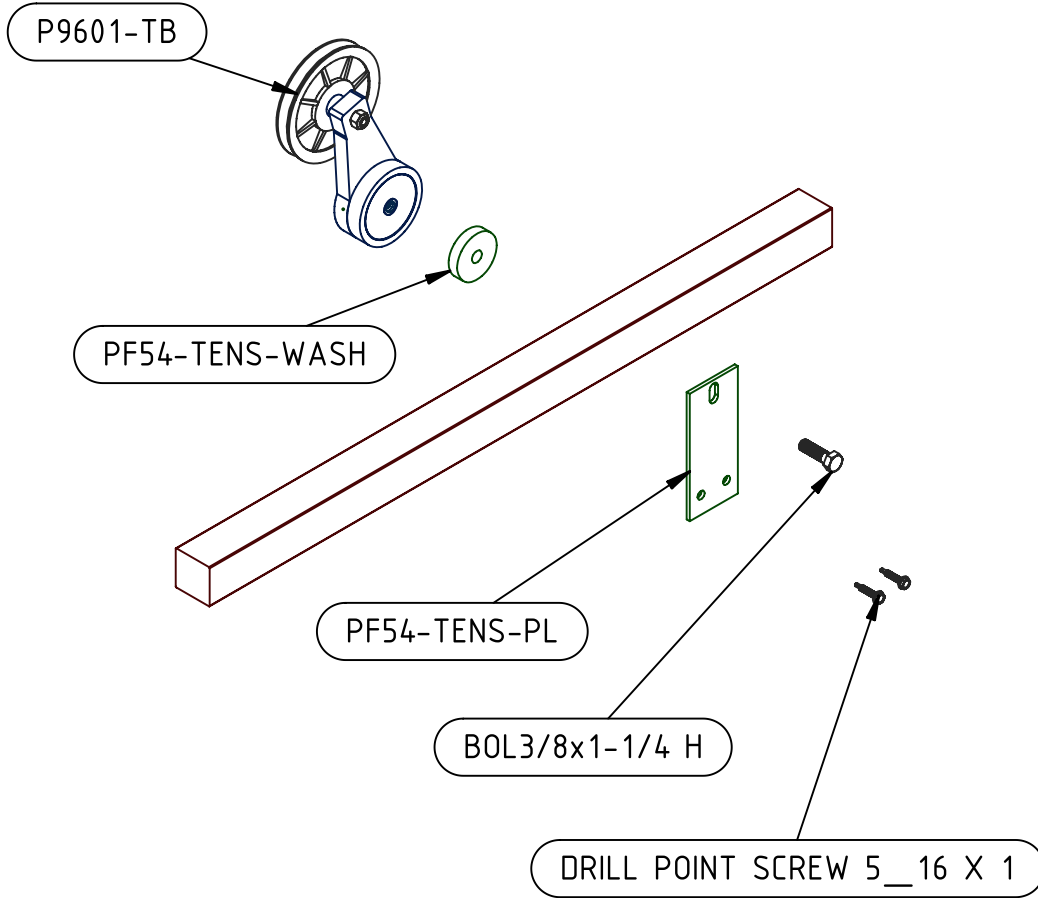
REV DESC.

REVISION HISTORY

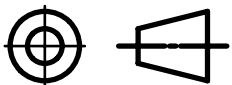
MODIFIED BY

DATE
9/2/2020 1:36:57 PM

CHECKED



THIRD ANGLE PROJECTION



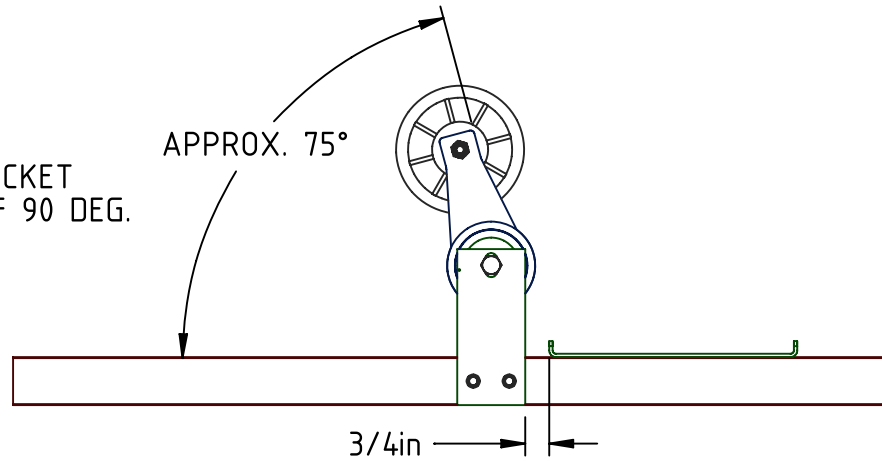
MATERIAL TYPE	Unknown Material
FINISH	-
CURRENT REVISION	-

INIT	DATE
C.R.	8/20/2020 9:29:46 AM

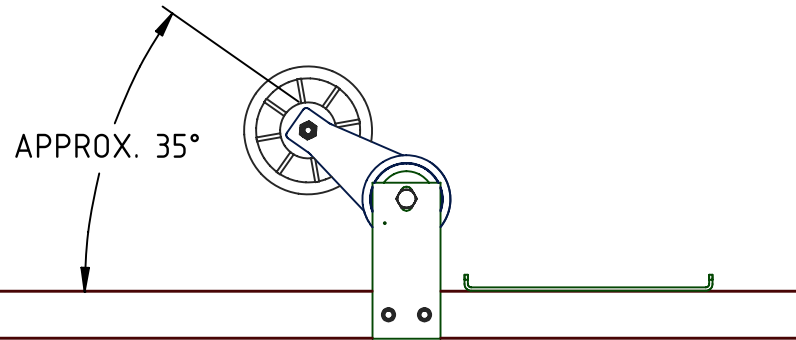
PART DESC		STD. TOLERANCES: [+1/16" / -1/16"]	Unless Otherwise Specified All Drawing Units are In INCHES
INSTALL GUIDE FOR PF54 TENSION BRACKET			
DWG NO.		PF54-TENSKIT Install Guide	

INSTRUCTIONS FOR BLUE POLY BLADE

INSTALL TENSION BRACKET
LEANING SLIGHTLY OFF OF 90 DEG.



TENSION PLATE SHOULD BE 3/4"
AWAY FROM THE MOTOR MOUNT PLATE



ONCE INSTALLED, PUSH TENSION BRACKET DOWN
TO PUT BELT ONTO PULLEY WHEEL



PUTTING INNOVATION TO WORK

PART DESC

INSTALL GUIDE FOR PF54 TENSION BRACKET

DWG NO.

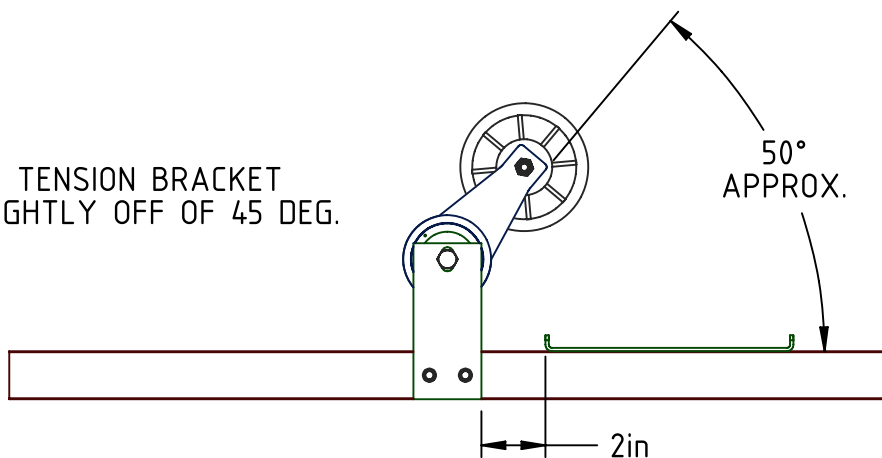
PF54-TENSKIT Install Guide

STD. TOLERANCES:
[+1/16" / -1/16"]

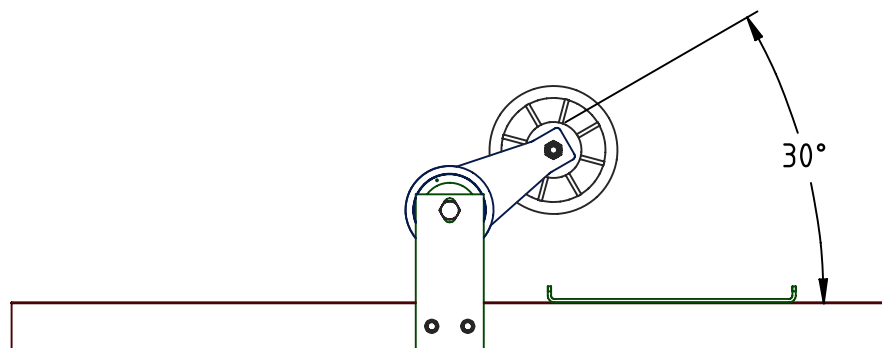
Unless Otherwise Specified
All Drawing Units are In
INCHES

INSTRUCTIONS FOR SS BLADE

INSTALL TENSION BRACKET
LEANING SLIGHTLY OFF OF 45 DEG.



TENSION PLATE SHOULD BE 2"
AWAY FROM THE MOTOR MOUNT PLATE



ONCE INSTALLED, PUSH TENSION BRACKET DOWN
TO PUT BELT ONTO PULLEY WHEEL



PUTTING INNOVATION TO WORK

PART DESC

INSTALL GUIDE FOR PF54 TENSION BRACKET

DWG NO.

PF54-TENSKIT Install Guide

STD. TOLERANCES:
[+1/16" / -1/16"]

Unless Otherwise Specified
All Drawing Units are In
INCHES