



LED DIMMER CONTROL

QUESTIONS OR CONCERNS

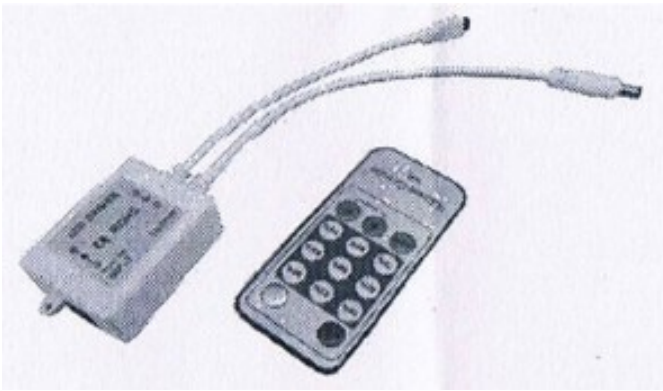
CONTACT CANARM AT:

1-800-265-1833 (English) – 1-800-567-2513 (French)
Monday through Friday 8:00 AM to 5:00PM E.S.T.

WARNING

RISK OF ELECTRIC SHOCK

- Turn power off before servicing - see instructions.
- INDOOR USE ONLY
- Ensure that no bare wires are exposed outside the electrical connections.



LED Dimmer Control with IR remote:

Voltage: 5V, 12V, 24V

Size: 88 X 65 X 40mm

Remote Distance: 5-10 m

Current: 5A

Battery: CR2025, 3V

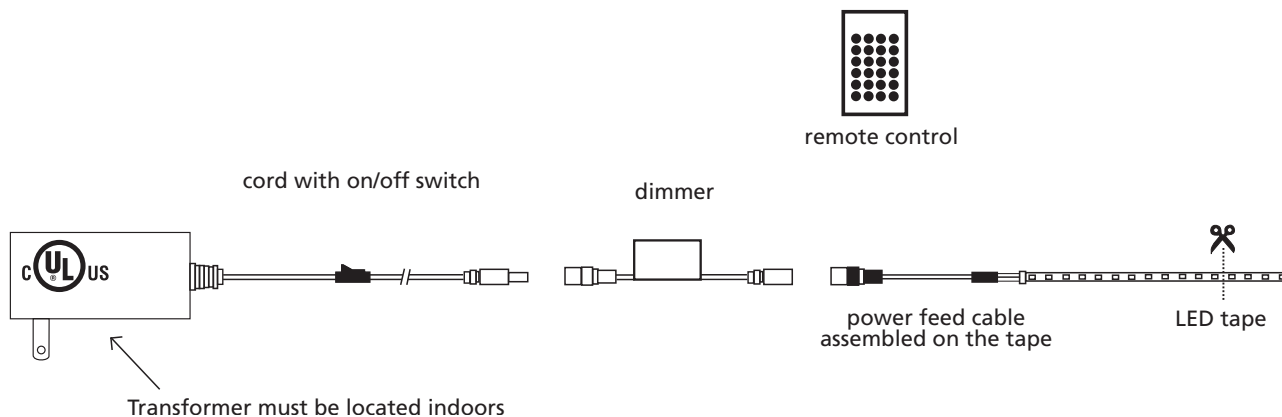
Output Power: 5V – 30W, 12V – 72W, 24V – 14W

Maximum Wattage: 72W

FOR USE WITH CANARM SMD3528 & SMD5050 LED FLEXIBLE TAPE

1. Connect the LED Dimmer Control between the power feed cable on the LED flexible tape and the power cord with on/off switch.

See diagram for placement.



Turn on switch in cord, now your remote is ready to use.

IR (Infrared) Remote Control settings

The red button on remote control: on/off

Remote control 10%-90% button: brightness options

Flash: dynamic flash button, adjustable speed

+/- function keys: With a static turn the brightness up & turn the brightness down.

With a dynamic turn the speed up & turn the speed down.

ONE YEAR LIMITED WARRANTY

The manufacturer warrants this product to be free from defects in workmanship and material present at time of shipment from the factory for one year from the date of purchase. This warranty applies only to the original purchaser. The manufacturer agrees to correct such defect at no charge or at our option replace the product with a comparable or superior model.

Any damage to the product by accident, misuse or improper installation, or by affixing accessories not produced by the manufacturer, is the purchaser's responsibility. The manufacturer assumes no responsibility whatsoever for product installation during the warranty period. There is no further expressed warranty. The manufacturer disclaims any and all implied warranties. The manufacturer shall not be liable for incidental, consequential or special damages arising at or in connection with product use or performance except as may otherwise be accorded by law. This warranty gives you specific legal rights and you may also have other rights which vary from province to province. This warranty supersedes all prior warranties.

Imported By: CANARM LTD., 2157 Parkedale Ave., P.O. Box 367,
Brockville Ontario, K6V 5V6 • Tel: (613) 342-5424, FAX: (613) 342-8437