



# PENDANT LIGHT

IPL575A01  
11/14

QUESTIONS OR CONCERNS CONTACT CANARM AT:  
1-800-265-1833 (English) 1-800-567-2513 (French)  
Monday through Friday 8:00 AM to 5:00 PM E.S.T.



INSTRUCTIONS PERTAINING TO RISK OF FIRE OR INJURY TO PERSONS  
READ ALL INSTRUCTIONS

## IMPORTANT SAFETY INSTRUCTIONS

### SAVE THESE INSTRUCTIONS

#### TOOLS AND MATERIALS REQUIRED:



Phillips Screwdriver



Wire Cutters



Pliers



Wrench

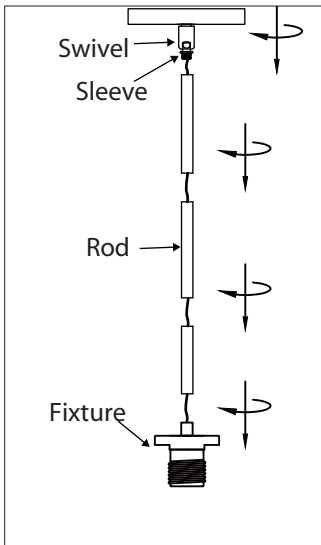
Wiring supplies as required by the Canadian Electrical Code and/or the Quebec Electrical code

#### SAFETY PRECAUTIONS:

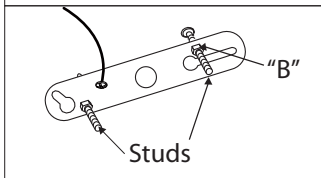
1. TURN OFF ELECTRICAL POWER BEFORE STARTING INSTALLATION OF LIGHT FIXTURE.
2. THIS PRODUCT MUST BE INSTALLED IN ACCORDANCE WITH THE APPLICABLE INSTALLATION CODE BY A PERSON FAMILIAR WITH THE CONSTRUCTION AND OPERATION OF THE PRODUCT AND THE HAZARDS INVOLVED.
3. CONNECT THE GROUND WIRES (BARE COPPER OR GREEN) FROM YOUR FIXTURE TO THE GROUND WIRE (BARE COPPER OR GREEN) OR GROUND SCREW IN THE ELECTRICAL OUTLET BOX.

**NOTE: Product May Not Look Exactly As Shown In Figures.**

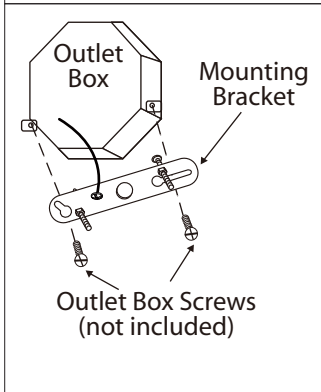
#### INSTALLATION:



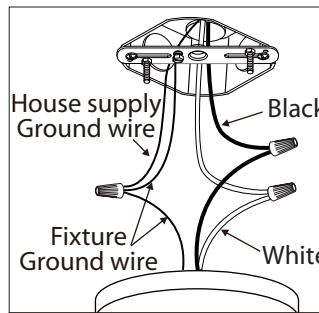
**1.** Install the length of rod that is required by threading wire through the rod and screwing it to the fixture. Install swivel to the rod, ensuring that the sleeve is at the swivel.



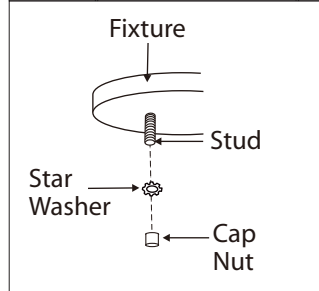
**2.** Loosen "B". Adjust stud to desired length and lock in place with "B"



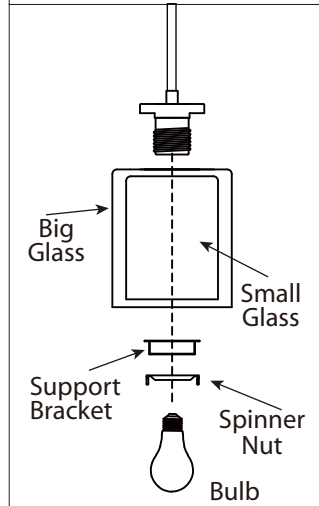
**3.** Mount the mounting bracket to outlet box using outlet box screws (not included). Make sure the studs on the mounting bracket are facing out from the outlet box.



**4.** Connect the ground wires (bare copper or green) from your fixture to the ground wire (bare copper or green) or ground screw in the electrical outlet box. Connect the black wire (or wire with marking) from the fixture to the black wire in the electrical box and connect the white wire from the fixture to the white wire in the electrical box.



**5.** Once connections of wires are completed, carefully tuck wires and wire nuts into the outlet box making sure no bare wire (on the black and white) is visible at the wire nuts.



**6.** Position fixture over studs on mounting bracket assembly. Secure fixture in place with star washer(s) and cap nut(s).

**7.** Remove spinner nut and support bracket from socket. Place the big glass over the small glass, and slide them over the socket on the fixture. Using the support bracket and spinner nut to secure them in place.

**8.** Install specified bulb type and wattage (not included).