

SECURITY LIGHT



NEED HELP?
Call or Email us first

Our service team is ready to answer your questions...
1-800-265-1833 (English) / 1-800-567-2513 (French)
IN CANADA - ressalescanada@canarmna.ca - IN USA - ressalesusa@canarmna.ca

Monday – Friday
8 AM – 5 PM E.S.T.



INSTRUCTIONS PERTAINING TO RISK OF FIRE OR INJURY TO PERSONS
READ ALL INSTRUCTIONS

**IMPORTANT SAFETY
INSTRUCTIONS**
SAVE THESE INSTRUCTIONS

TOOLS AND MATERIALS REQUIRED:



Phillips
Screwdriver



Wire Cutters



Pliers



Wrench

Wiring supplies
as required by
local electrical
code

SAFETY PRECAUTIONS:

1. TURN OFF ELECTRICAL POWER BEFORE STARTING INSTALLATION OF LIGHT FIXTURE.
2. WIRING SUPPLIES AS REQUIRED BY LOCAL ELECTRICAL CODE.
3. THIS PRODUCT MUST BE INSTALLED IN ACCORDANCE WITH THE APPLICABLE INSTALLATION CODE BY A PERSON FAMILIAR WITH THE CONSTRUCTION AND OPERATION OF THE PRODUCT AND THE HAZARDS INVOLVED.
4. TO CLEAN THE FIXTURE, TURN OFF THE POWER, WAIT FOR IT TO COOL, AND WIPE THE FIXTURE WITH A CLEAN, SOFT CLOTH.

NOTE: Product may not look exactly as shown in figures.

INSTALLATION STEPS:

1. Attach crossbar to the Junction box using two mounting screws.

2. Thread the fixture wire through the gasket. Connect the wires: Black to Black, White to White, Green to Green. Secure the connection with wire nuts.

3. Once the wires are connected, ensure to push back all the wire nuts into the Junction box.

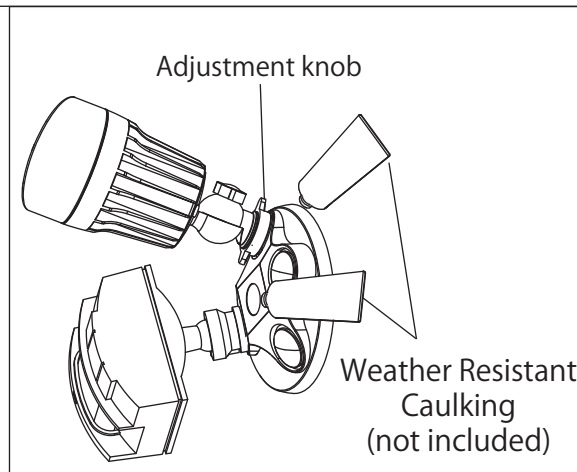
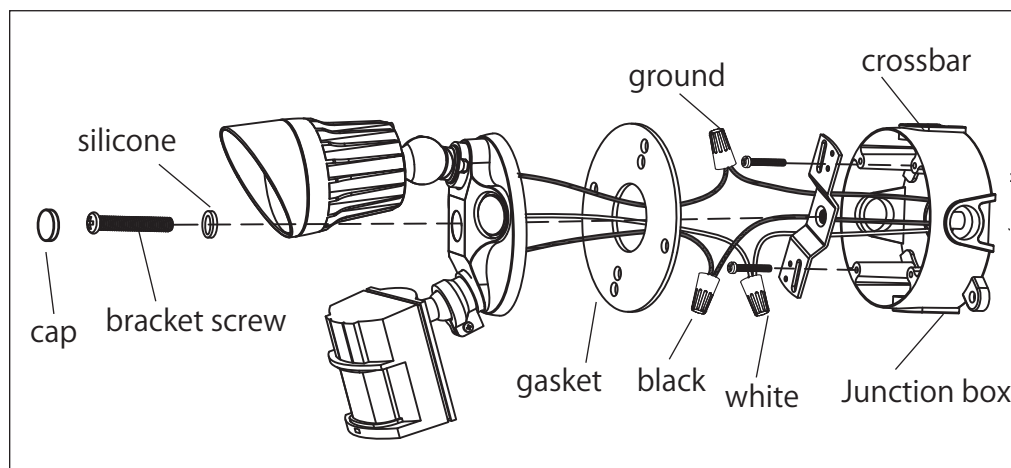
4. Drive the bracket screw with silicone through the center hole of the fixture base to the crossbar and secure by tightening it.

5. Lose the knob and adjust the direction of the fixture needed, then secure the knob.

6. After installation, seal around the top and side perimeter between the fixture and the wall surface with weather resistant caulking. The bottom should be left un-caulked to prevent moisture build-up.

Apply a small amount of weather resistant caulking around the side perimeter between the screw head and mounting plate.

Put the cap into the screw hole.



NEED HELP?
Call or Email us first

Our service team is ready to answer your questions...
1-800-265-1833 (English) / 1-800-567-2513 (French)
IN CANADA - ressaescanada@canarmna.ca - IN USA - ressaesusa@canarmna.ca

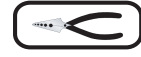
Monday – Friday
8 AM - 5 PM E.S.T.



TOOLS AND MATERIALS REQUIRED:



Phillips
Screwdriver



Wire Cutters



Pliers



Wrench

Wiring supplies
as required by
local electrical
code

MOTION SENSOR SETTINGS

Please read this carefully and save it, as it may be needed at a later date.

After installing your motion activated light, you are ready to set-up the motion sensor. Make sure the wall switch is on.

Sensor has two selectable modes:

Mode is selected by positioning switch beneath desired mode

1. On-time – Switch the TIMES/TEST switch in the TEST position to disable the photocell and allow light to come on during daylight hours.
2. RANGE - Rotate the RANGE knob fully clockwise to maximum RANGE(20-70ft).

MANUAL OVERRIDE -To disable the motion sensor and keep the light continuously on for the night, flip the wall switch off for 3 seconds and then back on. To reset to Security mode, flip the switch off again for 3 seconds and then back on.

If you leave the light on all night it will automatically turn off at dawn and reset to Security mode.

NOTE: If you get confused while switching modes, turn the power at the breaker or walls witch off for one minute, then back on. After the calibration time, the control will be in the Security mode.

