

However, there is no guarantee that interference will not occur in a particular installation. If this equipment does cause harmful interference to radio or television reception, which can be determined by turning the equipment off and on, the user is encouraged to try to correct the interference by one or more of the following measures:

- Reorient or relocate the receiving antenna.
- Increase the separation between the equipment and receiver.
- Connect the equipment into an outlet on a circuit different from that to which the receiver is connected.
- Consult the dealer or an experienced radio/TV technician for help.

CAUTION:

Any changes or modifications not expressly approved by the grantee of this device could void the user's authority to operate the equipment. This device complies with Part 15 of the FCC Rules. Operation is subject to the following two conditions: (1) This device may not cause harmful interference, and (2) this device must accept any interference received, including interference that may cause undesired operation.

This device contains licence-exempt transmitter(s)/receiver(s) that comply with Innovation, Science and Economic Development Canada's licence-exempt RSS(s). Operation is subject to the following two conditions:

1. This device may not cause interference.
2. This device must accept any interference, including interference that may cause undesired operation of the device.

5 YEAR LIMITED WARRANTY

"Thank you" for purchasing our product. It is our policy to furnish you with high quality products at a fair price. With proper installation your fan should provide you with years of money saving comfort.

This fan is guaranteed to be free from defects in workmanship and Material for a period of five (5) years from date of purchase. Within the first (1) year from date of purchase any defective product should be returned to your **RETAIL OUTLET** along with proof of purchase. For the balance of the warranty, four (4) years, the **MOTOR WINDINGS ONLY** shall be free of defects. We will correct such defects or replace the motor assembly at our option if the product is returned, **FREIGHT PREPAID**, to us. The returned fan must be accompanied by your proof of purchase and a cheque for \$20.00 for handling and labour charges. All costs of removing and re-installing the product are **YOUR RESPONSIBILITY** damage to any part as such by accident, misuse, improper installation or by affixing any accessories **IS NOT** covered by this warranty. As a result of varying climatic conditions in our area this warranty does not cover any changes in finishes, including rusting, pitting, corroding, tarnishing or peeling.

WARRANTY VOID: In cases of alteration, abuse, installation not in accordance with instructions or REMOVAL of the CSA Sticker.

11/16

CF-5C
07/21



NEED HELP?

Call or Email us first

Our service team is ready to answer your questions...

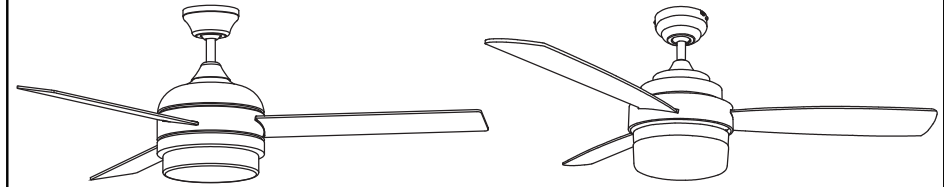
1-800-265-1833 (English) / 1-800-567-2513 (French)

Monday – Friday
8 AM - 5 PM EST.

IN CANADA - resalescanada@canarmna.ca - IN USA - resalesusa@canarmna.ca

INSTALLATION INSTRUCTIONS

DUAL MOUNT SERIES



INSTRUCTIONS PERTAINING TO RISK OF FIRE OR INJURY TO PERSONS
READ ALL INSTRUCTIONS



IMPORTANT SAFETY INSTRUCTIONS

SAVE THESE INSTRUCTIONS

INSTALLATION AND WIRING TO BE IN ACCORDANCE WITH CEC,
NEC, LOCAL ELECTRICAL CODES and ANSI/NFPA 70.

Consult a qualified electrician if you are not familiar with wiring.

TOOLS AND MATERIALS REQUIRED

- Philips Screw Driver
- Blade Screw Driver
- Step Ladder
- Wire Cutters
- Wiring supplies as required by electrical code.

NOTE: FOR OPTIMUM QUIETNESS, FULLY ASSEMBLE FAN AND RUN 24 HOURS

2157 Parkedale Ave.,
Brockville, Ontario
K6V 5V6
PH: (613) 342-5424
FX: (613) 342-8437

2555 Rue Bernard
Lefebvre Laval, Quebec
H7C 0A5
PH: (450) 665-2535
FX: (450) 665-0910

SAFETY PRECAUTIONS

1. Turn off power at main electrical service box before starting installation
2. Electrical connections must comply with local code ordinances, national electrical codes, CEC, NEC and ANSI/NFPA 70.
3. Make sure the installation site you choose allows the fan blades to rotate freely without any obstructions.
4. When mounting the fan on a ceiling outlet box, Use an approved (CSA for Canada and UL for U.S.) ceiling fan box marked "**FOR FAN SUPPORT**". Ensure the outlet box is securely installed in place such that it is able to support at least the fan weight.
5. **WARNING:** To reduce the risk of fire, electric shock, or other personal injury, mount fan only on an outlet box or supporting system marked acceptable for fan support of 35 lbs (15,9 kg) or less and use the mounting screws provided with the outlet box. Most outlet boxes commonly used for the support of lighting fixtures are not acceptable for fan support and may need to be replaced. Consult a qualified electrician if in doubt.
6. Total Fan Weight For Reference: 48"approximate 8.0 kgs(17.63lbs), 52"approximate 9.0 kgs(19.84lbs).

WARNING

- To reduce the risk of fire or electrical shock, ONLY use model CQ005 remote control for optional remote control adaptability.
- **WARNING: TO REDUCE THE RISK OF FIRE, ELECTRIC SHOCK, OR PERSONAL INJURY, MOUNT TO OUTLET BOX MARKED ACCEPTABLE FOR FAN SUPPORT AND USE MOUNTING SCREWS PROVIDED WITH THE OUTLET BOX.**
- Mount with the lowest moving parts at least 2.10 Meters (7 Feet) above floor or grade level.
- **DO NOT** operate reversing switch while fan blades are in motion. Fan be turned off and rotating blades stopped, reverse chain pulled, the speed must chain pulled again to start in the opposite direction.
- **WARNING: TO REDUCE THE RISK OF INJURY TO PERSONS, ENSURE THE FAN LOWER COVER IS SECURELY ATTACHED ON THE FAN UPPER COVER BEFORE USE.**

INSTRUCTIONS

The slide switch is for forward/reverse rotation.

In cold weather: Set to reverse rotation (clockwise). Airflow will be directed upward, circulating warm air.

In warm weather: Set to forward rotation (counter-clockwise). Airflow will be directed downward, circulating cold air.

REMOTE CONTROL

Install DC1.5V/AAA*2pcs battery (not included).Operation buttons on the remote:

HI : Turn on the fan at high speed

MED : Turn on the fan at medium speed

LOW : Turn on the fan at low speed

OFF : Turn off the ceiling fan

LIGHT ON/OFF: Press and release immediately to turn on or off the light.

DIMMER- Press and hold to dim or brighten lights to the desired level

and release. (Incandescent light bulbs or dimmable LED bulb only).

*Hold down to increase or decrease the light.

The light has a memory function so the light will stay at the same brightness as the last time it was turned off.

TROUBLESHOOTING

TROUBLE

SUGGESTIONS

1. Fan will not start
 - Check wiring connections to fan.
 - Check fuses and circuit breakers.
 - Check wiring connections in switch housing.
 - CAUTION: Turn power off for last two items.**
2. Fan sounds noisy
 - Check to make sure that all screws in motor housing are snug.
 - Check to make sure that blade bracket screws are tight.
 - Check to make sure that marrettes in switch housing are not rattling against wall of switch housing.
 - If fan has a light kit make sure switch housing screws and set screws are tight.
 - Some fan motors are sensitive to signals from solid state variable controls. If solid state controller is used, change to an alternative control. (See a representative for a list of available controls.)
 - Allow a 24 hour break in period to eliminate most noises.
3. Fan wobbles or shakes excessively.
 - Check that all blades are screwed firmly into blade brackets.
 - Check that blade brackets are secured firmly to motor.
 - Check distance from tip of blades to ceiling.
 - Check distance between blade tip to blade tip. All measurements should be equal. Loosen blade screws and position blade until even then re-tighten.
 - Check that the downrod hemisphere notch is engaged in canopy
 - Check to make sure that jam screws in downrod are tightened.
 - Make sure canopy and mounting bracket are tightened securely to wooden joist.
 - Make sure warpage has not occurred in wooden blades. If so, contact the customer service department for replacement parts.

Supplier's Declaration of Conformity 47 CFR § 2.1077 Compliance Information

Unique Identifier: CANARMNA

Responsible Party

CanarmInc.

709 East Main Street, Teutopolis, Illinois, USA 62467

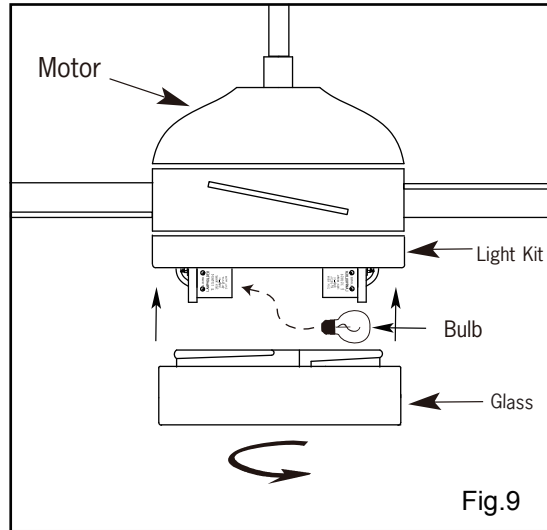
1.800.267.4427

This equipment has been tested and found to comply with the limits for a Class B digital device, pursuant to Part 15 of the FCC Rules. These limits are designed to provide reasonable protection against harmful interference in a residential installation. This equipment generates, uses and can radiate radio frequency energy and, if not installed and used in accordance with the instructions, may cause harmful interference to radio communications.

7. LIGHT ASSEMBLY

- Install proper wattage and type of bulb identified on light housing or shade.
- Place glass onto the fan and turn to secure.

WARNING: BE SURE TO TURN OFF POWER BEFORE INSTALLING

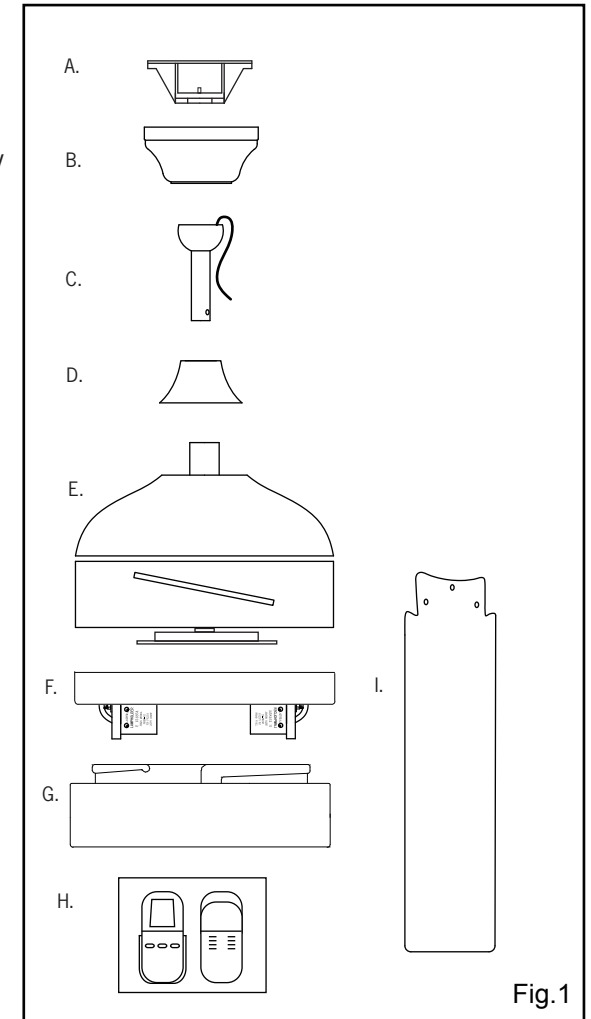


WARNING: Ensure that all connections, set screws and screws are securely tightened before the next step.

To clean the fixture, turn off the power, wait for it to cool, and wipe the fixture with a clean, soft cloth.

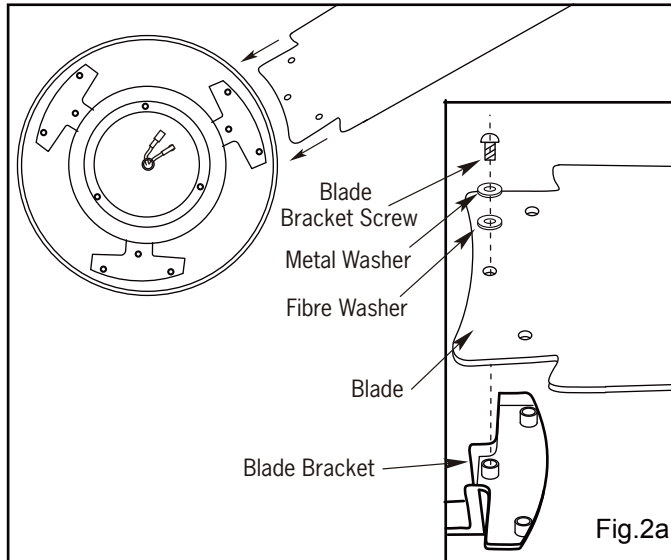
ASSEMBLY DRAWING

- A. Mounting Bracket
- B. Canopy
- C. Downrod Assembly
- D. Yoke Cover
- E. Fan Motor Assembly
- F. Light Kit
- G. Glass
- H. Remote Control
- I. Fan Blade

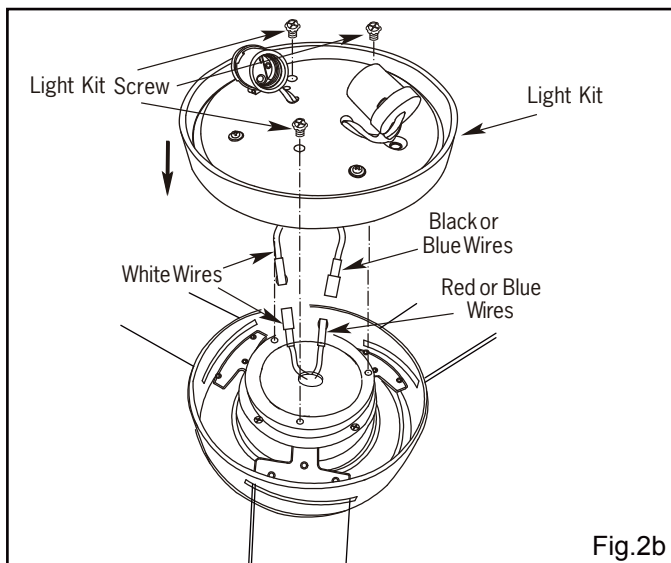


1. ATTACH THE FAN BLADES

- Attach the blades to the fan motor assembly using the screws and flat washers.

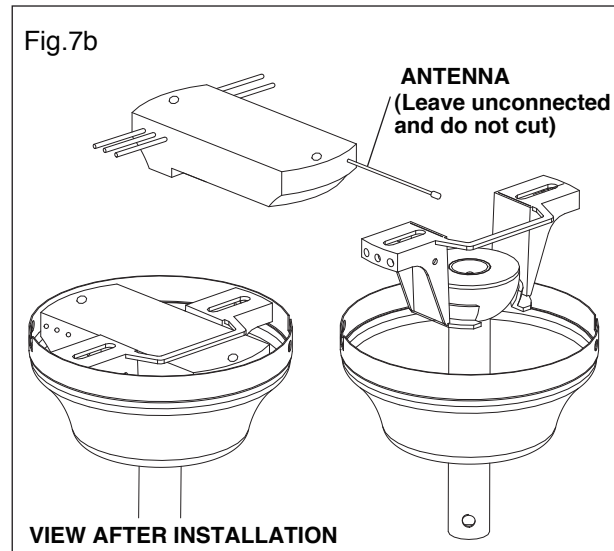


- Connect polarized connectors of light kit to corresponding connectors found in switch housing.
- Install the light kit to the fan motor assembly by tightening three screws



4. ELECTRICAL HOOK-UP

C



5.

MOUNTING FAN ASSEMBLY

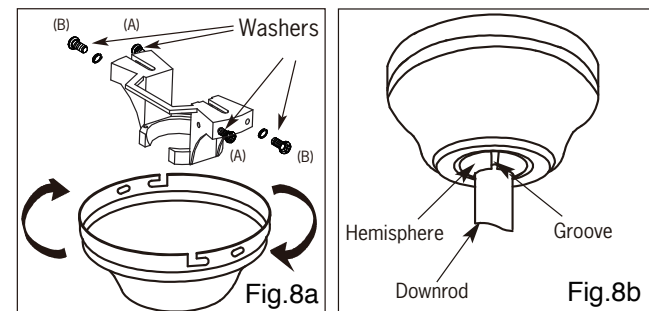
- Place two screws and washers on mounting plate (marked B on diagram) which correspond with slots in canopy. Screw in two turns.
- Position canopy to mounting plate aligning slots to screws (marked B on diagram) then turn to lock.
- Position and tighten the two screws and washers (marked A on diagram) then tighten the two screws (marked B on diagram).

6.

ENGAGE HEMISPHERE (Downrod Mount Only)

- Carefully rotate fan assembly until groove in hemisphere locks over tab of canopy assembly.

WARNING: Failure to seat tab in groove could cause damage to electrical wires and possible shock or fire hazard.



NOTE: When installing fan on sloped ceiling, make sure tab on hanger bracket faces towards the top of the slope. Depending on the slope, a longer downrod may be required to prevent fan blades from hitting the ceiling.

4. ELECTRICAL HOOK-UP

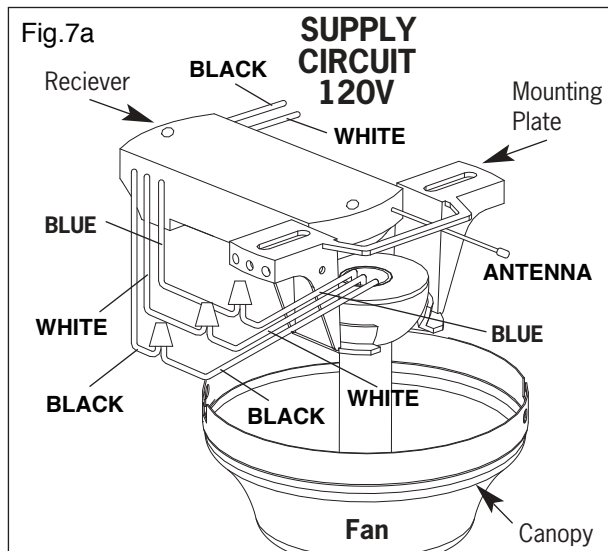
B LEARNING PROCESS

- After installation of the fan, power on the fan. Open battery cover and install battery, DC1.5V/ AAA*2 pcs that are not included. Use a ball pen to press and hold the "LEARN" key for 1-3 seconds.
- FAN will be turned "OFF" and then "ON" at medium speed. This indicates the learning process is completed.
- **Please GO through this learning process within 30 seconds after power on.**
- If just replace batteries, no need to re-learn.
- Please note that the transmitter can learn in multiple receiver while doing learning process.
- **Please make sure NOT to turn on other fans while learning.**

LIGHT FUNCTION SELECT SWITCH

- If a fluorescent lamp is used, slide the function switch to "O" position.
- If a regular incandescent lamp is used, slide switch to the "DIM" position.

- ### C
- Push all connected wires up into ceiling box. Position the receiver into the canopy as shown direction.



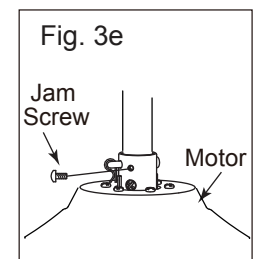
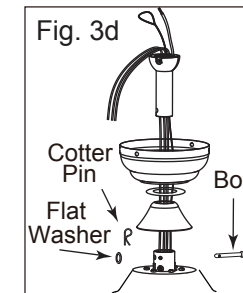
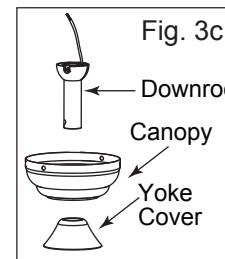
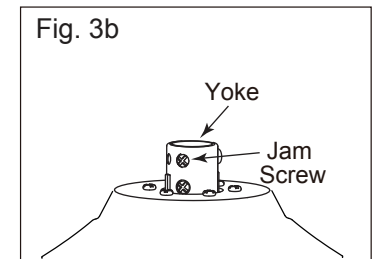
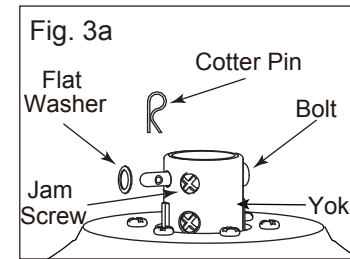
INSTALLATION

NOTE: All set screws must be checked and retightened where necessary, before and after installation.

2. MOUNTING

A DOWNROD MOUNT

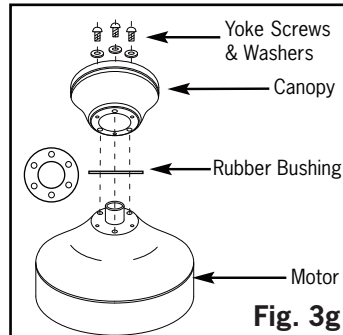
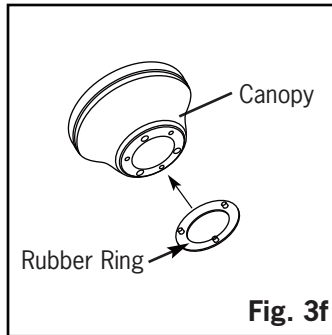
- Take out fan motor housing.
- Remove cotter pin and bolt from yoke.
- Loosen jam screw in yoke until it is flush with the inside surface.
- Obtain downrod, canopy and yoke cover.
- Place downrod inside canopy and yoke cover.
- Route wires exiting motor through yoke cover, canopy and downrod.
- Insert bolt through hole in shaft and downrod. **Be careful not to damage or cut the fan wires.**
- Tighten flat washer and bolt. Secure with cotter pin through hole in the end of the bolt.
- Secure downrod in position by tightening jam screws. Slide yoke cover down so it is flush with the motor housing.



2. MOUNTING

B FLUSH MOUNT

- Remove rubber ring from canopy.
- Place canopy on fan housing by aligning 3 larger holes of canopy over 3 existing screws on the motor housing.
- Secure canopy to motor housing by placing 3 screws and washers (supplied in hardware package) in the 3 smaller holes in the canopy.

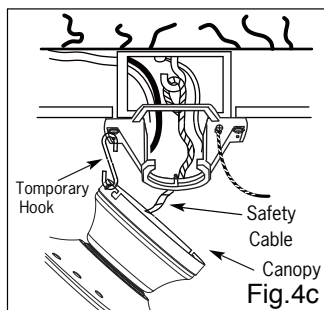
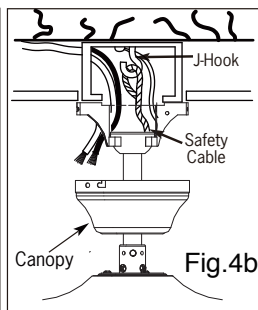
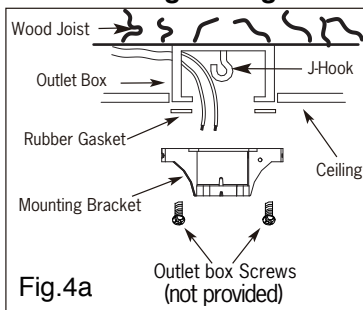


3. INSTALL MOUNTING BRACKET

WARNING: To Reduce The Risk Of Fire, Electric Shock, Or Personal Injury, Mount To UL/CSA Listed Outlet Box Marked Acceptable for Fan Support And Use Mounting Screws Provided With The Outlet Box.

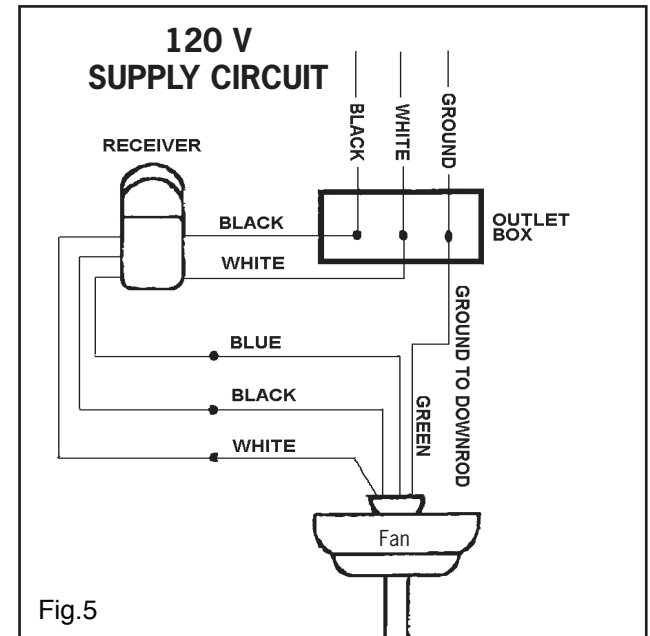
- Install J-Hook through centre of outlet box and into the wooden joist.
- Secure mounting bracket and rubber gaskets to outlet box.
- Hang the safety cable onto the J-hook.
- Hang fan on temporary hook or mounting bracket.

**Diagram Fig.4b is for Downrod Mount.
Diagram Fig.4c is for Flush Mount.**



4. ELECTRICAL HOOK-UP

- A** Make the following wire connections to the receiver unit (see fig. 5) using the wire nuts supplied.
- connect GREEN fan wire to BARE (ground) wire.
 - connect BLACK receiver unit wire to BLACK supply wire.
 - connect WHITE receiver unit wire to WHITE supply wire.
 - connect WHITE receiver unit wire (MOTOR N) to WHITE fan wire.
 - connect BLACK receiver unit wire (MOTOR L) to BLACK fan wire.
 - connect BLUE receiver unit wire (FOR LIGHT) to BLUE light wire.
- After making the wire connections, ensure the wires should be spread apart with the grounded conductor and the equipment-grounding conductor on one side of the outlet box and the ungrounded conductor on the other side of the outlet box.
- Ensure the splices after being made should be turned upward and pushed carefully up into the outlet box.



In Quebec, the installation of this product must be carried out by a qualified electrician.

NOTE: Once ground wires are connected, carefully tuck all wires and marrettes into the metal outlet box making sure that the wires are clear of the hemisphere and downrod when positioned in mounting bracket.

Si cet équipement provoque des interférences nuisibles avec la réception de radio ou de télévision, ce qui peut être déterminé en éteignant et en rallumant l'équipement, l'utilisateur est invité à tenter de corriger l'interférence en appliquant l'une ou plusieurs des mesures suivantes :

- Réorienter ou déplacer l'antenne de réception.
- Accroître la distance entre l'équipement et le récepteur.
- Connecter l'équipement à une prise d'un circuit différent de celui auquel le récepteur est connecté.
- Consulter le revendeur ou un technicien radio/tv expérimenté pour obtenir de l'aide.

MISE EN GARDE:

Tout changement ou modification non expressément approuvé par le bénéficiaire de cet appareil peut annuler le droit de l'utilisateur à utiliser l'équipement.

Cet appareil répond aux normes de la FCC partie 15. L'utilisation est sujette aux deux conditions suivantes : (1) L'appareil ne causera pas d'interférence nuisible, (2) L'appareil acceptera toute interférence reçue incluant l'interférence qui causera une opération indésirable.

Ce dispositif comprend un(des) transmetteur(s)/appareil(s) de réception exempt(s) de licence qui est(sont) conforme(s) aux normes d'exemption de licence RSS de Innovation, Sciences et Développement économique Canada. Son fonctionnement est soumis aux deux conditions suivantes:

1. Cet appareil ne doit pas causer d'interférences préjudiciables.
2. il doit accepter toute interférence reçue, y compris les interférences pouvant entraîner un fonctionnement indésirable.

GARANTIE LIMITÉE DE 5 ANS

"Merci" d'avoir opté pour un de nos produits. Notre politique est de vous fournir un produit de qualité à un prix compétitif. Avec l'aide d'une installation adéquate, votre ventilateur vous fournira des années de confort et d'économies d'énergie.

Ce ventilateur est garanti contre toutes défectuosités de matériaux ou de main-d'oeuvre pour une période de cinq (5) ans à partir de la date d'achat. Durant la première (1) année suivant l'achat, un produit défectueux devra être retourné au détaillant accompagné de la preuve d'achat. Pour la balance de la garantie soit quatre (4) ans, **LE MOTEUR SEULEMENT SERA GARANTIE** contre toutes défectuosités. Nous réparerons ou remplacerons, à notre choix, le moteur défectueux si celui-ci est retourné frais de port payés. Le ventilateur doit être retourné **accompagné de la preuve d'achat et d'un chèque de \$20.00** pour couvrir les frais de main-d'oeuvre et de manutention.

Tous les frais encourus dans le démontage et la réinstallation du produit sont à vos frais. Les dommages causés par un accident, un abus, une opération inadéquate, une mauvaise installation ou l'installation d'un accessoire **NE SONT PAS COUVERTS PAR CETTE GARANTIE**. Aussi, un vue des variances climatiques de notre région, cette garantie ne couvre pas les changements du fini, soit, la rouille, la corrosion, le ternissement ou l'écaillage.

Cette garantie sera nulle lors d'altération, d'abus ou d'installation non-conformes aux instructions ou lorsque l'étiquette de L'ACNOR (CSA) serait ENLEVÉE. 11/16

CF-5C
07/21



BESOIN D'AIDE?

Écrivez-nous ou appelez nous d'abord

Notre équipe de service est prêt à répondre à vos questions...

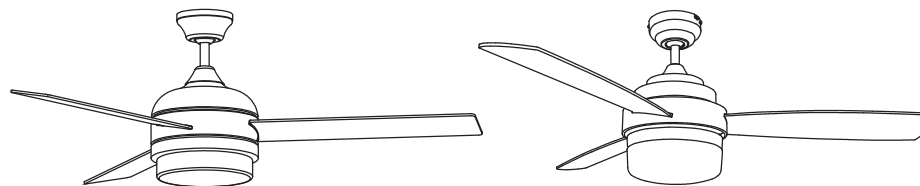
1-800-265-1833 (Anglais) / 1-800-567-2513 (Français)

Lundi - Vendredi
8 AM - 5 PM EST.

Au Canada - ressalesscanada@canarmna.ca - Aux États-Unis - ressalessusa@canarmna.ca

MODE D'INSTALLATION

SERIE DOUBLE MONTURE



INSTRUCTIONS CONCERNANT LE RISQUE D'INCENDIES OU LES DOMMAGES DES PERSONNES LISEZ TOUTES LES INSTRUCTIONS



INSTRUCTIONS DE SÛRETÉ IMPORTANTES GARDEZ CES INSTRUCTIONS

L'installation et les connexions électriques doivent être conformes aux normes CEC, NEC et codes électriques locaux ainsi que les codes ANSI/NFPA 70. Consultez un électricien qualifié si vous n'êtes pas familiers avec l'électricité

OUTILS ET MATÉRIAUX REQUIS

- Tournevis Philips
- Tournevis Plat
- Fournitures électriques telles que prescrites par le code électrique
- Escabeau
- Coupeur de Fil

N.B.: Pour une opération silencieuse, complétez l'installation et rodez durant 24 heures.

2157 Parkedale Ave.,
Brockville, Ontario
K6V 5V6
PH: (613) 342-5424
FX: (613) 342-8437

2555 Rue Bernard
Lefebvre Laval, Quebec
H7C 0A5
PH: (450) 665-2535
FX: (450) 665-0910

MISE EN GARDE

1. Fermez le courant au disjoncteur avant l'installation.
2. Les connexions électriques doivent être conformes aux codes et ordonnances électriques nationaux CEC, NEC et ANSI/NFPA 70.
3. Lorsque vous choisissez l'emplacement du ventilateur assurez-vous que cet endroit permettra une rotation libre des pales sans obstructions.
4. Lorsque vous installez le ventilateur à la boîte électrique au plafond, Utilisez une boîte "**POUR SOUTIEN D'UN VENTILATEUR**" approuvée pour les ventilateurs de plafond (CSA pour le Canada et UL for les E.U.). Assurez-vous que la boîte électrique est bien fixée au plafond et peut supporter le poids du ventilateur.
5. AVERTISSEMENT: Pour réduire le risque d'incendie, de choc électrique ou de toute autre blessure, fixez le ventilateur uniquement à une boîte de sortie de courant ou à un système de support portant la mention capable de supporter un ventilateur de 15,9 kg (35 lb) ou moins, au moyen des vis de montage fournies avec la boîte de sortie de courant. La plupart des boîtes de sortie de courant utilisées couramment pour le support de luminaires ne conviennent pas aux ventilateurs et peuvent devoir être remplacées. En cas de doute, consultez un électricien qualifié.
6. Pour votre référence, le poids approximatif du ventilateur est 48", 8.0 kgs(17.63lbs), 52", 9.0 kgs (19.84lbs).

MISE EN GARDE

- Pour éviter les dangers d'incendie et de secousses électriques, **utilisez SEULEMENT le contrôle à distance optionnel modèle CQ005.**
- MISE EN GARDE: POUR RÉDUIRE LES RISQUES D'INCENDIE, DE CHOQUES ÉLECTRIQUES OU DE BLESSURES CORPORELLES, POSEZ LE VENTILATEUR SUR UNE BOÎTE DE SORTIE ÉLECTRIQUE INDIQUÉE "ACCEPTABLE POUR L'INSTALLATION D'UN VENTILATEUR" ET UTILISER LES VIS D'INSTALLATION FOURNIES AVEC LA BOÎTE DE SORTIE.
- L'installation du ventilateur doit se faire en gardant une distance minimum de 2.10 mètres (7 pieds) entre le plancher et les parties mobiles du ventilateur.
- **NE JAMAIS** utiliser l'interrupteur de direction lorsque le ventilateur fonctionne. Vous devez fermer le ventilateur, attendre que les pales soient arrêtées, tirez sur l'interrupteur de direction pour ensuite repartir le ventilateur à l'aide de l'interrupteur de vitesses pour le repartir de nouveau dans la direction opposée.

INSTRUCTIONS

Le commutateur à glissière commande le sens de la rotation des pales. Par temps chaud, la rotation renversée (dans le sens de aiguilles) crée un déplacement d'air rafraîchissant, tandis que par temps froid, la rotation vers l'avant (contre le aiguilles) assurera une bonne répartition de la chaleur.

TÉLÉCOMMANDE

Installez 2 piles DC1.5V/AAA (non comprises). Les touches d'opération sur le contrôle sont les suivantes:

HI : Le ventilateur fonctionnera à grande vitesse

MED: Le ventilateur fonctionnera à vitesse moyenne

LOW: Le ventilateur fonctionnera à basse vitesse

OFF : Le ventilateur se fermera

LIGHT ON/OFF: Appuyez et relâchez immédiatement pour fermer la lumière.

DIMMER: Appuyez et tenez pour réduire l'intensité de la lumière au niveau désiré. (Seulement ampoules incandescentes ou ampoule DEL variable.)

* Maintenir la touche enfoncée pour accroître ou décroître l'intensité lumineuse. Grâce à la fonction de mémoire, le luminaire reprendra la même intensité lumineuse après l'avoir éteint et rallumé.

2. Le ventilateur est bruyant.

- Assurez-vous que toutes les vis du moteur sont bien serrées.
- Assurez-vous que les vis des ferrures de pales sont bien serrées.
- Assurez-vous que les marrettes à l'intérieur du logement des interrupteurs ne cognent pas contre les parois du logement.
- Si votre ventilateur porte un luminaire assurez-vous que le vis du luminaire au logement soient bien serrées.
- Certains ventilateurs sont très sensibles aux signaux émis d'un contrôle à transformateur à vitesse variable ou d'un réducteur. Nous vous suggérons d'utiliser un contrôle approprié à votre ventilateur (voir un représentant pour une liste des contrôles qui sont disponibles).
- Allouez 24 heures de rodage pour éliminer certains bruits
- Assurez-vous que les pales sont bien vissées aux ferrures de pales.
- Assurez-vous que les ferrures sont bien vissées au moteur.
- Vérifiez la distance entre le plafond et chacune des pales.
- Vérifiez la distance entre chaque pale. Cette distance devrait être la même pour chaque paire de pales. Dévissez la ferrure et repositionnez la pale à la distance voulue et revissez ensuite la ferrure.
- Assurez-vous que la demi-sphère est bien engagée dans l'entaille de la cloche.
- Assurez-vous que la vis de blocage de la tige soit bien engagée.
- Assurez-vous que la ferrure de montage ainsi que la cloche sont bien serrées à la solive.
- Assurez-vous qu'aucun crochissement ne s'est produit dans les pales. Pour vérifier ceci mettez vos pales à plat sur une table. Si un crochissement s'est produit, communiquez avec votre représentant au numéro de service à la clientèle indiqué sur la garantie.

3. Le ventilateur oscille excessivement.

Supplier's Declaration of Conformity 47 CFR § 2.1077 Compliance Information

Unique Identifier: CANARMNA

Responsible Party

CanarmInc.

709 East Main Street, Teutopolis, Illinois, USA 62467

1.800.267.4427

Cet équipement a été testé et déclaré conforme aux limites imposées aux appareils numériques de classe B, conformément à la section 15 du règlement de la FCC. Ces limites sont conçues pour fournir une protection raisonnable contre les interférences nuisibles dans une installation résidentielle. Cet équipement génère, utilise et peut émettre de l'énergie des fréquences radio. S'il n'est pas installé et utilisé conformément aux instructions, il peut causer des interférences nuisibles aux communications radio. Cependant, rien ne garantit que des interférences ne se produiront pas dans une installation particulière.

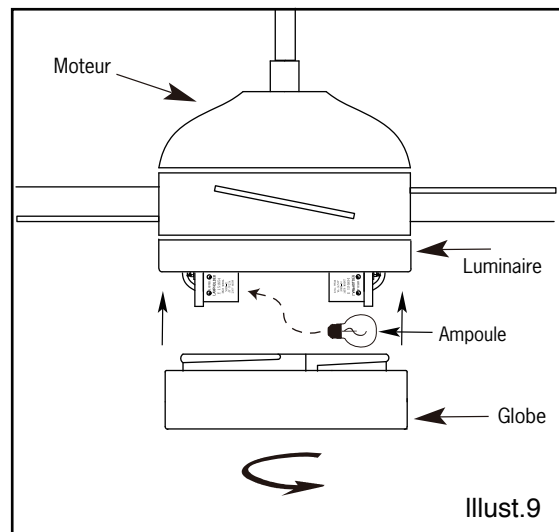
7.

REEMPLACEMENT DE L'AMPOULE

- Posez l'ampoule de wattage et de type requis tel qu'indiqué sur la douille.

- Posez la vitre sur la ventilateur et tournez pour barrer en place.

MISE EN GARDE: ASSUREZ-VOUS QUE LE COURANT EST FERME AVANT DE FAIRE L'INSTALLATION



AVERTISSEMENT : Vérifiez tous vos branchements et assurez-vous que les vis de serrage et les vis sont bien serrées avant de procéder à la prochaine étape.

Pour nettoyer le luminaire, éteignez-le, attendez qu'il soit froid, puis nettoyez-le avec linge propre et doux.

DEPANNAGE

PROBLEME

1. Le ventilateur ne démarre pas.

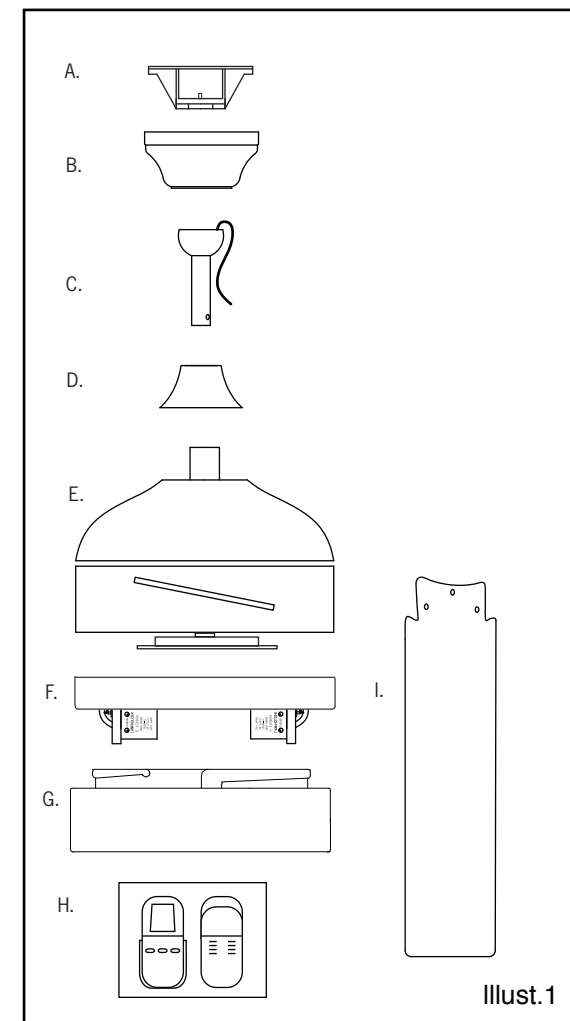
SUGGESTION

- Vérifiez les fusibles au disjoncteur.
- Vérifiez les connexions électriques au ventilateur.
- Vérifiez les connexions électriques dans le logement des interrupteurs.

Fermez le courant aux deux derniers items.

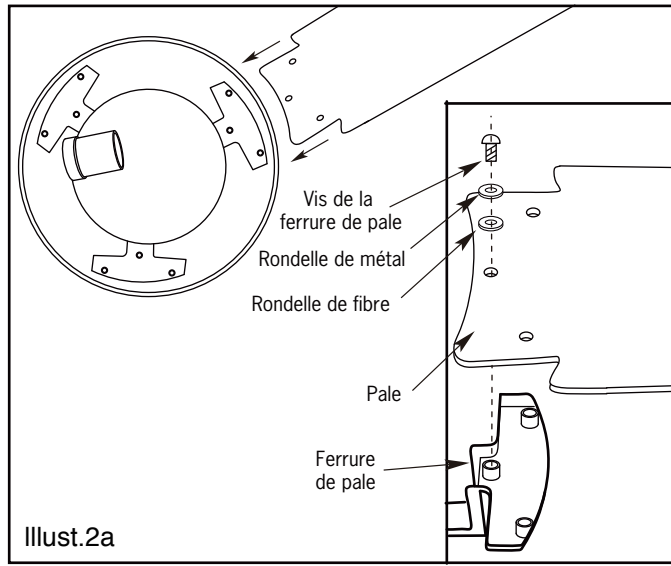
TABLEAU DES PIECES

- A. Support de montage
- B. Cloche
- C. Tige de suspension
- D. Couvercle du collet
- E. Moteur du ventilateur
- F. Luminaire
- G. Globe de verre
- H. Contrôle à distance
- I. Pale



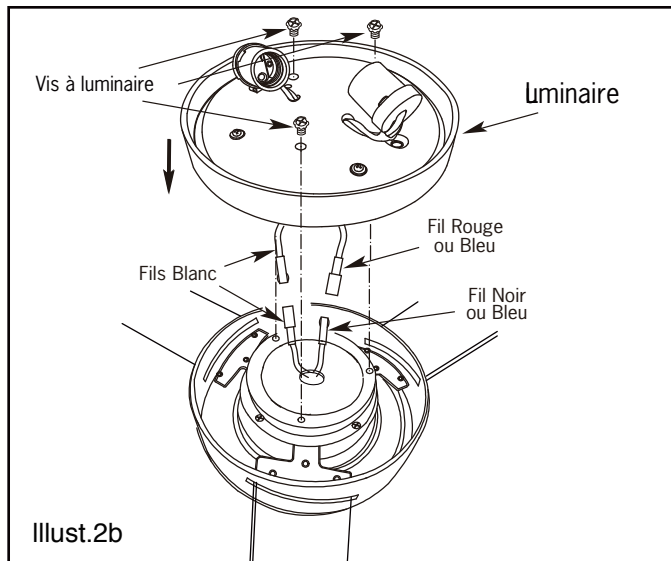
1. POSEZ LES PALES AU VENTILATEUR

- Attachez les pales au moteur du ventilateur avec les écrous et les rondelles plates.



Illust.2a

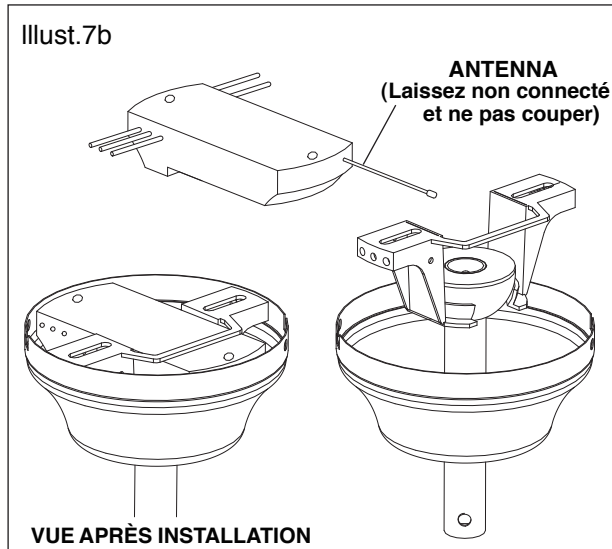
- Branchez les connecteurs du luminaire au connecteurs appropriés qui se trouvent dans le logement des interrupteurs du ventilateur.
- Poser le luminaire au boîtier du ventilateur en serrant les trois vis



Illust.2b

4. CONNEXIONS ÉLECTRIQUES

C



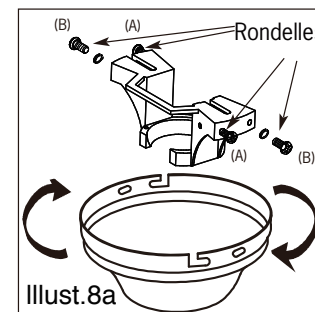
5. ASSEMBLAGE DU MOTEUR

- Posez les deux vis et rondelles sur la plaque de montage (indiqué par B sur le diagramme) qui correspondent avec les fentes sur la cloche. Vissez en deux tours.
- Placez la cloche sur la plaque de montage en alignant les fentes aux vis, indiquées par B sur le diagramme, et tournez en bloquant en place.
- Mettre en position et serrez en place à l'aide des deux vis et rondelles (indiquées par A sur le diagramme) et serrez alors les deux vis (indiquées par B sur le diagramme).

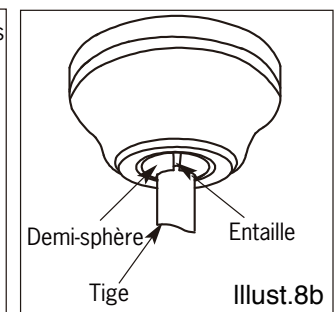
6. ENGAGEZ LA DEMI-SPHERE (Montage sur Tige Seulement)

- Tournez soigneusement le ventilateur jusqu'à ce la fente de la demi-sphère soit engagée dans l'entaille de la cloche.

MISE EN GARDE: Omettre d'insérer la languette dans l'ouverture prévue pourrait endommager les fils et causer une secousse électrique ou un incendie.



Illust.8a



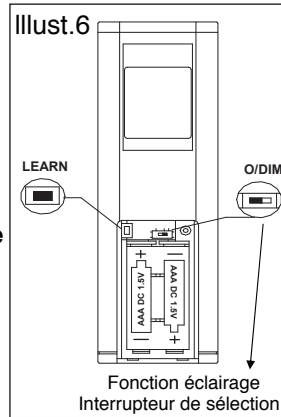
Illust.8b

N.B.: Lorsque vous installez un ventilateur sur un plafond en pente, assurez-vous que l'entaille sur la ferrure soit face à la pente du plafond. Dépendant de l'angle de cette pente, une tige plus longue peut être requise afin d'empêcher les pales de cogner le plafond.

4. CONNEXIONS ÉLECTRIQUES

B Processus d'apprentissage

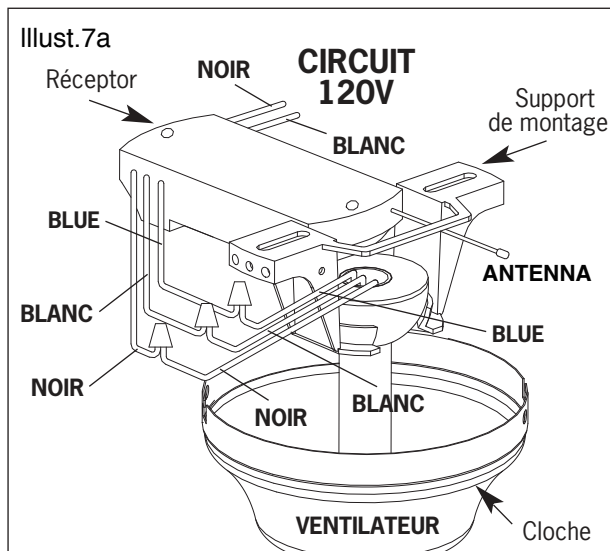
- Après avoir installé le ventilateur, allumez le ventilateur. Ouvrez le couvercle de la batterie et installez les batteries DC1.5V / AAA 2mcx qui ne sont pas incluses. Utilisez un stylo pour enfoncer et tenir le bouton « LEARN » pendant 1 à 3 secondes.
- Le ventilateur sera à « OFF » et puis à « ON » à vitesse moyenne. Cela indiquera que le processus d'apprentissage est complété.
- **Veillez prendre note que le processus doit se faire dans les 30 secondes suivant la mise sous tension.**
- Si vous remplacez les batteries, vous n'aurez pas à refaire le processus d'apprentissage.
- Prendre note que le transmetteur peut se coupler avec plusieurs récepteurs grâce au processus d'apprentissage.
- **Assurez-vous de ne pas allumer d'autres ventilateurs durant l'apprentissage.**



Interrupteur de sélection de la fonction éclairage

- Si une ampoule fluorescente est utilisée, glissez le bouton de fonction à la position « O ».
- Si une ampoule régulière incandescente est utilisée, glissez le bouton de fonction à la position « DIM ».

- ### C
- Poussez soigneusement les fils et les connecteurs dans la boîte électrique au plafond.
 - Placez le receveur à l'intérieur de la cloche tel qu'illustré



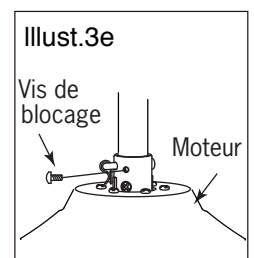
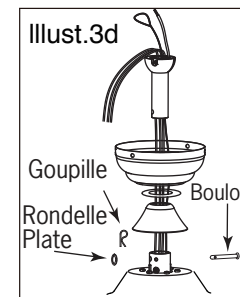
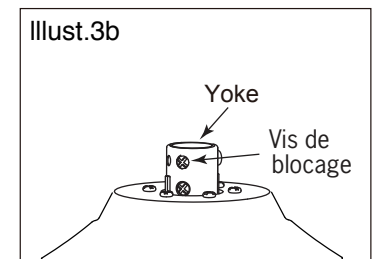
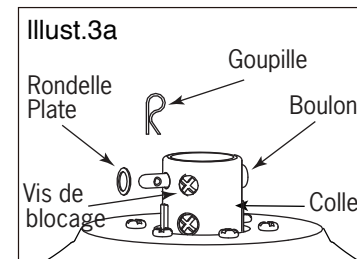
INSTALLATION

N.B.: Toutes les vis de blocage doivent être vérifiées avant de procéder à l'installation.

2. CHOIX DE MONTAGE

A MONTAGE AVEC LA TIGE

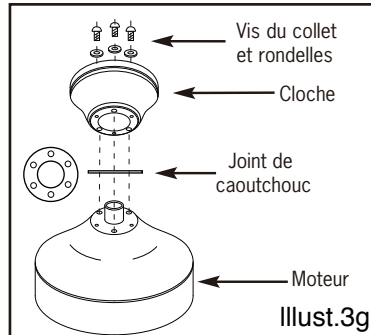
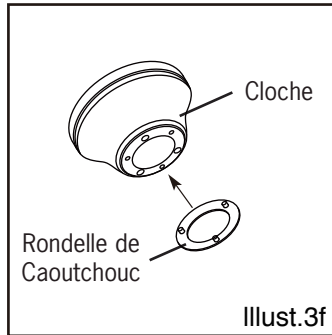
- Prenez le moteur de ventilateur.
- Retirez la goupille et le boulon du collet.
- Dévissez la vis de blocage du collet jusqu'à ce qu'elle soit à l'intérieur de la surface.
- Prenez la tige, la cloche et couvercle du collet.
- Posez la tige dans la cloche et couvercle du collet.
- Fauillez les fils du moteur en travers du couvercle de collet, la cloche et de la tige.
- Insérez le boulon en travers du trou du collet et de la tige. **«Assurez-vous que vous n'endommagez pas ou ne coupez pas les fils.»**
- Serrez la rondelle plate et le boulon. Fixez en place en insérant la goupille en travers du trou au bout du boulon.
- Fixez la tige en position en serrant le vis. Glissez le couvercle du collet afin qu'il soit bien en place avec le logement du moteur.



2. CHOIX DE MONTAGE

B MONTURE PLAFONNIERE

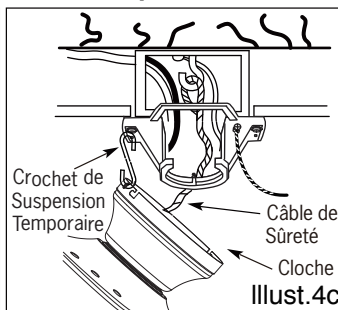
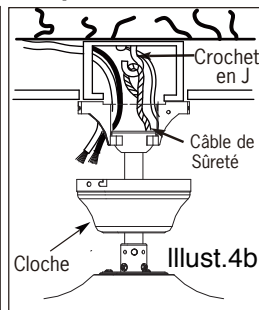
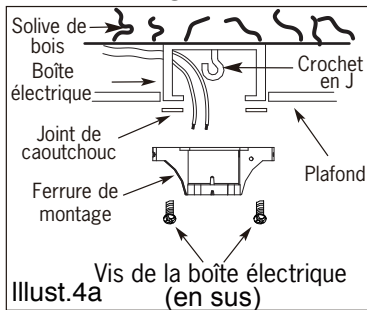
- Enlevez l'anneau de caoutchouc de la cloche.
- Posez la cloche sur le dessus du moteur en alignant les 3 grands trous de la cloche avec les 3 vis.
- Vissez la cloche au moteur à l'aide des 3 vis et rondelles (incluses) que vous insérez dans les 3 petits trous de la cloche.



3. INSTALLATION DU SUPPORT DE MONTAGE

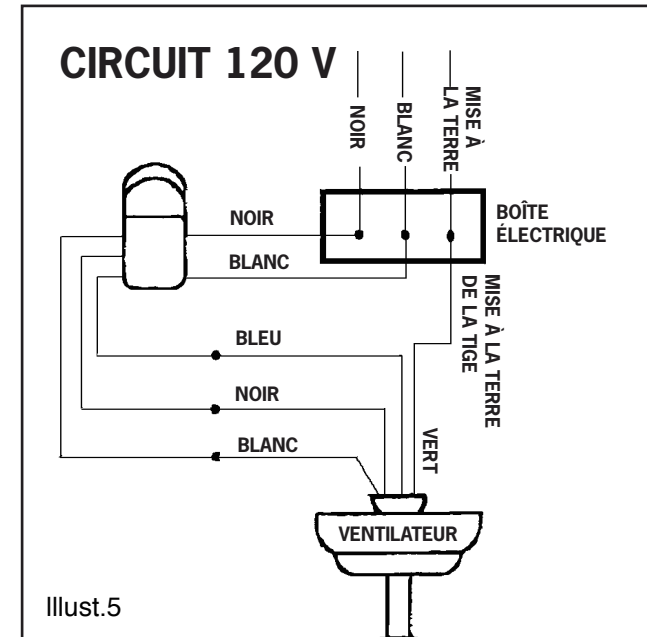
MISE EN GARDE: Pour réduire les risques d'incendies, de secousses Électriques ou de blessures corporelles, installez sur une boîte électrique listée UL /CSA ayant la notation, Acceptable pour supporter un ventilateur, et utilisez les vis fournies avec cette boîte électrique.

- Installez le crochet en J en travers du centre de la boîte électrique puis en travers de la solive de bois.
 - Fixez la ferrure de montage et le joint de caoutchouc à la boîte électrique.
 - Suspendez le câble de sécurité sur le crochet en J.
 - Suspendre le ventilateur sur le crochet temporaire ou sur la ferrure d'installation.
- Diagramme Illust.4b est pour une installation sur tige.**
Diagramme Illust.4c est pour une installation semi-plafonnière.



4. CONNEXIONS ÉLECTRIQUES

- A** Faites les connexions suivantes (Illust.5) au moyen des connecteurs fournis :
- raccordez le fil VERT du ventilateur au fil DÉNUDÉ (mise à la terre) du récepteur,
 - raccordez le fil NOIR du récepteur au fil d'alimentation NOIR,
 - raccordez le fil BLANC du récepteur au fil d'alimentation BLANC,
 - raccordez le fil BLANC du récepteur (MOTOR N) au fil BLANC du ventilateur,
 - raccordez le fil NOIR du récepteur (MOTOR L) au fil NOIR du ventilateur,
 - raccordez le fil BLEU du récepteur (FOR LIGHT) au fil bleu du luminaire.
- Après avoir effectué les connexions, assurez-vous que les fils mises à terre et le conducteur d'équipement mise à terre soit séparés dans la boîte électrique des conducteurs sans mises à terre.
- Assurez-vous que les bouts des fils coupés soient pointés vers le haut et soient poussés soigneusement dans la boîte électrique.



Remarque : Au Québec, l'installation de ce ventilateur doit être confiée à un électricien qualifié.

N.B: Une fois que les fils de la mise à terre sont branchés, poussez tous les fils et les marrettes soigneusement à l'intérieur de la boîte électrique en vous assurant que ces fils ne soient pas gênés par la ferrure de montage, le demi-sphère ou autre pièce.