

5 YEAR LIMITED WARRANTY

"Thank you" for purchasing our product. It is our policy to furnish you with high quality products at a fair price. With proper installation your fan should provide you with years of money saving comfort.

This fan is guaranteed to be free from defects in workmanship and Material for a period of five (5) years from date of purchase. Within the first (1) year from date of purchase any defective product should be returned to your **RETAIL OUTLET** along with proof of purchase. For the balance of the warranty, four (4) years, the **MOTOR WINDINGS ONLY** shall be free of defects. We will correct such defects or replace the motor assembly at our option if the product is returned, **FREIGHT PREPAID**, to us. The returned fan must be accompanied by your proof of purchase and a cheque for \$20.00 for handling and labour charges. All costs of removing and re-installing the product are **YOUR RESPONSIBILITY** damage to any part as such by accident, misuse, improper installation or by affixing any accessories **IS NOT** covered by this warranty. As a result of varying climatic conditions in your area this warranty does not cover any changes in finishes, including rusting, pitting, corroding, tarnishing or peeling.

WARRANTY VOID: In cases of alteration, abuse, installation not in accordance with instructions or REMOVAL Of the CSA Sticker.

10/21

CF-26 LED
09/23



harmonizedhome
CANARMNA



NEED HELP?

Call or Email us first

Our service team is ready to answer your questions...

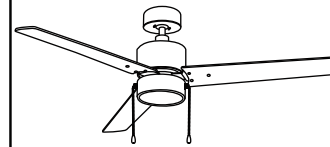
1-800-265-1833 (English) / 1-800-567-2513 (French)

Monday – Friday
8 AM – 5 PM EST.

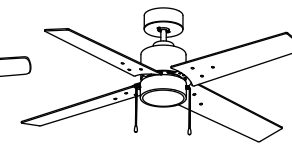
IN CANADA - ressalescanada@canarmna.ca - IN USA - ressalesusa@canarmna.ca

INSTALLATION INSTRUCTIONS

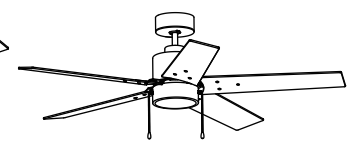
DOWNROD MOUNT SERIES



CF52JAC3XX-ES



CF52TAT4XX-ES



CF52ROM5XX-ES

18

INSTRUCTIONS PERTAINING TO RISK OF FIRE OR INJURY TO PERSONS
READ ALL INSTRUCTIONS



IMPORTANT SAFETY INSTRUCTIONS SAVE THESE INSTRUCTIONS

INSTALLATION AND WIRING TO BE IN ACCORDANCE WITH CEC,
NEC, LOCAL ELECTRICAL CODES and ANSI/NFPA 70.

Consult a qualified electrician if you are not familiar with wiring.

TOOLS AND MATERIALS REQUIRED

- Philips Screw Driver
- Blade Screw Driver
- Wiring supplies as required by electrical code.
- Step Ladder
- Wire Cutters

NOTE: FOR OPTIMUM QUIETNESS, FULLY ASSEMBLE FAN AND RUN 24 HOURS

2157 Parkedale Ave.,
Brockville, Ontario
K6V 5V6
PH: (613) 342-5424
FX: (613) 342-8437

2555 Rue Bernard
Lefebvre Laval, Quebec
H7C 0A5
PH: (450) 665-2535
FX: (450) 665-0910

SAFETY PRECAUTIONS

1. Turn off power at main electrical service box before starting installation. ¹⁴
2. Electrical connections must comply with local code ordinances, national electrical codes, CEC, NEC and ANSI/NFPA 70. ¹³
3. Make sure the installation site you choose allows the fan blades to rotate freely without any obstructions.
4. When mounting the fan on a ceiling outlet box, Use an approved (CSA for Canada and UL for U.S.) ceiling fan box marked "**FOR FAN SUPPORT**". Ensure the outlet box is securely installed in place such that it is able to support at least the fan weight.
5. **WARNING:** To reduce the risk of fire, electric shock, or other personal injury, mount fan only on an outlet box or supporting system marked acceptable for fan support of 35 lbs (15,9 kg) or less and use the mounting screws provided with the outlet box. Most outlet boxes commonly used for the support of lighting fixtures are not acceptable for fan support and may need to be replaced. Consult a qualified electrician if in doubt.
6. The fixing means for attachment to the ceiling such as hooks or other devices shall be fixed with a sufficient strength to withstand 4 times the weight of the ceiling fan. ⁷
7. The mounting of the suspension system shall be performed by the manufacturer, its service agent or suitably qualified persons. ⁸
8. This ceiling fan is pre-built with luminaire. Do not use any other luminaire for this fan. ⁹
9. This appliance is not intended for use by persons (including children) with reduced physical, sensory or mental capabilities, or lack of experience and knowledge, unless they have been given supervision or instruction concerning use of the appliance by a person responsible for their safety. ¹
10. Children should be supervised to ensure that they do not play with the appliance. ²
11. Total Fan Weight For Reference: 52"approximate 7.3 kgs(16.09lbs). ⁵

WARNING

- To reduce the risk of personal injury, **DO NOT** bend the blade brackets when installing the brackets, balancing the blades or cleaning the fan. Also. **DO NOT** insert foreign objects in between rotating fan blades. ¹⁰
- **WARNING:** TO REDUCE THE RISK OF FIRE, ELECTRIC SHOCK, OR PERSONAL INJURY, MOUNT TO OUTLET BOX MARKED ACCEPTABLE FOR FAN SUPPORT AND USE MOUNTING SCREWS PROVIDED WITH THE OUTLET BOX. ¹¹
- Mount with the lowest moving parts at least 2.10 Meters (7 Feet) above floor or grade level.
- **DO NOT** operate reversing switch while fan blades are in motion. Fan must be turn off and rotating blades stopped completely, operate reverse switch and then operate speed switch for the opposite direction.

INSTRUCTIONS

A ceiling fan has a completely internal switching system for total operation by way of pull chains. On a fan/light combination, three pull chains will exist: One for light, on and off. The second is for fan speeds. This will be marked (SPEED) on the fan switch housing.

- 1st Pull will give fan High Speed
- 2nd Pull will give fan Medium Speed
- 3rd Pull will give fan Low Speed
- 4th Pull will Shut Fan Off

The third pull chain is for Forward/Reverse# (**Note: Some models come with a slide switch instead of a pull chain**) This setting would usually be changed twice per year. Downdraft in summer to create a wind chill to give a cooling effect. Updraft in winter to circulate the hot stratified air off the ceiling and back down to the floor without creating a wind chill.

MAINTENANCE

- When properly maintained, fans can be expected to give years of trouble free operation.
- Properly maintained fans must be inspected every 3 months for vibration and wear on the support mechanism and that all screws, nuts, etc. are tight. ⁴
- To clean the fixture, turn off the power, wait for it to cool, and wipe the fixture with a clean, soft cloth.
- The replacement of parts of the safety suspension system device shall be performed by the manufacturer, its service agent or suitably qualified persons. ⁶
- **WARNING: If unusual oscillating movement is observed, immediately stop using the ceiling fan and contact the manufacturer, its service agent or suitably qualified persons.** ³
- Refer to (Fig. 9) for maintenance schedule

DATE INSTALLED:		
Visible Vibration Check Every 3 Months	Support Mechanism Refer to Installation Instructions (Every 3 Months)	Screws Refer to Installation Instructions (Every 3 Months)

Fig.9

**Supplier's Declaration of Conformity
47 CFR § 2.1077 Compliance Information**

Unique Identifier: CANARMNA
Responsible Party

Canarm Inc.
709 East Main Street, Teutopolis, Illinois, USA 62467
1.800.267.4427

This equipment has been tested and found to comply with the limits for a Class B digital device, pursuant to Part 15 of the FCC Rules. These limits are designed to provide reasonable protection against harmful interference in a residential installation. This equipment generates, uses and can radiate radio frequency energy and, if not installed and used in accordance with the instructions, may cause harmful interference to radio communications. However, there is no guarantee that interference will not occur in a particular installation. If this equipment does cause harmful interference to radio or television reception, which can be determined by turning the equipment off and on, the user is encouraged to try to correct the interference by one or more of the following measures:

- Reorient or relocate the receiving antenna.
- Increase the separation between the equipment and receiver.
- Connect the equipment into an outlet on a circuit different from that to which the receiver is connected.
- Consult the dealer or an experienced radio/TV technician for help.

CAUTION:

Any changes or modifications not expressly approved by the grantee of this device could void the user's authority to operate the equipment. This device complies with Part 15 of the FCC Rules. Operation is subject to the following two conditions: (1) This device may not cause harmful interference, and (2) this device must accept any interference received, including interference that may cause undesired operation.

This device contains licence-exempt transmitter(s)/receiver(s) that comply with Innovation, Science and Economic Development Canada's licence-exempt RSS(s). Operation is subject to the following two conditions:

1. This device may not cause interference.
2. This device must accept any interference, including interference that may cause undesired operation of the device.

ASSEMBLY DRAWING

- A. Mounting Bracket
- B. Canopy
- C. Downrod Assembly
- D. Yoke Cover
- E. Fan Motor Assembly
- F. Switch Housing
- G. Light Kit
- H. Diffuser
- I. Blade Bracket
- J. Fan Blade

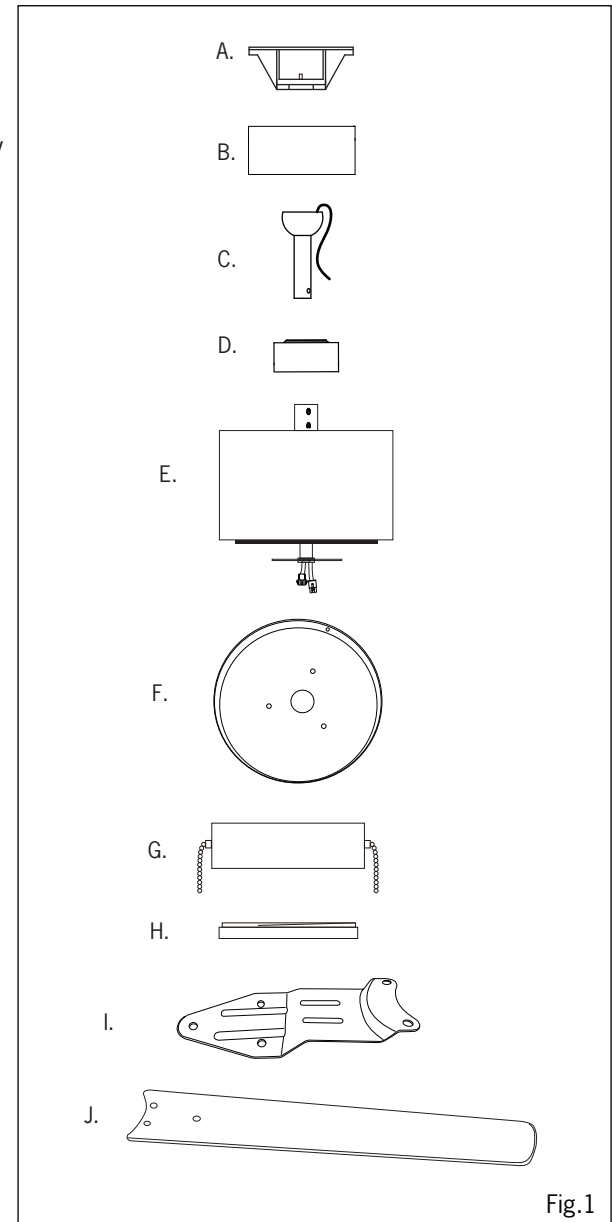


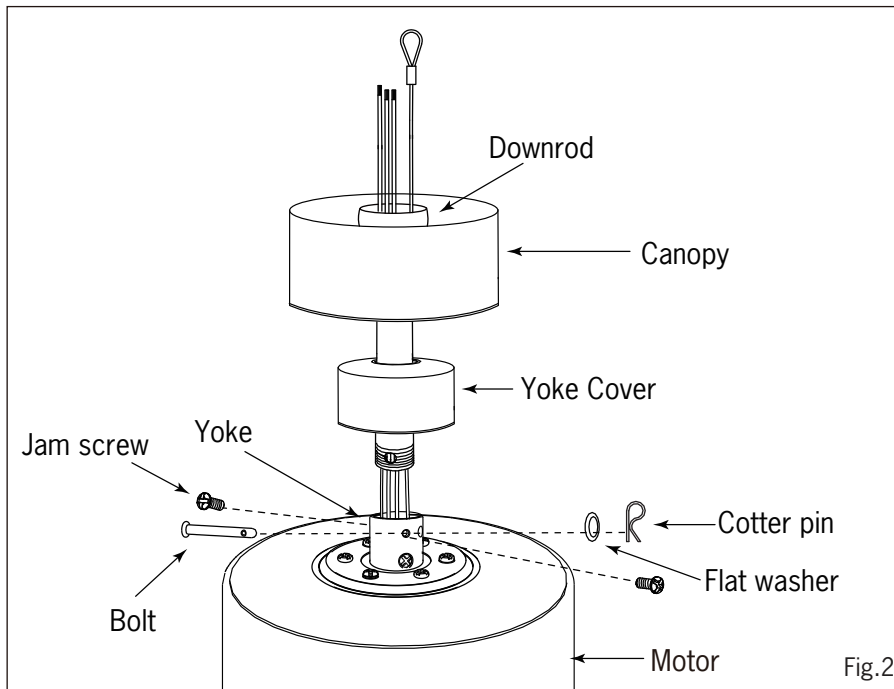
Fig.1

INSTALLATION

NOTE: All set screws must be checked and retightened where necessary, before and after installation.

1. MOUNTING

- Take out fan motor housing.
- Remove cotter pin and bolt from yoke.
- Loosen jam screw in yoke until it is flush with the inside surface.
- Obtain downrod, canopy and yoke cover.
- Place downrod inside canopy and yoke cover.
- Route wires exiting motor through yoke cover, canopy and downrod.
- Screw the downrod into the yoke and align holes in the yoke and downrod.
- Insert bolt through hole in yoke and downrod. **Be careful not to damage or cut the fan wires.**
- Tighten flat washer and bolt. Secure with cotter pin through hole in the end of the bolt.
- Secure downrod in position by tightening jam screws. Slide yoke cover down so it is flush with the motor housing.



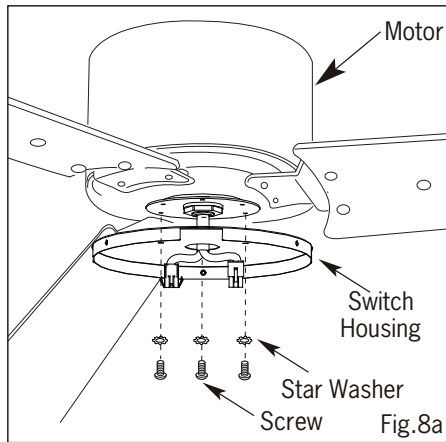
TROUBLESHOOTING SUGGESTIONS

- | <u>TROUBLE</u> | <u>SUGGESTIONS</u> |
|---------------------------------------|---|
| 1. Fan will not start | <ul style="list-style-type: none">- Check wiring connections to fan.- Check fuses and circuit breakers.- Check wiring connections in switch housing. <p>CAUTION: Turn power off for last two items.</p> |
| 2. Fan sounds noisy | <ul style="list-style-type: none">- Check to make sure that all screws in motor housing are snug.- Check to make sure that blade bracket screws are tight.- Check to make sure that wire nuts in switch housing are not rattling against wall of switch housing- If fan has a light kit make sure switch housing screws and set screws are tight.- Some fan motors are sensitive to signals from solid state variable controls. If solid state controller is used, change to an alternative control. (See a representative for a list of available controls.)- Allow a 24 hour break in period to eliminate most noises. |
| 3. Fan wobbles or shakes excessively. | <ul style="list-style-type: none">- Check that all blades are screwed firmly into blade brackets.- Check that blade brackets are secured firmly to motor.- Check distance from tip of blades to ceiling.- Check distance between blade tip to blade tip. All measurements should be equal. Loosen blade screws and position blade until even then re-tighten.- Check that the downrod hemisphere notch is engaged in canopy- Check to make sure that jam screws in downrod are tightened.- Make sure canopy and mounting bracket are tightened securely to wooden joist.- Make sure warpage has not occurred in wooden blades. If so, contact the customer service department for replacement parts. |

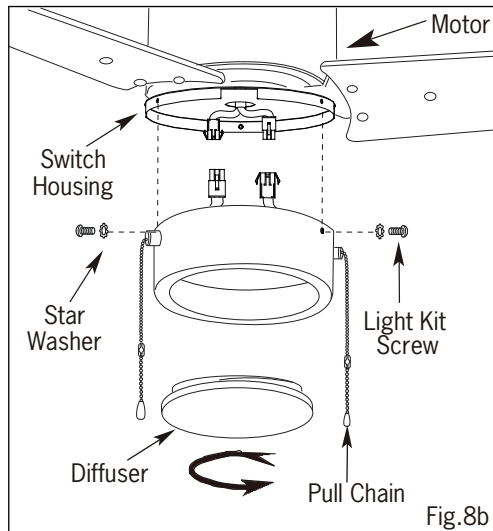
8.

LIGHT KITS (Optional in some fans)**DETACHABLE LIGHT KITS****WARNING: BE SURE TO TURN OFF POWER BEFORE INSTALLING**

- Remove the screws and star washers on the motor.
- Attach the switch housing to the motor with the screws and washers.



- Remove the light kit screws and star washers on the switch housing.
- Connect the male and female wires.
- Install the light kit with the screws and star washers.
- Place diffuser onto the fan and turn to secure.
- Attach the pull chain extensions to the light pull chain and fan pull chain.



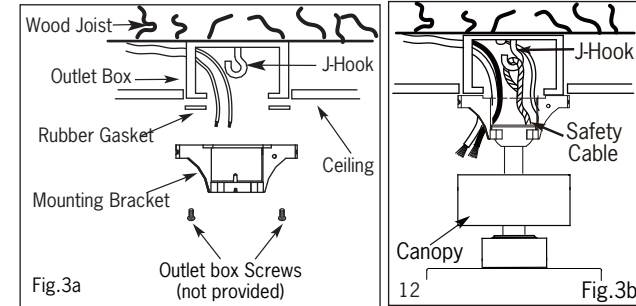
WARNING: Ensure that all connections, set screws and screws are securely tightened before the next step.

2.

INSTALL MOUNTING BRACKET

WARNING: To Reduce The Risk Of Fire, Electric Shock, Or Personal Injury, Mount To UL/CSA Listed Outlet Box Marked Acceptable for Fan Support And Use Mounting Screws Provided With The Outlet Box.

- Install J-Hook through centre of outlet box and into the wooden joist.
- Secure mounting bracket and rubber gaskets to outlet box.
- Hang the safety cable onto the J-hook.
- Hang fan on temporary hook or mounting bracket.



3.

ELECTRICAL HOOK-UP

- There are several different wiring combinations that can be used in controlling your ceiling fan to meet your specific requirements. Should the following method not meet your requirements call or visit your nearest distributor for a full list of fan accessories.

CAUTION

Green Wire - GROUND
 Black Wire (Fan) - POWER
 White Wire (Fan) - COMMON
 Red or Blue Wire (Light Kit) - POWER

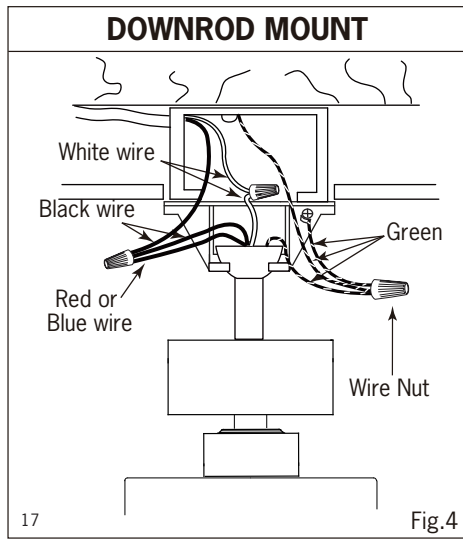
**SEE SAFETY PRECAUTIONS O
 PG. #2 BEFORE WIRING**

- Connect ground wire from outlet box to green wire from mounting bracket and downrod using a wire nut (not supplied).
- Connect white wire from outlet box to white wire from fan using wire nut (not supplied).
- Connect black wire from outlet box to black wire from fan plus (red or blue wire) using a wire nut (not supplied).

NOTE: A red or blue wire would be power for a light kit if applicable.

- After making the wire connections, ensure the wires should be spread apart with the grounded conductor and the equipment-grounding conductor on one side of the outlet box and the ungrounded conductor on the other side of the outlet box. ¹⁵
- Ensure the splices after being made should be turned upward and pushed carefully up into the outlet box. ¹⁶

3. ELECTRICAL HOOK UP (Continued)



NOTE: Once ground wires are connected, carefully tuck all wires and wire nuts into the metal outlet box making sure that the wires are clear of the hemisphere and downrod when positioned in mounting bracket.

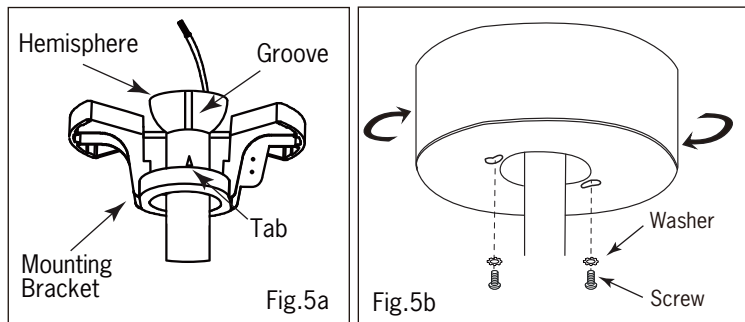
4. MOUNTING FAN ASSEMBLY

- Attach the canopy to mounting bracket using washers and screws.

5. ENGAGE HEMISPHERE (Downrod Mount Only)

- Carefully rotate fan assembly until groove in hemisphere locks over tab of canopy assembly.

WARNING: Failure to seat tab in groove could cause damage to electrical wires and possible shock or fire hazard.

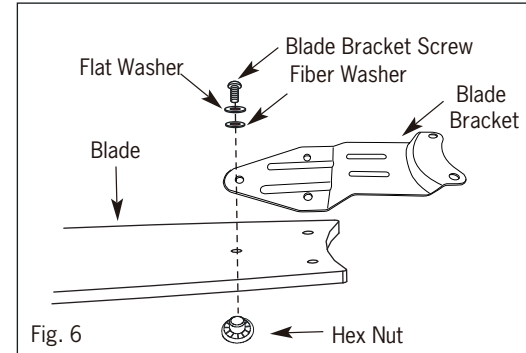


NOTE: When installing fan on sloped ceiling, make sure tab on hanger bracket faces towards the top of the slope. Depending on the slope, a longer downrod may be required to prevent fan blades from hitting the ceiling.

6. MOUNT BLADE BRACKETS TO BLADES

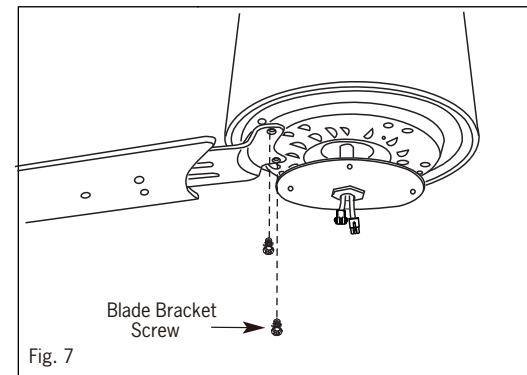
Cast Blade Brackets

- Take out hardware package.
- Place blade bracket screw through flat washer, fiber washer and blade.
- Align with corresponding hole in blade bracket.
- Repeat with remaining screws and tighten.



7. MOUNTING BLADES TO MOTOR

- Take out hardware containing motor screws, lock washers and gaskets.
- Place lock washers over motor screws, position motor screws in blade brackets, place fibre bracket gaskets over screws and secure to motor. Make sure all screws are tightened securely.



CF-26 LED
09/23



harmonizedhome
CANARMNA



GARANTIE LIMITÉE DE 5 ANS

“**Merci**” d’avoir opté pour un de nos produits. Notre politique est de vous fournir un produit de qualité à un prix compétitif. Avec l’aide d’une installation adéquate, votre ventilateur vous fournira des années de confort et d’économies d’énergie.

Ce ventilateur est garanti contre toutes défectuosités de matériaux ou de main-d’œuvre pour une période de cinq (5) ans à partir de la date d’achat. Durant la première (1) année suivant l’achat, un produit défectueux devra être retourné au détaillant accompagné de la preuve d’achat. Pour la balance de la garantie soit quatre (4) ans, **LE MOTEUR SEULEMENT SERA GARANTIE** contre toutes défectuosités. Nous réparerons ou remplacerons, à notre choix, le moteur défectueux si celui-ci est retourné frais de port payés. Le ventilateur doit être retourné **accompagné de la preuve d’achat et d’un chèque de \$20.00** pour couvrir les frais de main-d’œuvre et de manutention.

Tous les frais encourus dans le démontage et la réinstallation du produit sont à vos frais. Les dommages causés par un accident, un abus, une opération inadéquate, une mauvaise installation ou l’installation d’un accessoire **NE SONT PAS COUVERTS PAR CETTE GARANTIE**. Aussi, en vue des variances climatiques de votre région, cette garantie ne couvre pas les changements du fini, soit, la rouille, la corrosion, le ternissement ou l’écaillage. **Cette garantie sera nulle lors d’altération, d’abus ou d’installation non-conformes aux instructions ou lorsque l’étiquette de L’ACNOR (CSA) serait ENLEVÉE.** 10/21

BESOIN D’AIDE?

Écrivez-nous ou appelez nous d’abord

Notre équipe de service est prêt à répondre à vos questions...

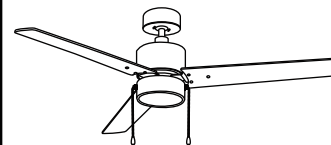
1-800-265-1833 (Anglais) / 1-800-567-2513 (Français)

Lundi – Vendredi
8 AM - 5 PM EST.

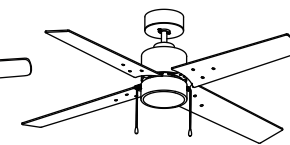
Au Canada - ressalescanada@canarmna.ca - Aux États-Unis - ressalesusa@canarmna.ca

MODE D’INSTALLATION

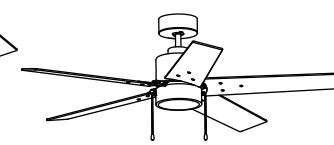
SERIE MONTAGE AVEC TIGE



CF52JAC3XX-ES



CF52TAT4XX-ES



CF52ROM5XX-ES

18



INSTRUCTIONS CONCERNANT LE RISQUE D’INCENDIES OU LES DOMMAGES DES PERSONNES LISEZ TOUTES LES INSTRUCTIONS

INSTRUCTIONS DE SÛRETÉ IMPORTANTES GARDEZ CES INSTRUCTIONS

L’installation et les connexions électriques doivent être conformes aux normes CEC, NEC et codes électriques locaux ainsi que les codes ANSI/NFPA 70. Consultez un électricien qualifié si vous n’êtes pas familiers avec l’électricité

OUTILS ET MATÉRIAUX REQUIS

- Tournevis Philips
- Escabeau
- Tournevis Plat
- Coupeur de Fil
- Fournitures électriques telles que prescrites par le code électrique

N.B.: Pour une opération silencieuse, complétez l’installation et rodez durant 24 heures.

2157 Parkedale Ave.,
Brockville, Ontario
K6V 5V6
PH: (613) 342-5424
FX: (613) 342-8437

2555 Rue Bernard
Lefebvre Laval, Quebec
H7C 0A5
PH: (450) 665-2535
FX: (450) 665-0910

**Supplier's Declaration of Conformity
47 CFR § 2.1077 Compliance Information**

Unique Identifier: CANARMNA

Responsible Party

Canarm Inc.

709 East Main Street, Teutopolis, Illinois, USA 62467

1.800.267.4427

Cet équipement a été testé et déclaré conforme aux limites imposées aux appareils numériques de classe B, conformément à la section 15 du règlement de la FCC. Ces limites sont conçues pour fournir une protection raisonnable contre les interférences nuisibles dans une installation résidentielle. Cet équipement génère, utilise et peut émettre de l'énergie des fréquences radio. S'il n'est pas installé et utilisé conformément aux instructions, il peut causer des interférences nuisibles aux communications radio. Cependant, rien ne garantit que des interférences ne se produiront pas dans une installation particulière. Si cet équipement provoque des interférences nuisibles avec la réception de radio ou de télévision, ce qui peut être déterminé en éteignant et en rallumant l'équipement, l'utilisateur est invité à tenter de corriger l'interférence en appliquant l'une ou plusieurs des mesures suivantes :

- Réorienter ou déplacer l'antenne de réception.
- Accroître la distance entre l'équipement et le récepteur.
- Connecter l'équipement à une prise d'un circuit différent de celui auquel le récepteur est connecté.
- Consulter le revendeur ou un technicien radio/tv expérimenté pour obtenir de l'aide.

MISE EN GARDE:

Tout changement ou modification non expressément approuvé par le bénéficiaire de cet appareil peut annuler le droit de l'utilisateur à utiliser l'équipement.

Cet appareil répond aux normes de la FCC partie 15. L'utilisation est sujette aux deux conditions suivantes : (1) L'appareil ne causera pas d'interférence nuisible, (2) L'appareil acceptera toute interférence reçue incluant l'interférence qui causera une opération indésirable.

Ce dispositif comprend un(des) transmetteur(s)/appareil(s) de réception exempt(s) de licence qui est(sont) conforme(s) aux normes d'exemption de licence RSS de Innovation, Sciences et Développement économique Canada. Son fonctionnement est soumis aux deux conditions suivantes:

1. Cet appareil ne doit pas causer d'interférences préjudiciables.
2. il doit accepter toute interférence reçue, y compris les interférences pouvant entraîner un fonctionnement indésirable.

INSTRUCTIONS

Un ventilateur inclus un système d'interrupteur interne complet qui s'opère par tirette. Sur un ventilateur avec un luminaire, deux tirettes seront présentes. Une pour allumer et éteindre la lumière, l'autre pour changer les vitesses du ventilateur. Celle-ci sera indiquée (SPEED)

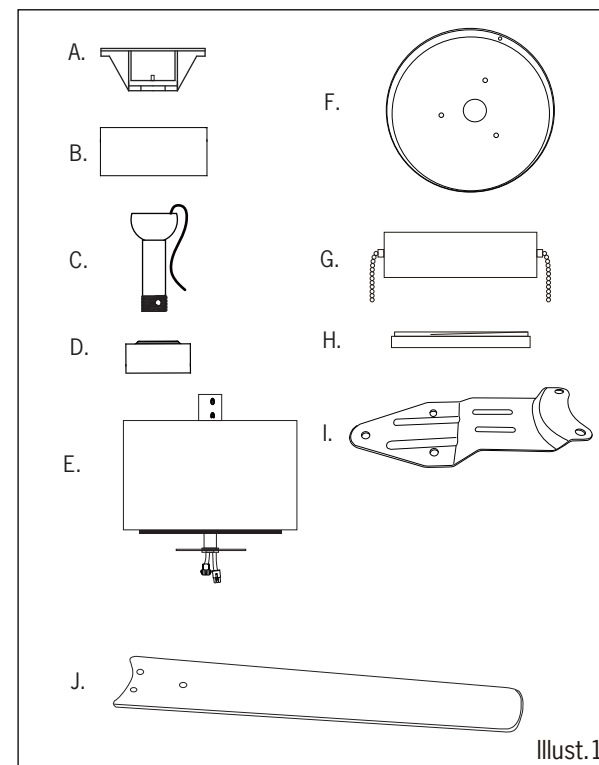
- 1er coup de tirette - Grande vitesse
- 2ième coup de tirette - Vitesse moyenne
- 3ième coup de tirette - Petite vitesse
- 4ième coup de tirette - Arrêt du ventilateur

La troisième tirette est pour la fonction de rotation Avant/Arrière du ventilateur. (**Certains modèles auront un interrupteur à glissière sur le boîtier au lieu d'une tirette.**)

Normalement, la direction du ventilateur est changée deux fois par année. Débit vers le bas pour créer une brise durant l'été et vers le haut pour circuler l'air durant l'hiver.

DIAGRAMME D'INSTALLATION

- A. Support de montage
- B. Cloche
- C. Tige de suspension
- D. Couvercle du collet
- E. Moteur du ventilateur
- F. Logement des Interrupteurs
- G. Luminaire
- H. Diffuseur
- I. Ferrure de pale
- J. Pale



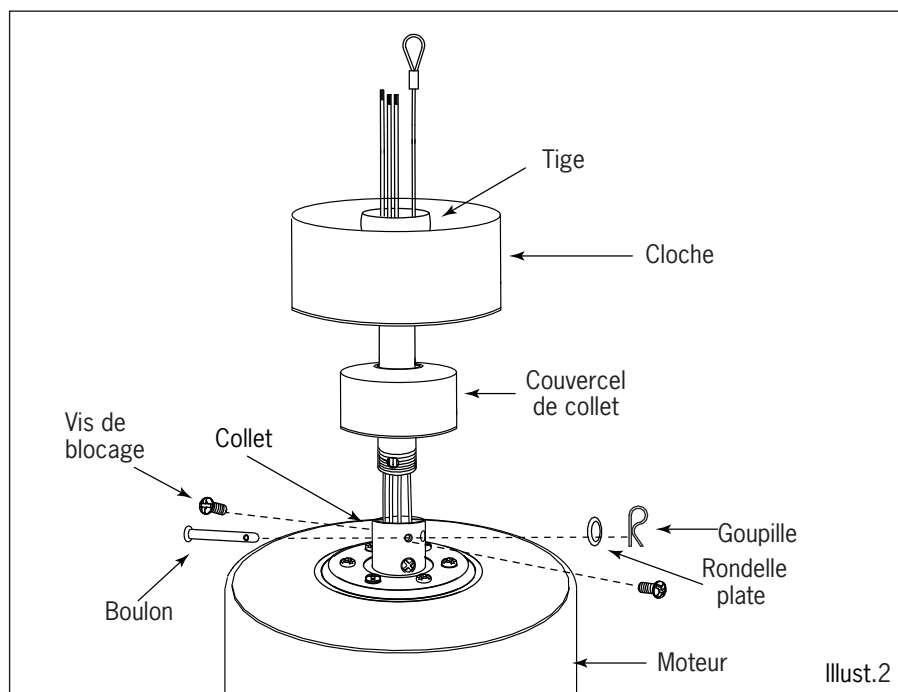
Illust.1

INSTALLATION

N.B.: Toutes les vis de blocage doivent être vérifiées avant de procéder à l'installation.

1. MONTAGE

- Prenez le moteur de ventilateur.
- Retirez la goupille et le boulon du collet.
- Dévissez la vis de blocage du collet jusqu'à ce qu'elle soit à l'intérieur de la surface.
- Prenez la tige, la cloche et couvercle du collet.
- Posez la tige dans la cloche et couvercle du collet.
- Filez les fils du moteur en travers du couvercle de collet, la cloche et de la tige.
- Vissez la tige de rallonge dans le joug puis alignez les trous du joug et de la tige de rallonge.
- Insérez le boulon en travers du trou du collet et de la tige. **"Assurez-vous que vous n'endommagez pas ou ne coupez pas les fils."**
- Serrez la rondelle plate et le boulon. Fixez en place en insérant la goupille en travers du trou au bout du boulon.
- Fixez la tige en position en serrant le vis. Glissez le couvercle du collet afin qu'il soit bien en place avec le logement du moteur.



DEPANNAGE

SUGGESTION

- ### PROBLEME
1. Le ventilateur ne démarre pas.

- Vérifiez les fusibles au disjoncteur.
- Vérifiez les connexions électriques au ventilateur.
- Vérifiez les connexions électriques dans le logement des interrupteurs.

Fermez le courant aux deux derniers items.

2. Le ventilateur est bruyant.
3. Le ventilateur oscille excessivement.

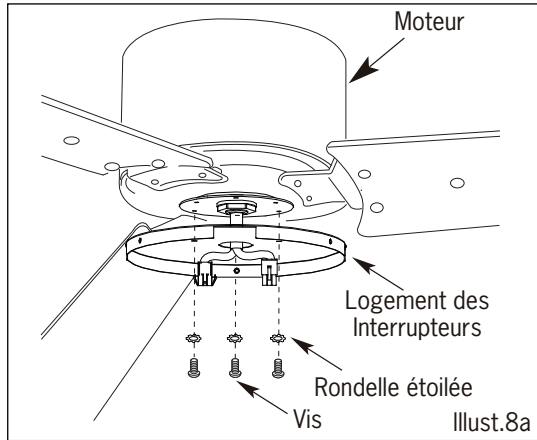
- Assurez-vous que toutes les vis du moteur sont bien serrées.
- Assurez-vous que les vis des ferrures de pales sont bien serrées.
- Assurez-vous que les écrous à fils à l'intérieur du logement des interrupteurs ne cognent pas contre les parois du logement.
- Si votre ventilateur porte un luminaire assurez-vous que le vis du luminaire au logement soient bien serrées.
- Certains ventilateurs sont très sensibles aux signaux émis d'un contrôleur à transformateur à vitesse variable ou d'un réducteur. Nous vous suggérons d'utiliser un contrôleur approprié à votre ventilateur (voir un représentant pour une liste des contrôleurs qui sont disponibles).
- Allouez 24 heures de rodage pour éliminer certains bruits.
- Assurez-vous que les pales sont bien vissées aux ferrures de pales.
- Assurez-vous que les ferrures sont bien vissées au moteur.
- Vérifiez la distance entre le plafond et chacune des pales.
- Vérifiez la distance entre chaque pale. Cette distance devrait être la même pour chaque paire de pales. Dévissez la ferrure et repositionnez la pale à la distance voulue et revissez ensuite la ferrure.
- Assurez-vous que la demi-sphère est bien engagée dans l'entaille de la cloche.
- Assurez-vous que la vis de blocage de la tige soit bien engagée.
- Assurez-vous que la ferrure de montage ainsi que la cloche sont bien serrées à la solive.
- Assurez-vous qu'aucun crochissement ne s'est produit dans les pales. Pour vérifier ceci mettez vos pales à plat sur une table. Si un crochissement s'est produit, communiquez avec votre représentant au numéro de service à la clientèle indiqué sur la garantie.

8.

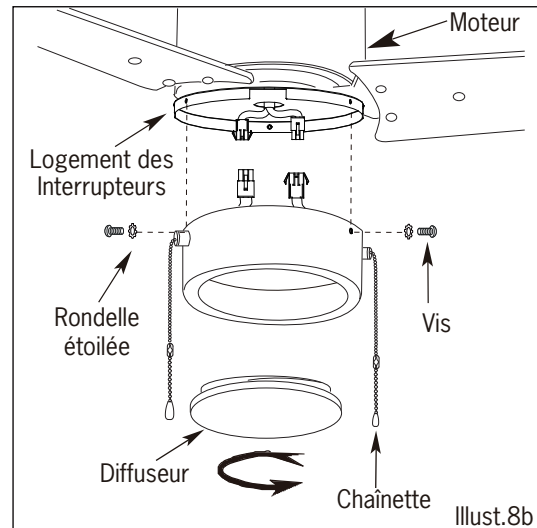
LUMINAIRE (Optionnel sur certains modèles) LUMINAIRES DETACHABLES

AVERTISSEMENT: ASSUREZ-VOUS QUE LE COURANT EST COUPÉ AVANT DE FAIRE L'INSTALLATION

- Retirez les vis et les rondelles étoilées du moteur.
- Attachez le boîtier de l'interrupteur au moteur avec les vis et les rondelles étoilées.



- Retirez les vis du luminaire et les rondelles étoilées du logement des interrupteurs.
- Branchez les fils mâles au fils femelles.
- Posez le luminaire avec les vis et rondelles étoilées.
- Posez le diffuseur sur la ventilateur et tournez pour barrer en place.
- Attachez l'extension de la chaînette à la chaînette de la lumière et du ventilateur.



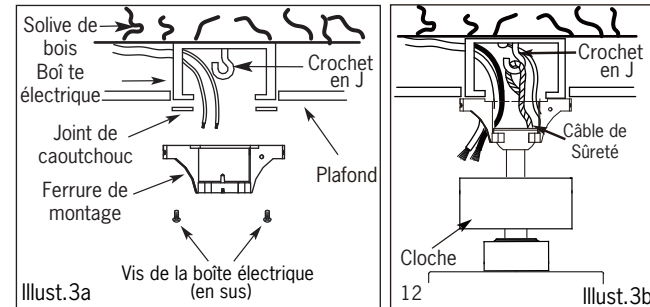
AVERTISSEMENT : Vérifiez tous vos branchements et assurez-vous que les vis de serrage et les vis sont bien serrées avant de procéder à la prochaine étape.

2.

INSTALLEZ LA FERRURE DE MONTAGE

MISE EN GARDE: Pour réduire les risques d'incendies, de secousses électriques ou de blessures corporelles, installez sur une boîte électrique listée UL /CSA ayant la notation, Acceptable pour supporter un ventilateur, et utilisez les vis fournies avec cette boîte électrique.

- Installez le crochet en J en travers du centre de la boîte électrique puis en travers de la solive de bois.
- Fixez la ferrure de montage et le joint de caoutchouc à la boîte électrique.
- Suspendez le câble de sécurité sur le crochet en J.
- Suspendre le ventilateur sur le crochet temporaire ou sur la ferrure d'installation.



3.

BRANCHEMENT ÉLECTRIQUE

- There are several different wiring combinations that can be used in controlling your ceiling fan to meet your specific requirements. Should the following method not meet your requirements call or visit your nearest distributor for a full list of fan accessories.

ATTENTION

Fil vert - Mise à terre
Fil noir (ventilateur) - Puissance
Fil blanc (ventilateur) - Neutre
Fil bleu ou rouge (luminaire) - Puissance

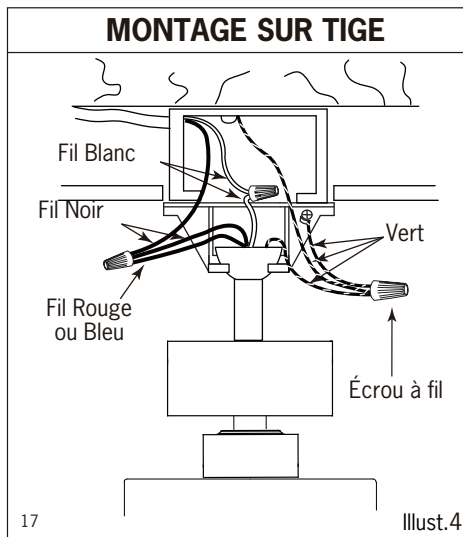
**Voir les avertissements de la P. 2
avant de brancher votre ventilateur**

- Branchez le fil vert de la boîte électrique au fil vert de la ferrure de montage et de la tige à l'aide d'une écrou à fil (en sus).
- Branchez le fil blanc de la boîte électrique au fil blanc du ventilateur à l'aide d'un écrou à fil (en sus).
- Branchez le fil noir de la boîte électrique au fil noir et au fil rouge ou bleu du ventilateur à l'aide d'un écrou à fil (en sus).

REMARQUE: Le fil rouge ou bleu fournit le courant au luminaire s'il y a lieu.

- Après avoir effectué les connexions, assurez-vous que les fils mises à terre et le conducteur d'équipement mise à terre soit séparés dans la boîte électrique des conducteurs sans mises à terre.¹⁵
- Assurez-vous que les bouts des fils coupés soient pointés vers le haut et soient poussés soigneusement dans la boîte électrique.¹⁶

3. BRANCHEMENT ÉLECTRIQUE (Suite)



N.B.: Lorsque les fils sont branchés, pousser soigneusement les fils et les écrous à fils dans la boîte électrique en vous assurant que les fils ne sont pas gênés par l'hémisphère ou la tige lorsque vous positionnez la ferrure de montage.

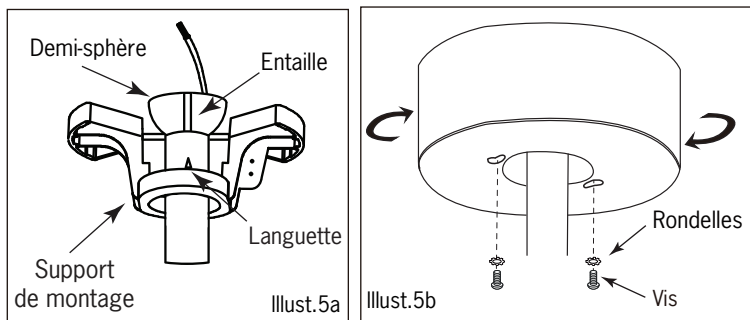
5. ASSEMBLAGE DU MOTEUR

- Sécurisez le canopé au support de montage à l'aide des rondelles et vis.

6. ENGAGEZ LA DEMI-SPHERE (Montage sur Tige Seulement)

- Tournez soigneusement le ventilateur jusqu'à ce la fente de la demi-sphère soit engagée dans l'entaille de la cloche.

MISE EN GARDE: Omettre d'insérer la languette dans l'ouverture prévue pourrait endommager les fils et causer une secousse électrique ou un incendie.



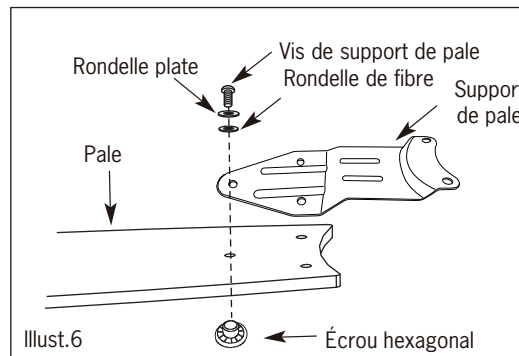
N.B.: Lorsque vous installez un ventilateur sur un plafond en pente, assurez-vous que l'entaille sur la ferrure soit face à la pente du plafond. Dépendant de l'angle de cette pente, une tige plus longue peut être requise afin d'empêcher les pales de cogner le plafond.

6. POSEZ LES SUPPORTS DES PALES AUX PALES

Supports de pale moulés

Repérez le paquet de quincaillerie.

- Posez les vis de support de pale dans la rondelle plate, la rondelle de fibre et la pale.
- Alignez avec les trous correspondants sur le support de pale.
- Répétez cette procédure pour les autres vis et serrez.



7. INSTALLATION DES PALES AU MOTEUR

- Retirez de l'emballage la quincaillerie contenant les vis de moteur, les rondelles de blocage et les joints.
- Posez des rondelles de blocage sur les vis de moteur, placez les vis de moteur sur les supports de pales, posez le joint de caoutchouc ou de fibre sur la vis et fixez au moteur. Assurez-vous que toutes les vis sont bien serrées.

