

LED LINKABLE UNDER-CABINET LIGHT WITH PLUG IN CORD INSTRUCTION MANUAL



WARNING

RISK OF ELECTRIC SHOCK

- Do not use in wet locations
- Use indoors only
- Turn power off before servicing - see instructions
- Ensure that no bare wires are exposed outside the electrical connections

PACKAGE CONTENTS

PART	DESCRIPTION	QTY
A	Swivel wand	1
B	Switch	1
C	Power cord	1
D	Link cord	1
E	Screw	2

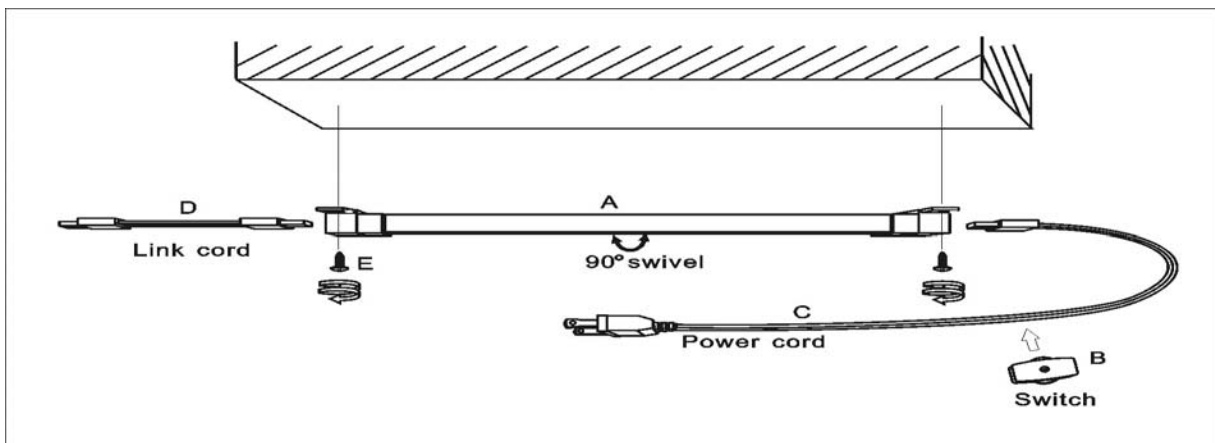
ASSEMBLY AND INSTALLATION INSTRUCTIONS

- 1) Read and understand instructions before proceeding with assembly and installation of this fixture.
- 2) If you have doubts about how to install a lighting fixture, or if fixture fails to operate correctly, please contact a local qualified licensed electrical contractor.
- 3) Before you start:
 - a) NEVER attempt to do any work without shutting off the electricity until the work is done. Go to the main fuse box in your home. Place main power switch in "off" position.
 - b) Unscrew the fuses that control the power to the fixture or room that you are working on.
 - c) Turn fixture to be replaced off! Place wall switch in off position.
- 4) All parts must be used as indicated in the assembly/installation instructions. Do not substitute any other parts, leave any part out, or use any parts which are damaged or broken. Failure to follow this instruction could invalidate the ETL listing.
- 5) If parts need to be replaced, use only authorized replacement parts.
- 6) Keep this sheet in a safe place and review it before doing any work on the fixture.

The hand-crafted beauty of this fixture is the result of tasteful design, experienced engineering, careful craftsmanship and a dedication to customer satisfaction.

- Be certain electric current is turned off before cleaning.
- Clean metal components with a soft cloth, moistened with a mild liquid soap solution. Clean and buff with a very soft dry cloth.

INSTALLATION PROCEDURES:



ONE-YEAR LIMITED WARRANTY

The manufacturer warrants this product to be free from defects in workmanship and material present at time of shipment from the factory for one year from the date of purchase. This warranty applies only to the original purchaser. The manufacturer agrees to correct such defect at no charge or at our option replace the product with a comparable or superior model.

Any damage to the product by accident, misuse or improper installation, or by affixing accessories not produced by the manufacturer, is the purchaser's responsibility. The manufacturer assumes no responsibility whatsoever for product installation during the warranty period.

There is no further expressed warranty. The manufacturer disclaims any and all implied warranties. The manufacturer shall not be liable for incidental, consequential or special damages arising at or in connection with product use or performance except as may otherwise be accorded by law. This warranty gives you specific legal rights and you may also have other rights which vary from province to province. This warranty supersedes all prior warranties.