

QUESTIONS OR CONCERNS CONTACT CANARM AT:

1-800-265-1833 (English) 1-800-567-2513 (French) 1-800-267-4427 (USA)  
Monday through Friday 8:00 AM to 5:00 PM E.S.T.



INSTRUCTIONS PERTAINING TO RISK OF FIRE OR INJURY TO PERSONS  
READ ALL INSTRUCTIONS

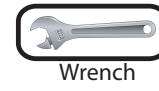
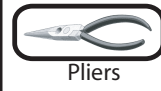
## IMPORTANT SAFETY INSTRUCTIONS

SAVE THESE INSTRUCTIONS

### TOOLS AND MATERIALS REQUIRED:



Wiring supplies as required by electrical code

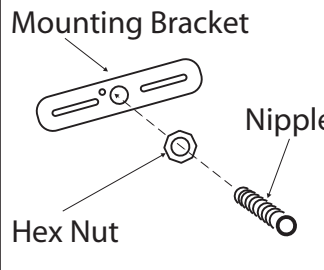


### SAFETY PRECAUTIONS:

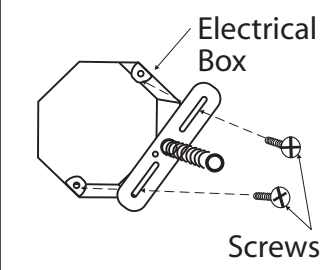
1. TURN OFF ELECTRICAL POWER BEFORE STARTING INSTALLATION OF LIGHT FIXTURE.
2. THIS PRODUCT MUST BE INSTALLED IN ACCORDANCE WITH THE APPLICABLE INSTALLATION CODE BY A PERSON FAMILIAR WITH THE CONSTRUCTION AND OPERATION OF THE PRODUCT AND THE HAZARDS INVOLVED.
3. CONNECT THE GROUND WIRES (BARE COPPER OR GREEN) FROM YOUR FIXTURE TO THE GROUND WIRE (BARE COPPER OR GREEN) OR GROUND SCREW IN THE ELECTRICAL OUTLET BOX.

**NOTE: Product May Not Look Exactly As Shown In Figures.**

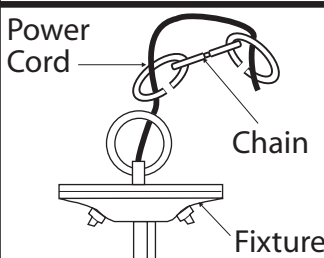
### INSTALLATION:



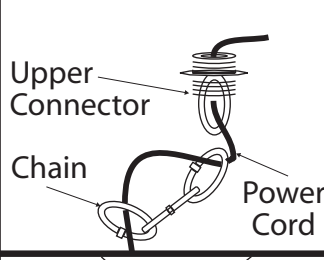
Mounting Bracket  
Nipple  
Hex Nut



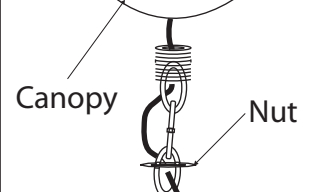
Electrical Box  
Screws



Power Cord  
Chain  
Fixture



Upper Connector  
Chain  
Power Cord



Canopy  
Nut

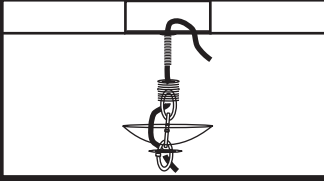
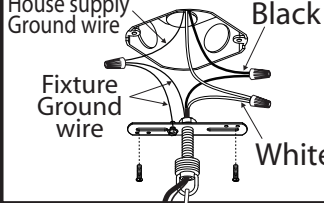
1. Attach nipple to mounting bracket. Adjust so nipple will extend beyond canopy when installed. Spin hex nut over nipple and tighten against mounting bracket, locking in place.

2. Attach mounting bracket to electrical box using electrical box screws (not included).

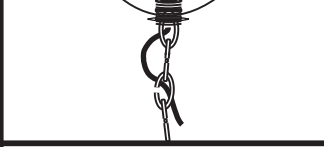
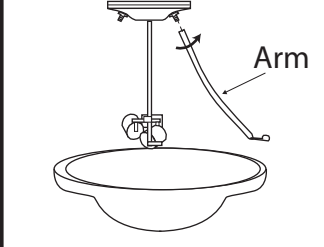
3. Twist loop of chain open and attach to fixture. Close loop on chain and weave power cord through loops in chain.

4. Twist the loop at the other end of the chain and attach to upper connector. Close loop on chain and feed power cord through upper connector.

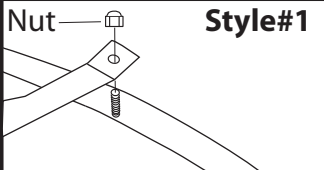
5. Spin nut off of upper connector and slip power cord and upper connector through canopy.

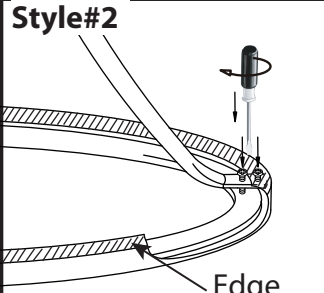
House supply Ground wire  
Black  
White  
Fixture Ground wire

Arm



Nut  
Style#1



Style#2  
Edge

6. Feed power cord through nipple and tighten upper connector to nipple.

7. Connect the ground wires (bare copper or green) from your fixture to the ground wire (bare copper or green) or ground screw in the electrical outlet box. Connect the black wire (or wire marked "SPT-1") from the fixture to the black wire in the electrical box and connect the white wire from the fixture to the white wire in the electrical box.

8. Tuck electrical wires into electrical box. Slide canopy into position and tighten in place by sliding upper connector nut into position and tighten.

9. Screw the arms into the studs. position the arms in place.

10. **Note: Refer to the style of assembly that matches the style of your fixture.**

**Style#1:** Tighten the arm onto the screw by nut. Repeat for other arms.

**Style#2:** Set glass in pan. Slide the arms under the edge. Insert screw through the hole at the end of the arm. Tighten the screw through the arm and into the glass to lock the arm in place. Repeat for other arms.

11. Install proper bulb type and wattage (not included).