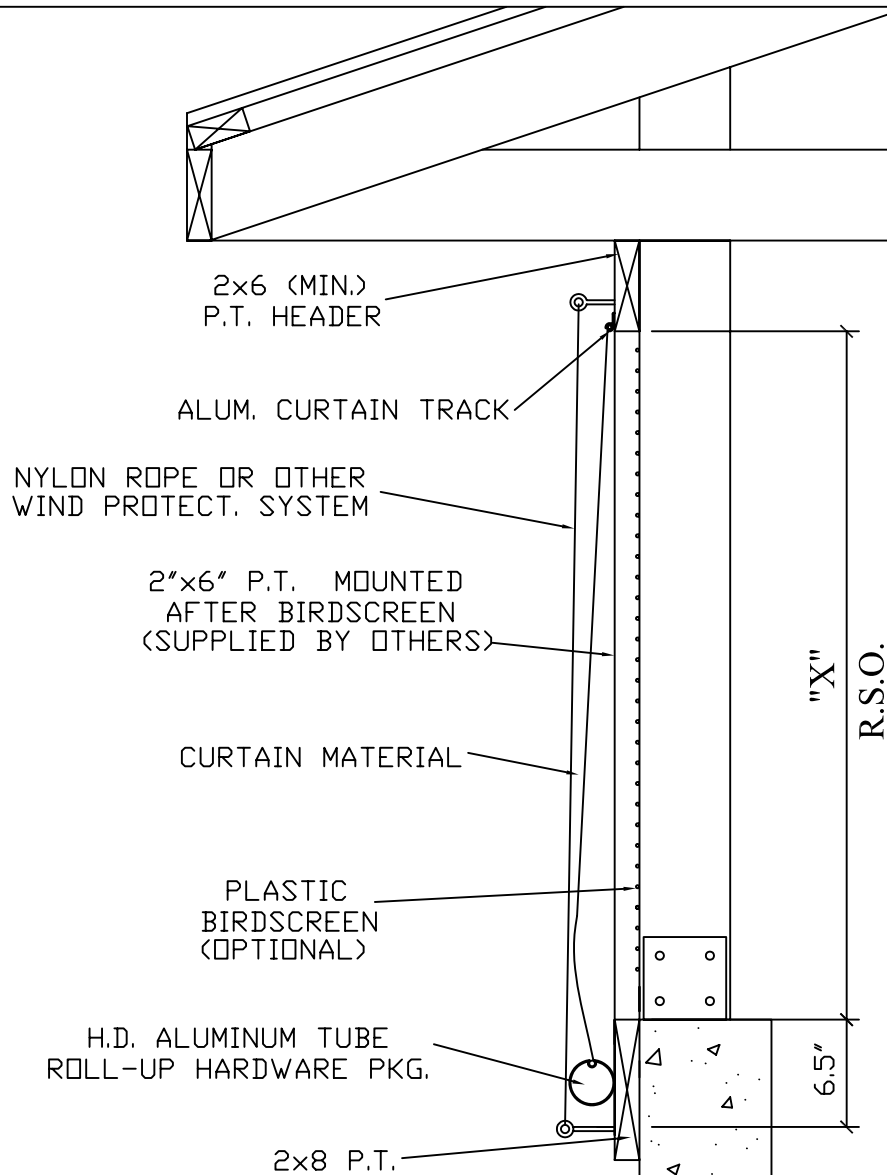


# HEAVY DUTY ALUMINUM ROLL UP CURTAIN



## FRAMING OPENING:

CURTAIN SIZE:	ROUGH SIZE OPENING ("X")
6 FT.	5'-6"
7 FT.	6'-6"
8 FT.	7'-6"
9 FT.	8'-6"
10 FT.	9'-6"
11 FT.	10'-6"
12 FT.	11'-6"

**FAROMOR**

P.O. Box 279, RR#1  
Shakespeare, Ontario.  
NOB 2P0 - (519) 625-8000

TITLE: HEAVY DUTY ALUMINUM ROLL-UP CURTAIN (POST ON CONCRETE)

PROJECT / OWNER:

DRAWN: FEBRUARY 2004

DWG. FILE: 04-2200-R-P-C