



VK SERIES

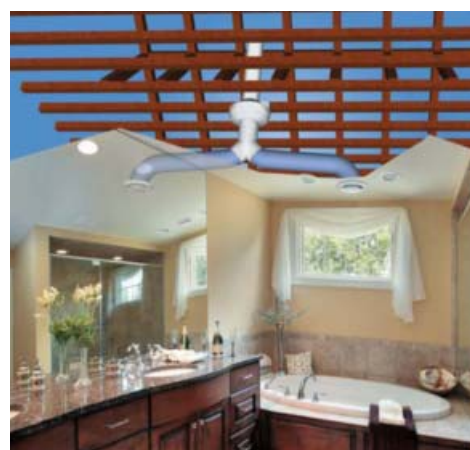
Inline Centrifugal Fans for High Static Pressure Applications

Suitable for a wide range of residential and commercial exhaust or supply air applications, such as bathroom exhaust, kitchen ventilation, restaurants, living areas, whole house ventilation, duct boosting, workshops & smoking areas or equipment cooling.

The VENTS VK Series duct mounted centrifugal inline fans assure efficient and reliable operation. The fans are fitted with backward curved centrifugal impeller driven by powerful sealed external rotor motor with lifelong bearings and thermal protection. This powerful combination enables the VENTS VK fans to deliver exceptional airflow performances even in high static pressure systems. The fans' casing is made of high quality, UV-resistant plastic (flame rating- 5VA). The VK Series is specially designed for simple installation and maintenance free operation. Fans are supplied with an easy to fit mounting bracket and can be mounted at any angle and at any point along the duct.

FEATURES

- Sizes available from 4" - 12 3/8".
- High static pressure applications.
- Backward curved centrifugal impeller.
- Quiet external rotor motor with thermal overload protection.
- Ideal for long duct runs.
- Quiet and powerful.
- Vibration free operation.
- Energy efficient.
- Maintenance free.
- Easy installation.
- Corrosion resistant.
- UV resistant, UL94 certified plastic
- Pre-wired and supplied with mounting bracket for easy installation.
- 5 year warranty.

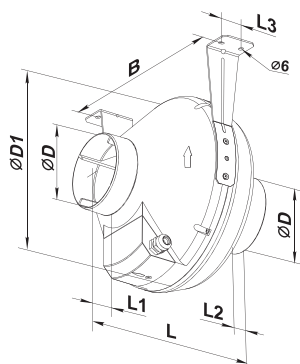


PERFORMANCE SPECIFICATIONS

MODEL	RPM*	SONES	DUCT DIA.	WATTS*	CFM VS. STATIC PRESSURE (Ps) IN WG										VOLTS
					0"	0.125"	0.2"	0.25"	0.375"	0.5"	0.75"	1.0"	1.25"	1.5"	
VK 100	3088	8.5	4"	106	162	155	150	147	141	134	120	104	87	67	120 / 60
VK 125	2960	7.1	5"	114	235	222	214	207	193	178	151	123	99	72	120 / 60
VK 150	2907	7.2	6"	113	317	300	289	282	265	247	212	178	132	68	120 / 60
VK 200	3016	8.1	8"	140	507	481	465	455	423	395	343	287	238	189	120 / 60
VK 250	2604	10.2	10"	293	735	699	675	658	625	558	507	432	369	307	120 / 60
VK 315	2641	11.5	12 3/8"	269	871	817	779	758	703	635	501	393	324	266	120 / 60

* The parameters RPM, Watts are indicated at 0.2 in WG static pressure.

DIMENSIONS



MODEL	DIMENSIONS (Inches)							WEIGHT (lbs)
	ØD	ØD1	B	L	L1	L2	L3	
VK 100	3 15/16"	9 13/16"	10 5/8"	9 1/16"	1 3/16"	1 1/16"	1 3/16"	4.7
VK 125	4 15/16"	9 13/16"	10 5/8"	8 11/16"	1 3/16"	1 1/16"	1 3/16"	4.9
VK 150	5 7/8"	11 13/16"	12 3/16"	11 1/4"	1 3/16"	1 3/16"	1 3/16"	5.7
VK 200	7 7/8"	13 3/8"	13 15/16"	10 7/8"	1 3/16"	1 3/16"	1 9/16"	8.8
VK 250	9 13/16"	13 3/8"	13 15/16"	10 7/16"	1 3/16"	1 3/16"	1 9/16"	9.9
VK 315	12 3/8"	15 3/4"	16 5/16"	16 5/16"	1 9/16"	2 3/16"	1 9/16"	11.2

For more information on available accessories, see pages J8-J11 in Accessories & Motors section.