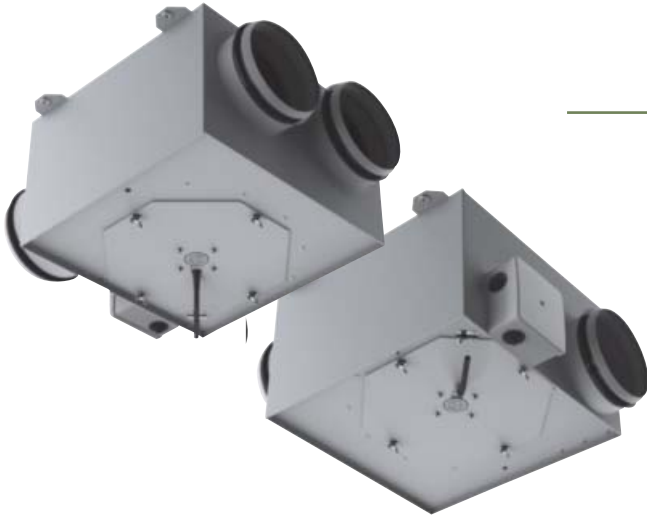


# VKP SERIES

## Inline Centrifugal Fans - Back Curved Impeller



**Designed for extract and input ventilation. Ideal for apartments & condos.**

VKP fans are specially designed for extract and input ventilation and is the perfect air movement solution for areas with tight spaces providing small to medium airflow. The VKP series is suitable for general ventilation and dryer exhaust application. The fans offer a variety of choices of extract and input ventilation options and enables ducting from multiple sources.



### FEATURES

- Excellent aerodynamics and low noise.
- External rotor motor on ball bearings and the backward curved, balanced impeller is suitable for high pressure application, prevent vibration and ensure quiet operation.
- Fan housing is made of galvanized steel.
- VKP 125/125\*2 and VKP 150/150\*2 models are available with two inlets.
- Suitable for low ceilings and tight spaces.
- Hinges provide quick and fast access to the motor for easy cleaning and maintenance.
- Vertical or horizontal installation.
- 5 year warranty.

### DRYER EXHAUST APPLICATION EXAMPLE



### PERFORMANCE SPECIFICATIONS

MODEL	WATTS*	AMPS*	DUCT DIA.	CFM VS. STATIC PRESSURE (Ps) IN WG												MAX Ps	VOLTS / HZ
				0"	0.1"	0.2"	0.3"	0.4"	0.5"	0.6"	0.7"	0.8"	0.9"	1"			
VKP 100	30	0.27	4"	104	98	94	89	84	77	69	61	52	43	33	1.2	120 / 60	
VKP 125	67	0.56	5"	212	208	201	192	182	172	162	152	142	132	120	1.6	120 / 60	
VKP 150	102	0.85	6"	295	287	278	270	260	251	242	233	225	215	206	3	120 / 60	
VKP 125/125*2	74	0.61	5" / 5"	244	234	223	213	204	194	183	170	160	150	140	1.9	120 / 60	
VKP 150/150*2	119	1	6" / 6"	360	348	332	316	302	289	272	259	245	323	220	3	120 / 60	

### DIMENSIONS

MODEL	DIMENSIONS (Inches)					Figure
	ØD	ØD1	L	B	H	
VKP 100	3 15/16"	3 15/16"	13 7/8"	9 7/8"	6 3/8"	1
VKP 125	4 7/8"	4 7/8"	16 3/16"	12 3/16"	7 1/2"	1
VKP 150	5 7/8"	5 7/8"	18 3/16"	15 7/16"	7 1/2"	1
VKP 125/125*2	4 7/8"	4 7/8"	16 3/16"	12 3/16"	7 1/2"	2
VKP 150/150*2	5 7/8"	5 7/8"	18 3/16"	15 7/16"	7 1/2"	2

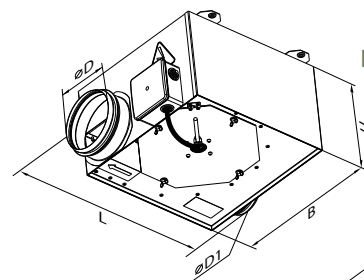
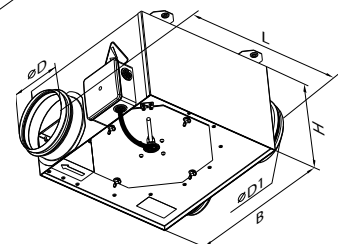


FIGURE 1 - Inline Dryer Booster Fan

FIGURE 2 - Twin Intake Fan



### ACCESSORIES

For more information on available accessories, see pages J8-J11 in Accessories & Motors section.