



# VENTO EXPERT DUO A30-1 W

## Single Room Heat & Energy Recovery Units



- Arrangement of balanced energy saving, supply and exhaust, single-room ventilation in kitchens, bathrooms and utility rooms.
- Reduces heat loss by mixing outside and inside air.
- Wi-Fi communication between several single-room ventilation units for coordinated operation. Controlled by Android or IOS smartphone or tablet.

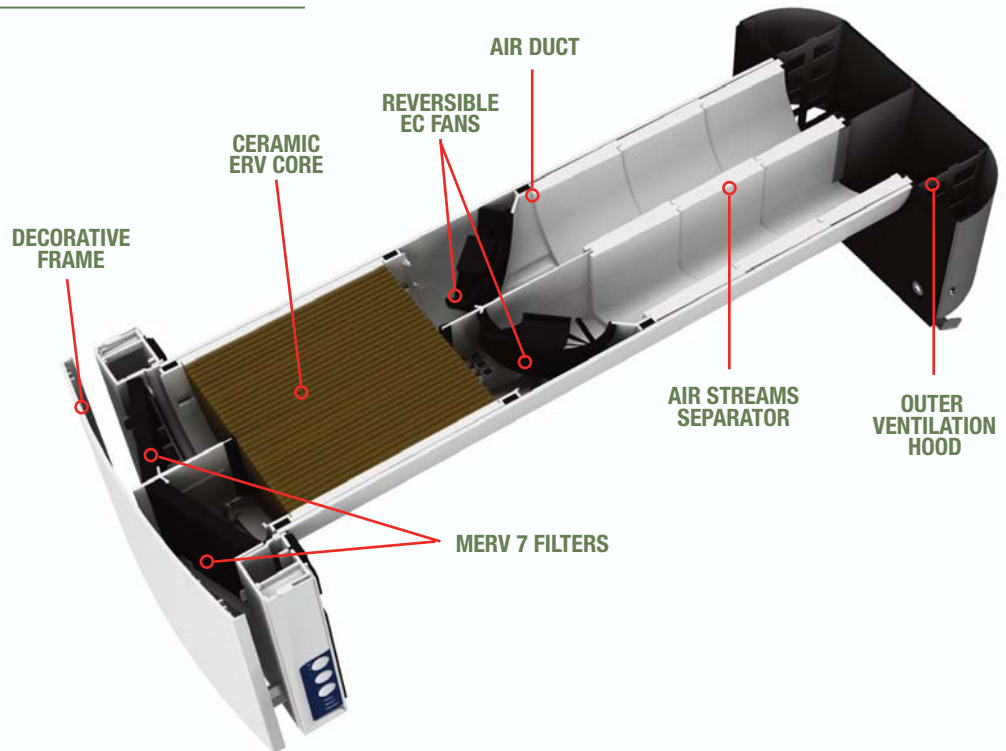
### DESIGN



Innovative hexagonal structure of the heat exchanger cells provides the best regeneration efficiency on the market.



Built-in Wi-Fi for wireless communication between units and Android or IOS device control.



### CONTROL

Control of the unit operation mode is performed by means of smartphone, sensor control panel located on the unit casing or a remote controller.

VENTO Expert Duo either can operate as independent unit, or can be wired with other units in a house to be controlled with a master unit. In this case, only the master unit receives a signal from the remote control.

VENTO Expert Duo is equipped with a humidity sensor for indoor humidity control. If humidity rises higher than the set point, the unit will switch to high speed independently from other units in the system.



- Speed selection and OFF button
- Energy recovery mode
- Ventilation mode



- ON/OFF button
- 3 unit speed
- Ventilation mode
- Energy recovery mode
- Night timer: low speed for 8 hours
- Party timer: high speed for 4 hours

# VENTO EXPERT DUO A30-1 W

## Single Room Heat & Energy Recovery Units

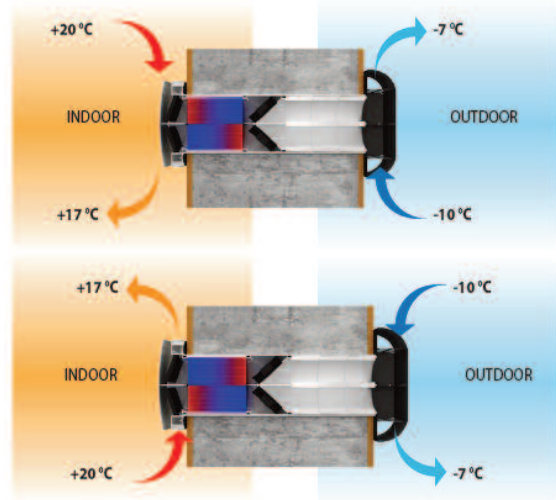
### WINTER OPERATION

#### Phase 1 (70 seconds)

- One fan supplies fresh and cold air from outdoor, which flows through the correspondent part of the ceramic regenerator and absorbs accumulated heat and humidity.
- At the same time, another fan extracts stale and warm air from indoor, that flows through the other part of the ceramic regenerator and transfers heat energy and moisture to it.

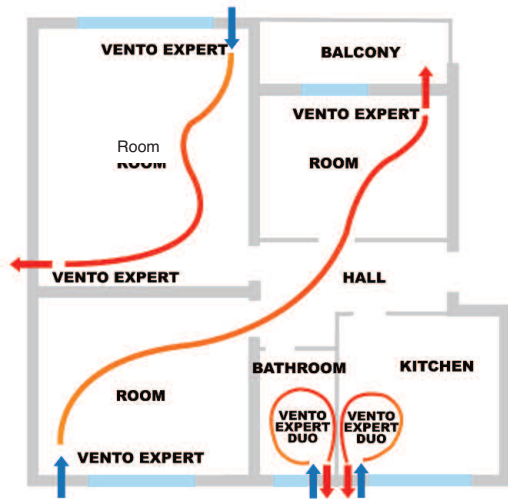
#### Phase 2 (70 seconds)

- After 70 seconds of operation, fans reverse their direction of rotation, and everything happens vice versa.

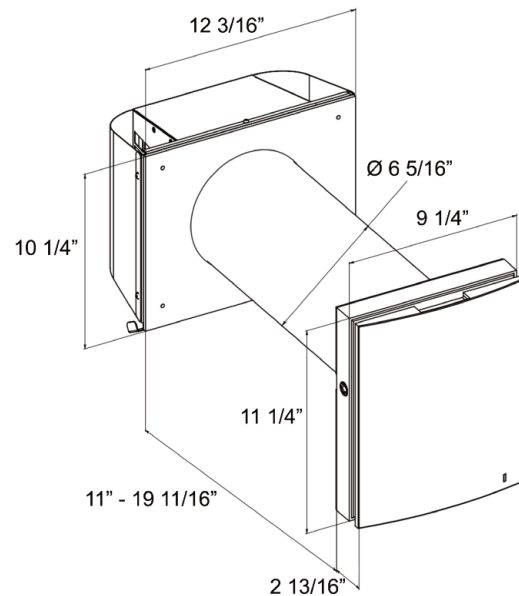


### MOUNTING

VENTO Expert A50-1 W units should be installed in the living room and bedrooms while VENTO Expert Duo A30-1 W should be installed in kitchen, bathrooms and utility room. The unit is designed for through-the-wall installation inside a prepared hole in an outer wall of the building.



### DIMENSIONS



### SPECIFICATIONS

MODEL	SPEED	VOLTAGE	POWER (W)	CURRENT (A)	CFM		RPM (MIN.)	SONES		RECOVERY EFFICIENCY (%)	INGRESS PROTECTION RATING
					AIRING MODE	ENERGY RECOVERY MODE		(@ 3.3 FT)	(@ 9.9 FT)		
VENTO EXPERT DUO A30-1W	1	100-240	12	0.026	6	3	1600	1.2	0.5	85	IP24
	2		21	0.039	12	6	2200	2	1	80	
	3		45	0.066	18	9	2500	2.5	1.25	75	

Recovery efficiency [%] in accordance with DIBt LÜ-A 20

### ACCESSORIES

ACCESSORY	DESCRIPTION
FP VENTO Expert DUO A30 G3	MERV 7 filter kit (2 pcs.)
FP VENTO Expert A30	Remote control