

# TURBO TUBE SILENT M SERIES

Quiet and Energy Efficient Fans In Metal Noise Absorbing Case



Ideal for bathrooms, kitchens, apartments, offices, libraries, education facilities, galleries and more.

Following the latest worldwide ventilation trends, we developed a new **INLINE MIXED FLOW FAN - TURBO TUBE SILENT M** series - with super low noise and excellent aerodynamics.

**TURBO TUBE SILENT M** fans provide ultra quiet operation & excellent airflow even in high pressure systems. The specially designed and optimized case and the new aerodynamic mixed flow impeller ensure the highest performance.

## FEATURES

- Silent Operation: 0.3 – 4.0 Sones.
- High Performance - up to 1050 CFM.
- Energy Efficient - 22 – 353 W.
- Duct Compatibility: 4", 5", 6", 8", 10", 12 3/8".
- Compatible with high pressure system.
- Double Speed capacitor motor with thermal overload protection.
- Long-life ball bearing (up to 40,000 hours).
- Built-in speed control switch & power cord .
- Durable metal noise absorbing case.
- Rotary and removable central body for easy installation & maintenance.
- Compact size for limited spaces.
- Vibration free operation.
- 5 year warranty.

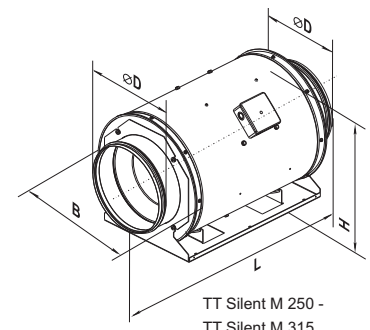
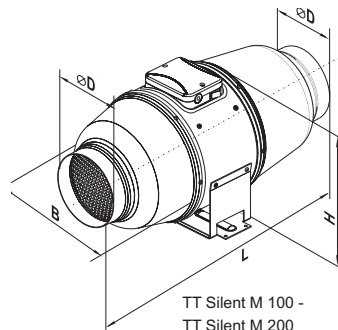
## PERFORMANCE SPECIFICATIONS

MODEL	SPEED	RPM*	SONES	DUCT DIA.	WATTS*	AMPS*	CFM VS. STATIC PRESSURE (Ps) IN WG										VOLTS/Hz		
							0"	0.1"	0.2"	0.3"	0.4"	0.5"	0.6"	0.7"	0.8"	0.9"		1"	
TT Silent M 100	high	2363	1.2	4"	28	0.24	128	113	97	76	56	32	10	-	-	-	-	-	120V/60Hz
	low	2065	0.3		22	0.2	99	81	62	40	12	-	-	-	-	-	-	-	
TT Silent M 125	high	2303	0.9	5"	35	0.3	188	174	158	130	94	60	30	0	-	-	-	-	120V/60Hz
	low	1990	0.4		23	0.22	116	90	68	38	0	-	-	-	-	-	-	-	
TT Silent M 150	high	2570	2.0	6"	67	0.55	327	314	299	284	266	245	224	190	140	89	48	120V/60Hz	
	low	1847	1.0		53	0.45	240	220	192	171	135	111	86	56	28	5	-		-
TT Silent M 200	high	2303	2.0	8"	111	0.93	473	455	432	405	379	352	313	274	221	155	89	120V/60Hz	
	low	1990	0.7		70	0.58	349	323	294	249	203	158	108	57	26	13	0		-
TT Silent M 250	high	2570	4.0	10"	200	1.68	880	874	866	858	850	842	832	821	794	751	708	120V/60Hz	
	low	1847	2.0		130	1.11	655	648	630	608	587	565	531	497	450	390	330		-
TT Silent M 315	high	2570	3.5	12 3/8"	353	2.95	1050	1026	999	971	942	914	884	853	823	794	764	120V/60Hz	
	low	1847	2.0		236	1.95	830	804	770	726	682	638	581	524	464	399	335		-

\* The parameters RPM, Watts, Amps are indicated at 0.2 in WG static pressure.

## DIMENSIONS

MODEL	DIMENSIONS (Inches)			
	ØD	B	H	L
TT Silent M 100	3 7/8"	8 1/2"	9 7/16"	19 7/8"
TT Silent M 125	4 13/16"	8 9/16"	9 3/8"	18 11/16"
TT Silent M 150	5 13/16"	9 3/4"	10 3/16"	22 13/16"
TT Silent M 200	7 13/16"	9 11/16"	10 15/16"	20 7/16"
TT Silent M 250	9 13/16"	14 3/4"	14 5/16"	25 3/16"
TT Silent M 315	12 3/8"	17 1/8"	17 3/8"	31 7/8"



## ACCESSORIES

For more information on available accessories, see pages J8-J11 in Accessories & Motors section.