

SOLO A35 SERIES

Wall Ventilator with Heat & Energy Recovery



- Supply clean fresh air to the premises
- Remove stale extract air from the premise
- Cleans the air of dust and insects
- Prevent excessive humidity and appearance of mold
- Protects against outdoor noise
- Recovers heat and provides humidity balance inside
- Reduces the heating costs in winter and air conditioning costs in summer
- Low energy demand

OPERATION

- Energy is recovered by reversing the operation of the ventilator, which consists of two cycles:

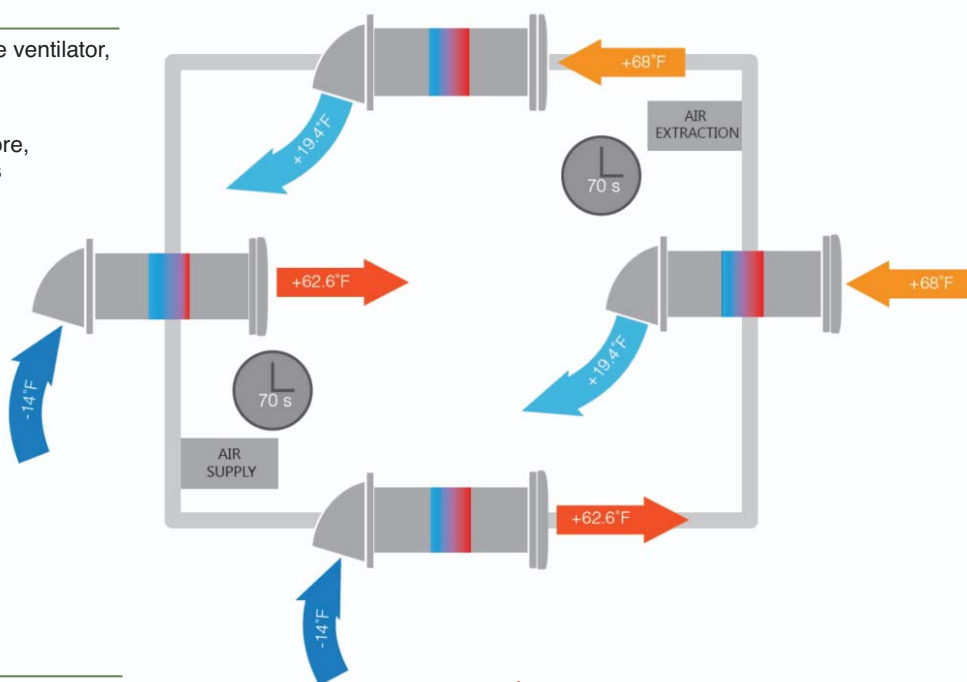
CYCLE I.

As warm stale extract air flows through the ceramic core, it heats up and moisturizes the core. In 70 seconds as the ceramic core warms, the ventilator automatically switches to air supply mode.

CYCLE II.

Fresh, cold intake air from outside flows through the ceramic core, absorbs accumulated moisture and is heated to the room temperature. In 70 seconds as the core cools down, the ventilator switches to air extract mode and the cycle is renewed.

- The air supply and the Air Extract modes are switched every 70 seconds.



DESIGN

• Fan

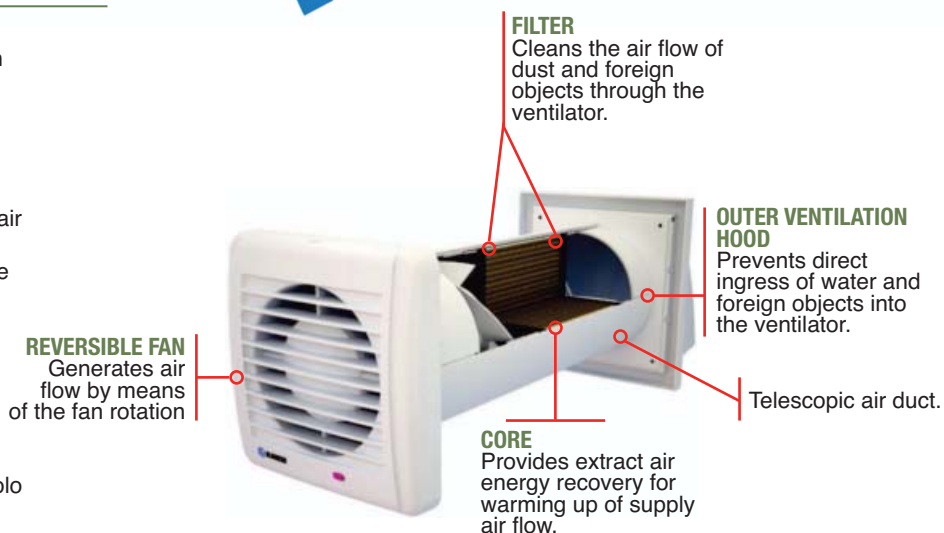
Air is supplied or extracted by a reversible axial fan with EC motor. With EC technology the fan has a lower energy demand. The motor has overheating protection and ball bearings for longer service life.

• Air Filters

Two built-in filters are used to clean supply and extract air flows. The filters clean the air of dust and insects and prevent build up in the ventilator parts. The filters can be cleaned either with a vacuum cleaner or flushed with water.

• Energy Core

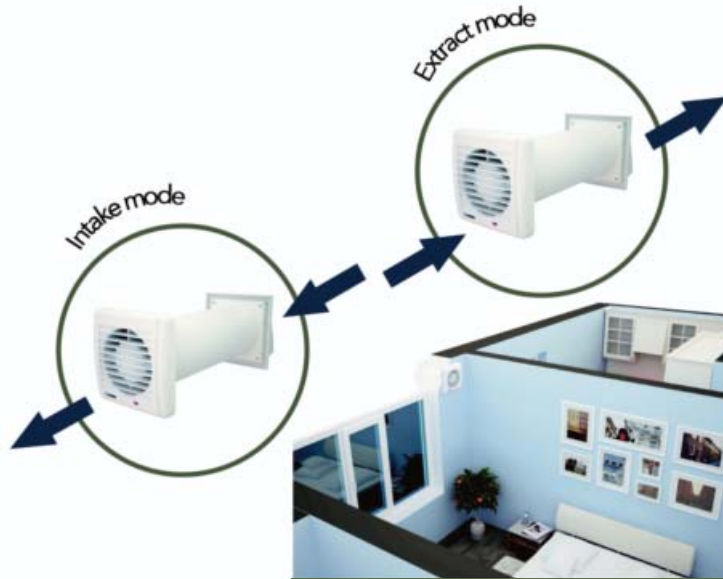
The high-technology energy core is used for extract air heat energy recovery and supply air heating. The Solo A35A S4 Pro P is equipped with the aluminium energy core with recovery efficiency up to 75 %. The Solo A35 S4 Pro P is equipped with the ceramic energy core with recovery efficiency up to 85 %.



SOLO A35 SERIES

Wall Ventilator with Heat & Energy Recovery

MOUNTING EXAMPLE



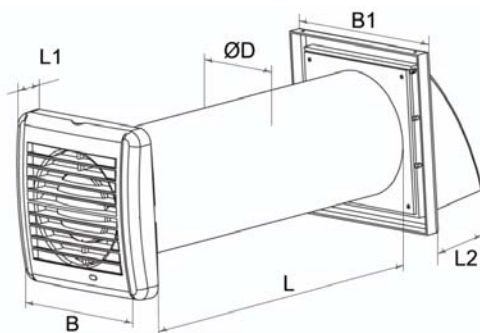
SPECIFICATIONS

MODEL	SPEED	VOLTAGE (V/ 50-60 HZ)	POWER (W)	CURRENT (A)	CFM	SONES*	MAX. TRANSPORTED AIR TEMP (F)	HEAT RECOVERY EFFICIENCY (%)	CORE TYPE	ENERGY EFFICIENCY CLASS	INGRESS PROTECTION RATING
SOLO A35A S4 PRO P	1	120-230	1.43	0.032	14	0.8	-22 up to +122	75	Aluminum	A	IP24
	2		1.92	0.034	21	1.3					
SOLO A35 S4 PRO P	1	120-230	1.36	0.031	18	0.8	-22 up to +122	85	Ceramic	A	
	2		1.89	0.034	27	1.3					

*Sound pressure level at 9.9 ft. distance

DIMENSIONS

DIMENSIONS					
ØD	B	B1	L	L1	L2
4 1/16"	5 15/16"	6"	11 13/16" - 22 13/16"	1 3/16"	3 5/16"



CONTROL

