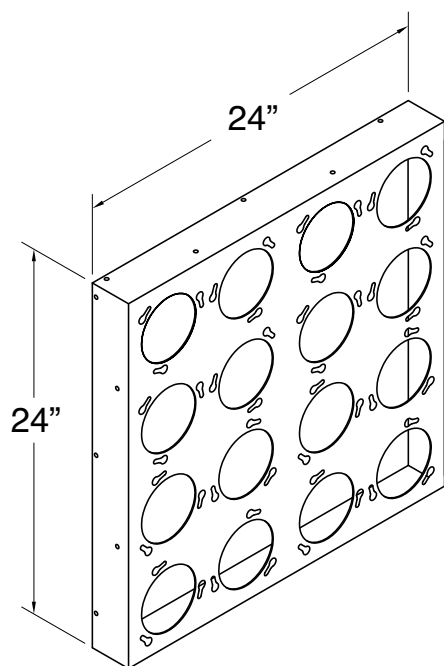




FEATURES

- **Wheel Diameters:** 12" with other options coming soon
- **CFM:** Up to 2000 in a single blower.
- Constructed from galvanized steel for durability.
- Forward Curved blowers operate at low RPM for low noise levels.
- Heavy duty ball bearings suitable for -65° F to +250° F.
- Saddle type motor mounting platform provides extended belt tension adjustment range on all IDB models.



SCENTINEL-IDB

Forward Curved Odour Control Blower Kit

- Carbon infused odour treatment system for recirculating, redistributing or exhausting air.
- Durable galvanized, steel construction.
- Delhi blowers will not “surge”, “hunt” or “stall.”
- Ideal for indoor applications.
- Optional variable pitch motor pulley permits field adjustment (typically + or - 15%) to match air delivery needs.
- Quiet forward curved blowers operate at 1/2 the RPM of other inline blowers.



Advanced high efficiency filter system. Includes modular corrosion resistant canister filters with maximum absorbent media.

INDUSTRIES SERVED

- Licensed Medical Cannabis Producers
- Commercial HVAC
- Ventilation
- Heating
- Cooling
- Construction

TYPICAL APPLICATIONS FOR OUR ODOUR CONTROL BLOWERS

- An odour abatement fan for licensed medical cannabis producers.
- Can be used as exhaust, redistribution or recirculation.
- As an air moving module for systems built up with other components such as heating/cooling coils.
- Noise sensitive areas - the low RPM forward curved wheel typically radiates less vibration than higher RPM backward inclined wheel solutions.

PERFORMANCE SPECIFICATIONS

MODEL	TYPICAL MAXIMUM CFM @ SP					Min HP	Max HP
	1/2" SP	1" SP	1 1/2" SP	2" SP	2 1/2" SP		
SCENTINEL-IDB10	1000	1000	1000	1000	1000	1/6	1 1/2
SCENTINEL-IDB12	2000	2000	2000	2000	1500	1/6	1 1/2

NOTE: SP from filters is 0.70" SP

