



RTA-SH - SMOKE & HEAT REMOVAL BELT DRIVE ROOF EXHAUSTERS

Belt drive, heavy duty construction ideal for industrial & commercial applications.

RTA-SH model suitable for normal use in clean, dry air with a maximum ambient temperature of 93° C (200° F).

RTA-SH is designed to exhaust smoke in the event of a fire. It is in compliance with smoke control systems requirements of 500°F for 4 hours and 1000°F for 15 minutes. Two spring loaded arms are released when temperatures reach above 165°F to force open the dampers.

FEATURES

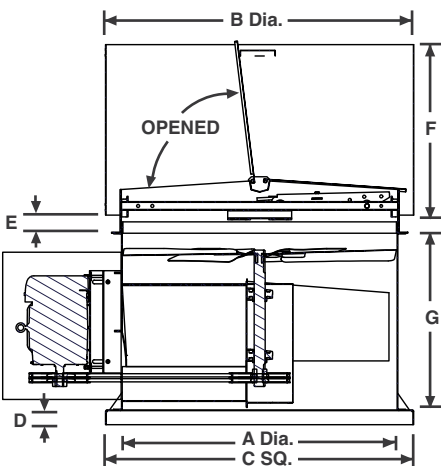
- TEFC, ball bearing motor is out of air stream and is accessible from the roof
- Galvanized steel wind-band and rain-proof butterfly dampers.
- Heavy duty pulleys and belts out of air stream

HIGH HEAT FEATURES

- Heavy gauge steel prop
- High heat cast iron pillow block bearings (out of air stream), complete with external grease fittings
- 500° F for 4 hours and 1000° F for 15 minutes
- Arms rated for snow load of 10 lbs/ft²

DIMENSIONS

MODEL #	A Dia.	B Dia.	C Sq.	D	E	F	G
RTA-SH42	42 3/8"	48 5/8"	48"	2 1/2"	2	27	27
RTA-SH48	48 1/2"	54 5/8"	54"	2 1/2"	2	30	31
RTA-SH54	54 1/2"	60 5/8"	60"	2 1/2"	2	36	40



Roof Exhausters are non-stock items and are non-cancelable and non-refundable without prior authorization.

SPECIFICATIONS

To order RWTA models, replace "RTA" with "RWTA" in the table below.

BLADE DIAMETER	MODEL #		FAN RPM	H.P.	0" S.P.		1/4" S.P.		1/2" S.P.		3/4" S.P.		1" S.P.		Min. CFM	dBA @ 10Ft.
	SINGLE PHASE	THREE PHASE			CFM	BHP	CFM	BHP	CFM	BHP	CFM	BHP	CFM	BHP		
42"	RTA42SHT10200	RTA42SHT30200*	770	2	19920	1.65	15080	1.80	-	-	-	-	-	-	14000	61
	RTA42SHT10300	RTA42SHT30300*	895	3	22840	2.60	19620	2.80	14940	2.9	-	-	-	-	14000	65
	RTA42SHT10500	RTA42SHT30500*	1005	5	25980	3.66	23230	3.89	19980	4.01	-	-	-	-	14000	67
	RTA42SHT10750	RTA42SHT30750*	1205	7.5	31520	6.26	29530	6.54	27040	6.78	24230	6.89	20270	7.07	14000	72
	RTA42SHT11000	RTA42SHT31000*	1335	10	35170	8.49	33410	8.76	31270	9.08	29020	9.32	26230	9.39	14000	75
48"	RTA48SHT10300	RTA48SHT30300*	745	3	24330	2.55	20510	2.76	-	-	-	-	-	-	18000	63
	RTA48SHT10500	RTA48SHT30500*	885	5	29440	4.10	26370	4.46	22380	4.72	-	-	-	-	18000	67
	RTA48SHT10750	RTA48SHT30750*	1005	7.5	33850	5.93	31080	6.47	28330	6.81	24740	6.96	-	-	18000	71
	RTA48SHT11000	RTA48SHT31000*	1105	10	37270	7.89	34760	8.54	32520	8.99	29760	9.11	26140	9.29	18000	73
	--	RTA48SHT31500*	1265	15	42900	11.70	40860	12.30	38790	13.13	36270	13.54	34290	13.66	18000	76
54"	RTA54SHT10500	RTA54SHT30500*	710	5	37130	4.26	31680	4.67	-	-	-	-	-	-	23000	68
	RTA54SHT10750	RTA54SHT30750*	810	7.5	42890	6.20	38660	6.85	33210	6.99	25390	6.87	-	-	23000	71
	RTA54SHT11000	RTA54SHT31000*	905	10	48450	8.54	44640	9.41	40140	9.73	34980	9.78	27220	9.53	23000	74
	--	RTA54SHT31500*	1025	15	55520	12.10	52110	12.92	48280	13.81	44310	14.17	39660	14.22	23000	78

For three phase motors, substitute "*" with "M" for 230/460 volt (If 208V required please specify) or "P" for 575 volt

BHP does not include drive losses

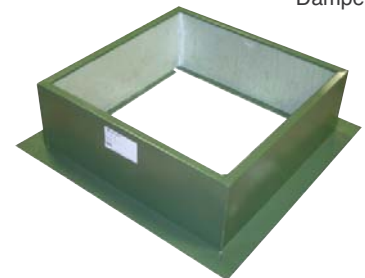
dBA ratings shown are measured at 0" static pressure and should be used as a guideline only

ACCESSORIES

RC ROOF CURB

- For Canarm Roof Exhaust fans.
- Sturdy powder coated, 16 gauge steel.
- 3" flanges
- 1" SM insulation
- Damper shelf

FAN SIZE	MODEL NUMBER
42"	RC42
48"	RC48
54"	RC54



DISCONNECT SWITCHES

- Wire disconnect switches are available. See Controls & Thermostats section for details.