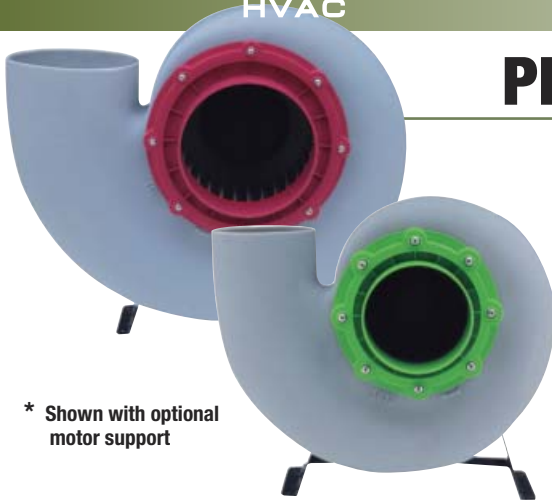


# PLASTEC POLYPROPYLENE BLOWERS

The PLASTEC series polypropylene blowers are designed to work in highly corrosive air applications such as laboratory exhaust or the chemical industry. Housings are constructed of strong, high-density UV treated polypropylene for maximum corrosion resistance. Housings are made of a single piece to avoid leaks. Housings are reversible and rotatable to any of the 8 standard discharge positions.

## FEATURES

- Housings constructed of strong, high density UV treated polypropylene for maximum corrosion resistance.
- One piece housing to avoid leakage.
- Housing is reversible and rotatable to any of the 8 standard discharge positions.
- Wheels are both electronically and dynamically balanced.
- Direct drive, heavy duty ball bearing motors for continuous duty.
- Totally enclosed, fan cooled motors (TEFC) or high efficient explosion proof motors.



\* Shown with optional motor support

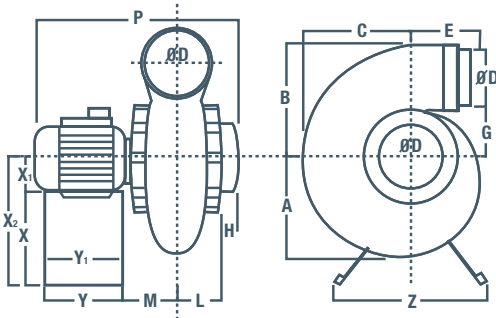
## PERFORMANCE DATA

	MODEL #		INLET/OUTLET SIZE (OD) INCHES	RPM	H.P.	CFM								
	SINGLE PHASE	THREE PHASE				0"	1/4"	1/2"	3/4"	1"	1 1/2"	2"	2 1/2"	4"
<b>TEFC</b>														
15	P15T10025C	P15T30025C-*	4.92/4.92	1140	1/4	200	50	-	-	-	-	-	-	-
	P15T10033B	P15T30033B-*	4.92/4.92	1725	1/3	-	270	170	-	-	-	-	-	-
	P15T10050A	P15T30050A-*	4.92/4.92	3450	1/2	-	-	-	530	510	430	325	-	-
20	P20T10025C	P20T30025C-*	6.30/6.62	1140	1/4	-	500	350	-	-	-	-	-	-
	P20T10033B	P20T30033B-*	6.30/6.62	1725	1/3	-	-	800	700	600	100	-	-	-
	P20T10150A	P20T30150A-*	6.30/6.62	3450	1 1/2	-	-	-	-	-	-	-	1150	800
25	P25T10033C	P25T30033C-*	7.82/8.62	1140	1/3	-	1000	900	600	-	-	-	-	-
	P25T10075B	P25T30075B-*	7.82/8.62	1725	3/4	-	-	-	1500	1400	1100	500	-	-
	-	P25T30300A-*	7.82/8.62	3450	3	-	-	-	-	-	-	-	-	2250
30	P30T10075C	P30T30075C-*	9.84/10.75	1140	3/4	-	2000	1800	1600	1400	-	-	-	-
	P30T10200B	P30T30200B-*	9.84/10.75	1725	2	-	-	-	-	-	2700	2350	2050	-
35	-	P35T30200D	12.75/12.75	850	2	-	-	3250	3000	2500	-	-	-	-
	-	P35T30500C	12.75/12.75	1140	5	-	-	-	-	4100	3750	3000	-	-
	-	P35T31000B	12.75/12.75	1750	10	-	-	-	-	-	-	-	-	3500
<b>EXPLOSION PROOF</b>														
15	P15X10033B	P15X30033B-*	4.92/4.92	1725	1/3	-	270	170	-	-	-	-	-	-
	P15X10050A	P15X30050A-*	4.92/4.92	3450	1/2	-	-	-	530	510	430	325	-	-
20	P20X10033B	P20X30033B-*	6.30/6.62	1725	1/3	-	-	800	700	600	100	-	-	-
	P20X10150A	P20X30150A-*	6.30/6.62	3450	1 1/2	-	-	-	-	-	-	-	1150	800
25	P25X10075B	P25X30075B-*	7.82/8.62	1725	3/4	-	-	-	1500	1400	1100	500	-	-
	-	P25X30300A-*	7.82/8.62	3450	3	-	-	-	-	-	-	-	-	2250
30	P30X10075C	P30X30075C-*	9.84/10.75	1140	3/4	-	2000	1800	1600	1400	-	-	-	-
	P30X10200B	P30X30200B-*	9.84/10.75	1725	2	-	-	-	-	-	2700	2350	2050	-



\* For three phase motors, substitute "\*" with "M" for 208-230/460V, or with "P" for 575V (except on P35 models which are only available in 208-230/460V)

## DIMENSIONS \* Shown with optional motor support



DIMENSION	MODEL	RPMs		
		1150	1725	3450
X1	P15	2 13/16"	2 13/16"	2 13/16"
X2		12 1/4"	12 1/4"	12 1/4"
X1	P20	2 13/16"	2 13/16"	3 1/8"
X2		12 1/4"	12 1/4"	12 5/8"
P	P25	18 7/8"	20 1/2"	22 13/16"
X1		3 1/8"	3 9/16"	22 7/16"
X2	P30	17 11/16"	18 1/8"	-
P		22 7/16"	23 5/8"	-
X1	P35	4.41"	4.41"	-
X2		22.83"	22.83"	-
P		28.50"	28.5"	-

MODEL	A	B	C	D	E	G	H	L	M	P	Y	Y1	Z	X
P15	6 1/16"	9 7/8"	8"	4 7/8"	5 11/16"	4 3/4"	1 1/5"	2 3/4"	3 1/8"	14 1/4"	7 1/16"	6 5/16"	13 3/8"	9 7/16"
P20	8 3/16"	12 1/16"	9 7/16"	6 5/8"	6 3/16"	5 1/2"	1 1/3"	3 3/8"	3 11/16"	15 1/3"	7 1/16"	6 5/16"	13 3/8"	9 7/16"
P25	9 3/4"	14 3/4"	12 3/16"	8 5/8"	6 5/8"	6 1/8"	1 1/3"	3 3/4"	4 1/8"	-	7 1/16"	6 5/16"	16 1/2"	-
P30	11 3/16"	18 3/16"	14 11/16"	10 3/4"	7"	7 5/16"	1 1/3"	4 5/16"	4 3/4"	-	9 7/16"	8 11/16"	18 1/8"	-
P35	14.57"	22.44"	17.72"	12.75"	5.12"	10.04"	2.36"	5.91"	6.69"	28.50"	13.78"	12.36"	23.62"	18.43"

## ACCESSORIES

- Weather hood enclosed pedestal for weather protection
- Roof unit kit
- Roof curbs
- Dampers
- Motor supports



Plastec products are special non-standard items and are not-returnable and cannot be cancelled.