

QUESTIONS OR CONCERNS CONTACT CANARM AT:

1-800-265-1833 (English) / 1-800-567-2513 (French)
Monday through Friday 8:00 AM to 5:00 PM E.S.T.

TOOLS AND MATERIALS REQUIRED:



Phillips
Screwdriver



Wire Cutters

Wiring supplies
as required by
electrical code



Pliers



Wrench



"INSTRUCTIONS PERTAINING TO RISK OF FIRE OR INJURY TO PERSONS"
"READ ALL INSTRUCTIONS"

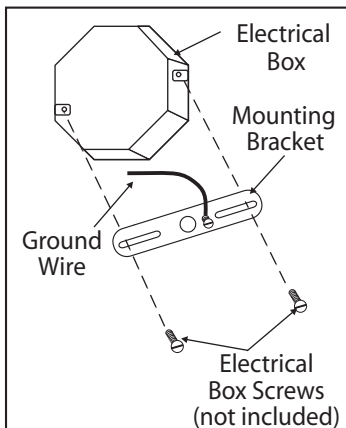
**"IMPORTANT SAFETY
INSTRUCTIONS"**

"SAVE THESE INSTRUCTIONS"

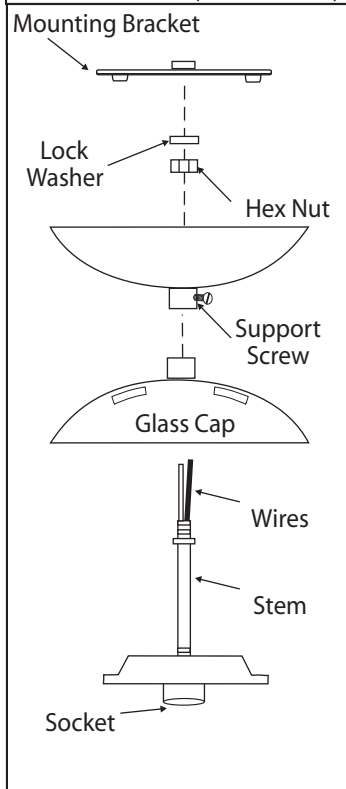
SAFETY PRECAUTIONS:

1. TURN OFF ELECTRICAL POWER BEFORE STARTING INSTALLATION OF LIGHT FIXTURE.
 2. THIS PRODUCT MUST BE INSTALLED IN ACCORDANCE WITH THE APPLICABLE INSTALLATION CODE BY A PERSON FAMILIAR WITH THE CONSTRUCTION AND OPERATION OF THE PRODUCT AND THE HAZARDS INVOLVED.
 3. CAUTION – RISK OF FIRE. CONSULT A QUALIFIED ELECTRICIAN TO ENSURE CORRECT BRANCH CIRCUIT CONDUCTOR.
 4. CONNECT THE GROUND WIRE (BARE COPPER OR GREEN) FROM YOUR FIXTURE TO THE GROUND WIRE (BARE COPPER OR GREEN) OR GROUND SCREW IN THE ELECTRICAL OUTLET BOX.
 5. CLEAN GLASS WITH WATER ONLY.
- NOTE: Product May Not Look Exactly As Shown In Figures.**

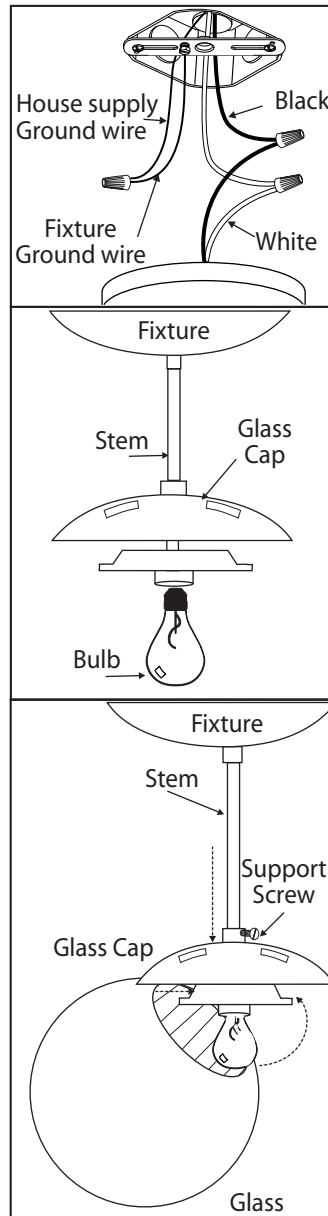
INSTALLATION:



1. Install the mounting bracket to the electrical box using two electrical box screws (not included).



2. Attach the stem to the fixture by threading the wires through the glass cap, fixture and mounting bracket. Secure the stem to the mounting bracket using a lock washer and hex nut. To secure stem, tighten support screw on the fixture only.



3. Connect the ground wire (bare copper or green) from your fixture to the ground wire (bare copper or green) or ground screw in the electrical outlet box. Attach the black wire (or wire marked "SPT-1") from the light fixture to the black wire in the electrical box. Attach the white wire from the light fixture to the white wire in the electrical box. Once connections of wires are completed, carefully tuck wires and wire nuts into the outlet box making sure no bare wire (on the black and white) is visible at the wire nuts.

4. Install the proper bulb type and wattage (not included).

5. Slide glass cap up stem and install glass onto support. Slide glass cap down onto the glass and tighten support screw.