

FLUORESCENT LIGHTING

QUESTIONS OR CONCERNS CONTACT CANARM AT:
1-800-265-1833 (English) / 1-800-567-2513 (French)
Monday through Friday 8:00 AM to 5:00 PM E.S.T.



"INSTRUCTIONS PERTAINING TO RISK OF FIRE OR INJURY TO PERSONS"
"READ ALL INSTRUCTIONS"

"IMPORTANT SAFETY INSTRUCTIONS"

"SAVE THESE INSTRUCTIONS"

TOOLS AND MATERIALS REQUIRED:



Phillips
Screwdriver



Pliers



Hammer

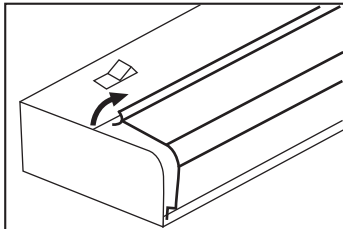


Wiring supplies
as required by
electrical code

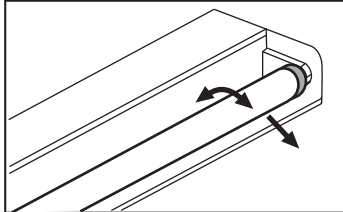
SAFETY PRECAUTIONS:

1. **TURN OFF ELECTRICAL POWER BEFORE STARTING INSTALLATION OF LIGHT FIXTURE.**
2. **THIS PRODUCT MUST BE INSTALLED IN ACCORDANCE WITH THE APPLICABLE INSTALLATION CODE BY A PERSON FAMILIAR WITH THE CONSTRUCTION AND OPERATION OF THE PRODUCT AND THE HAZARDS INVOLVED.**
3. **CAUTION: DO NOT USE THIS FIXTURE WITH A DIMMING CIRCUIT.**
4. **THIS FIXTURE MUST BE GROUNDED PROPERLY. CONNECT THE GROUND WIRE (BARE COPPER OR GREEN) TO THE AC SUPPLY GROUND WIRE (BARE COPPER OR GREEN) OR GROUND SCREW IN THE ELECTRICAL OUTLET BOX. IF GROUND WIRE IS NOT AVAILABLE IN YOUR AC SUPPLY WIRE SYSTEM, PLEASE CONSULT A QUALIFIED ELECTRICIAN BEFORE PROCEEDING THE ELECTRICAL CONNECTION.**

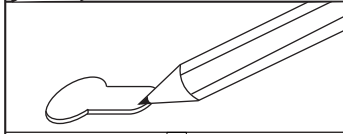
INSTALLATION: NOTE: Product May Not Look Exactly As Shown In Figures.



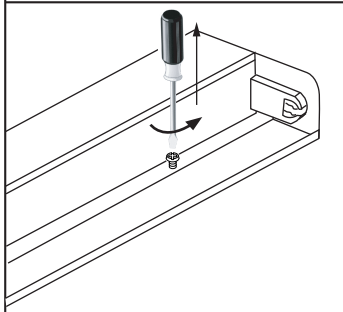
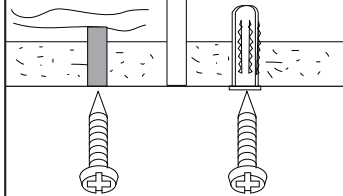
1. Remove the lens by lightly pressing the top edge of the lens. The lens should pop out easily.



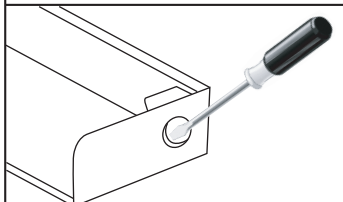
2. Remove the bulb from the fixture by grasping on the metal ends of the bulb. While applying slight pressure on the bulb, rotating the bulb until the contact pins bet loose from the lampholders.



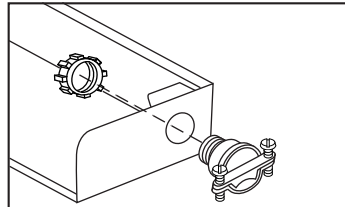
3. Mark position of the keyslot holes on the fixture with a pencil in the mounting surface. Mount fixture by wood screws on wooden studs or plastic wall anchors on drywall.



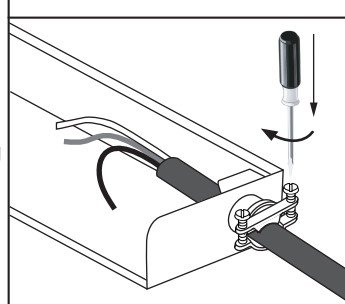
4. Remove the cover by loosening the two screws.



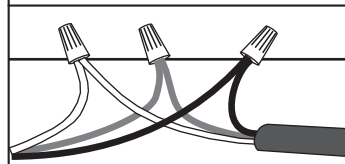
5. Choose the corresponding knock-out and carefully remove it with a screw driver or punch.



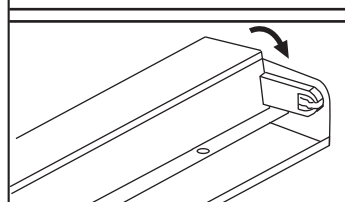
6. Secure cUL recognized or CSA listed wire coupling or strain relief (not included) through the knock-out.



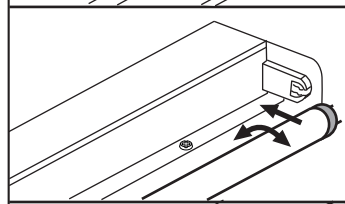
7. Use pliers to tighten the lock nut against the wire coupling and ensure the wire coupling is grounded properly to the fixture.



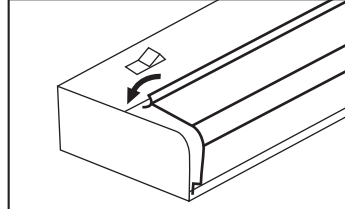
8. Install the conduit or armoured cable through the wire coupling. Secure the cable by tightening the two screws on the wiring coupling.



9. Connect the ground wire (bare copper or green) from your fixture to the ground (bare copper or green) AC supply wire. Connect the black wire from fixture to the black AC supply wire and connect the white wire from fixture to the white AC supply wire. Ensure that no bare wires are exposed outside the electrical connections.



10. Reattach the wire cover.



11. Install bulb by inserting the pins on both ends of the fluorescent tube into the lampholders on both ends. Rotate the tube until a slight of "click".

12. Install the lens to fixture by pushing the top edge down into the bottom edge until it locks.