



SUSPENDED CEILING MOUNT LIGHT

B-5
12/12

QUESTIONS OR CONCERNS CONTACT CANARM AT:

1-800-265-1833 (English)
1-800-567-2513 (French)

Monday through Friday 8:00 AM to 5:00 PM E.S.T.

TOOLS AND MATERIALS REQUIRED:



Pliers



Wire Cutters



Blade
Screwdriver



Phillips
Screwdriver

Wiring supplies
as required by
electrical code

"INSTRUCTIONS PERTAINING TO RISK OF FIRE OR INJURY TO PERSONS"
"READ ALL INSTRUCTIONS"



"IMPORTANT SAFETY INSTRUCTIONS"

"SAVE THESE INSTRUCTIONS"

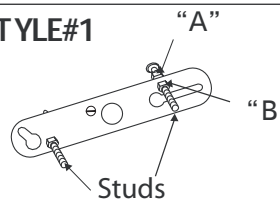
SAFETY PRECAUTIONS:

1. TURN OFF ELECTRICAL POWER BEFORE STARTING INSTALLATION OF LIGHT FIXTURE.
2. THIS PRODUCT MUST BE INSTALLED IN ACCORDANCE WITH THE APPLICABLE INSTALLATION CODE BY A PERSON FAMILIAR WITH THE CONSTRUCTION AND OPERATION OF THE PRODUCT AND THE HAZARDS INVOLVED.
3. FIRMLY ATTACH THE FIXTURE GROUND WIRE (BARE COPPER) TO THE MOUNTING BRACKET WITH THE GROUND SCREW (BY WRAPPING AROUND THE GROUND SCREW) AND THEN CONNECT IT TO THE HOUSE SUPPLY GROUND WIRE WITH A WIRE NUT.
4. WARNING: DO NOT REMOVE KNOT IN CORD (STRAIN RELIEF PROTECTION). IF CORD REQUIRES SHORTENING THEN RE-INSTALL KNOT.
5. DO NOT ADJUST CORD LESS THAN 6" BETWEEN CEILING AND THE TOP OF THE SHADE OF THE FIXTURE.

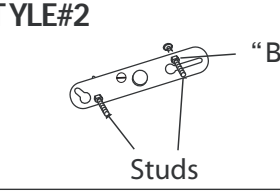
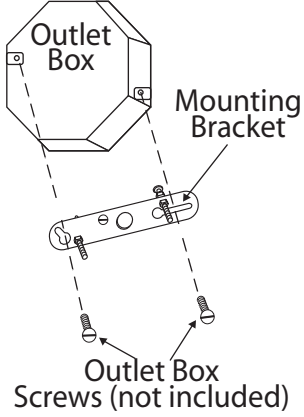
NOTE: Product May Not Look Exactly As Shown In Diagrams. Bulbs Are Not Included.

INSTALLATION:

STYLE#1



STYLE#2

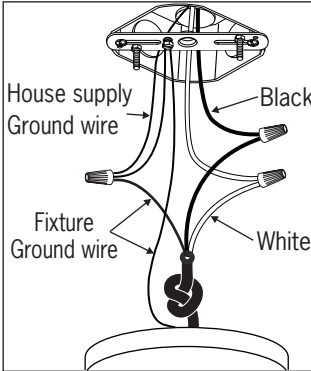
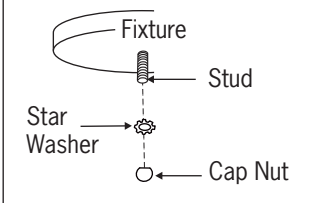
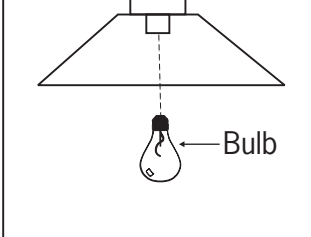



1. Refer to the mounting bracket style that matches the bracket that is included with your fixture.

Style#1 - Loosen hex nut "A" and "B". Adjust stud so it clears the fixture once assembled. Hold in place with "A" and lock in place with "B".

Style#2 (Threaded holes)
Loosen "B". Adjust stud to desired length and lock in place with "B".

2. Attach the mounting bracket to the outlet box using electrical box screws (not included).

3. Firmly attach the fixture ground wire (bare copper) to the mounting bracket with the ground screw (by wrapping around the ground screw) and then connect it to the house supply ground wire with a wire nut. Connect the black wire (or wire marked "SPT-1") from the fixture to the black wire in the electrical box and connect the white wire from the fixture to the white wire in the electrical box.

4. Once connections of wires are completed, carefully tuck wires and wire nuts into the outlet box making sure no bare wire (on the black and white) is visible at the wire nuts. Install the light fixture to the wall by aligning the hole(s) in the fixture with the studs or nipple on the mounting bracket. Secure in place with cap nut(s) and star washer (s).

5. Install specified bulb (not included).