

HRV MICRA 60

Single Room Heat Recovery Ventilator



Micra 60 is a single room heat recovery ventilator suitable for large rooms, such as apartments or small commercial places. No need to connect to air ducts. It provides a great solution for simple and efficient single room heat recovery applications.

FEATURES

- Efficient heat recovery ventilation for separate rooms
- Energy recovery efficiency is 79%
- EC-motor
- Three operating modes
- Silent operation (0.38 – 1.0 Sones)
- For rooms up to 650 sq ft
- Air cleaning with two G4 built-in filters
- Easy mounting
- Suitable for continuous operation
- 5 Year Warranty



MICRA 60 DESIGN



1 Casing

Polymer coated metal casing is decorated with mirror like stainless steel that contains 9/16" thermal and sound insulating layer. The modern unit design matches any interior. Easy access to service the unit, to change or replace filter. Air is supplied to the room and exhausted outside through two 5" air ducts.

2 Air Filtration

Two built in G4 filters ensure the filtration of supply and extract air. The filters purify the air by removing contaminants, particles and prevent dust from entering the house.

3 Motor

Axial fans are powered by energy-efficient EC-motors. The motors are equipped with built-in thermal overheating protection and ball bearings for longer service life.

4 Heat Recovery Core

The ventilator is equipped with a high-tech plate counter-flow aluminum heat recovery core. Energy recovery efficiency is 79%. Using the MICRA in both cooling and heating seasons results in considerable energy savings.

Freeze Protection

Micra 60 includes a special thermostat, which prevents condensation from freezing.

5 Control Unit

The unit has integrated protection to safeguard the motor and circuit board against voltage jumps, short circuit or electrical overloads.

CONTROL AND OPERATION MODES

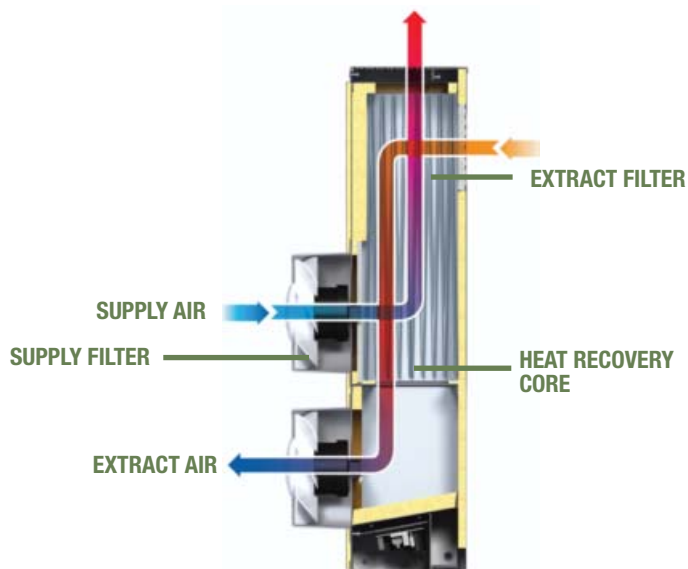


Automatic system enables three operation modes:

1. Supply and exhaust ventilation at minimum air capacity: 17.7 CFM and minimum noise level 0.38 Sones.
2. Supply and exhaust ventilation at medium air capacity: 26.5 CFM and minimum noise level 0.42 Sones.
3. Supply and exhaust ventilation at medium air capacity: 35.3 CFM and minimum noise level 1.0 Sones

HRV MICRA 60

Single Room Heat Recovery Ventilator



HOW MICRA 60 WORKS

Micra 60 exhausts stale air outdoors and draws in fresh air to replace it while the heat transfers from the outgoing air to warm up the incoming air. Warm stale air from the room moves through the filter and core and then is exhausted outside. The intake and extract airflows are fully separated.

INSTALLATION SAMPLE



Mark the holes for the air ducts with a cardboard master plate.



Drill the holes.



Mount air ducts and metal hood.

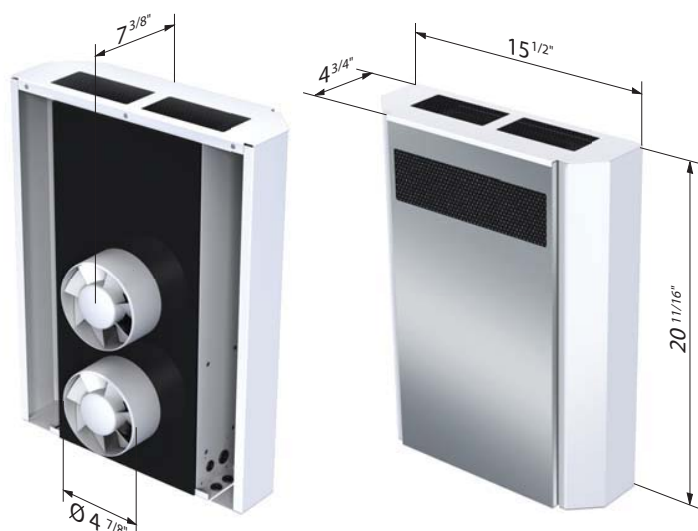


Completing the casing mounting.

PERFORMANCE SPECIFICATIONS

MODEL	SPEED	VOLTAGE (V)	POWER (W)	CURRENT (A)	AIR CAPACITY (CFM)	ROTATION SPEED (MIN-1)	SENSIBLE RECOVERY EFFICIENCY	SONES	INGRESS PROTECTION RATING
MICRA 60	1	100 - 240 V 50 - 60 Hz	4.2	0.02	17.7	1165	79	0.38	IP 22
	2		9.6	0.04	26.5	1720	74	0.42	
	3		15.4	0.07	35.3	2685	70	1.0	

DIMENSIONS



INSTALLATION KIT MK2 MICRA 60

MK2 Micra 60 mounting kit:

- Two plastic air duct 5" -19 11/16" long
- Cardboard master plate
- Outer ventilation kit NB Micra 60

