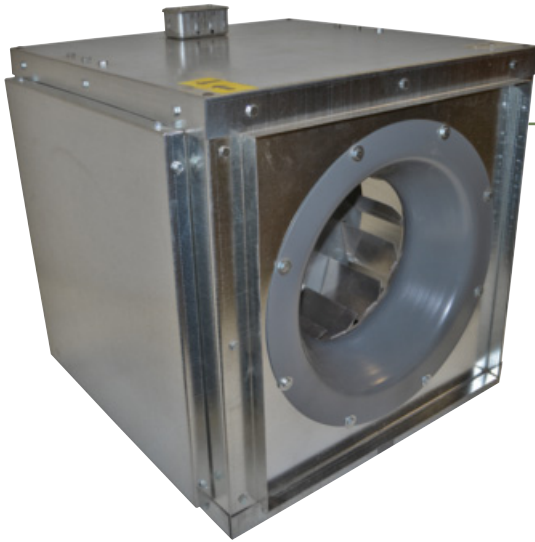
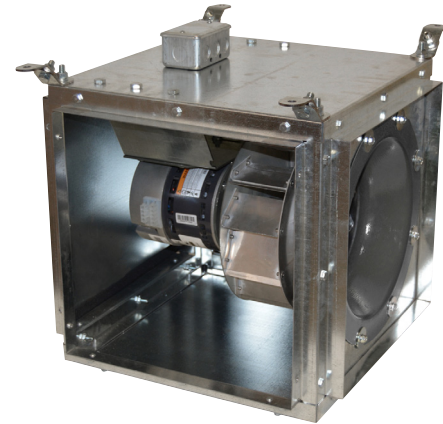


# GSQ-D-EC SERIES

Backward Inclined Direct Drive Square Inline Blowers



INSULATED CABINET AVAILABLE



## FEATURES

- Available in 10" to 18".
- High efficiency aluminum wheel.
- Leak proof access panels with gasket.
- Side discharge option as standard - simply re-locate the side panel to the discharge.
- Bottom discharge available with flange kit.
- Junction box.
- High Efficiency EC variable speed motor.
- Multiple mounting options.

## PERFORMANCE SPECIFICATIONS

| MODEL       | TYPICAL MAXIMUM CFM @ SP |         |         |       |           |           | HP  |
|-------------|--------------------------|---------|---------|-------|-----------|-----------|-----|
|             | 1/4" SP                  | 1/2" SP | 3/4" SP | 1" SP | 1 1/4" SP | 1 1/2" SP |     |
| GSQ105-D-EC | 1150                     | 1000    | 825     | 550   | --        | --        | 1/3 |
| GSQ120-D-EC | 1725                     | 1575    | 1425    | 1200  | 1025      | 500       | 1/2 |
| GSQ135-D-EC | 2575                     | 2400    | 2250    | 2000  | 1850      | 1400      | 3/4 |
| GSQ150-D-EC | 3300                     | 3100    | 2825    | 2450  | 2200      | 1900      | 1   |
| GSQ165-D-EC | 3750                     | 3350    | 2950    | 2550  | 2250      | 1900      | 1   |
| GSQ180-D-EC | 4200                     | 3650    | 3250    | 2550  | --        | --        | 1   |

Power rating (BHP) does not include transmission losses. Performance certified is for installation type B - Free inlet, Ducted Outlet. Performance ratings do not include the effects of appurtenances (accessories). CFM values listed above are summarized for convenience.

FOR FAN CURVES & FULL PERFORMANCE DATA, CONSULT OUR DELAIR SOFTWARE. DOWNLOAD DELAIR @ [WWW.CANARM.COM/DELAIR](http://WWW.CANARM.COM/DELAIR)

## DIMENSIONS

### GSQ-D-EC DIRECT DRIVE BACKWARD INCLINED SQUARE INLINE BLOWER

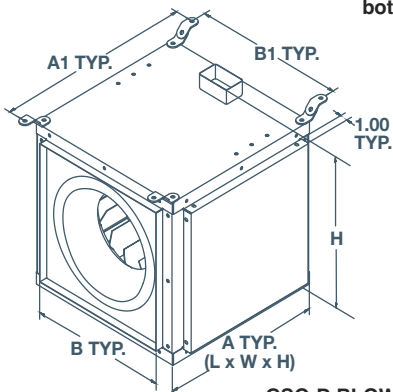
| MODEL       | A       | B       | A1      | B1      | H         |
|-------------|---------|---------|---------|---------|-----------|
| GSQ105-D-EC | 17 1/8" | 14 5/8" | 21 1/2" | 15 3/8" | 18 15/16" |
| GSQ120-D-EC | 20"     | 17"     | 24 3/8" | 17 3/4" | 21 13/16" |
| GSQ135-D-EC | 22"     | 18 3/4" | 26 3/8" | 19 1/2" | 23 13/16" |
| GSQ150-D-EC | 24 1/2" | 20 7/8" | 38 3/8" | 21 5/8" | 26 5/16"  |
| GSQ165-D-EC | 26 3/4" | 23"     | 31 1/8" | 23 3/4" | 28 9/16"  |
| GSQ180-D-EC | 29 5/8" | 25 3/8" | 34"     | 26 1/8" | 31 7/16"  |

### F-DSQ FILTER SECTION

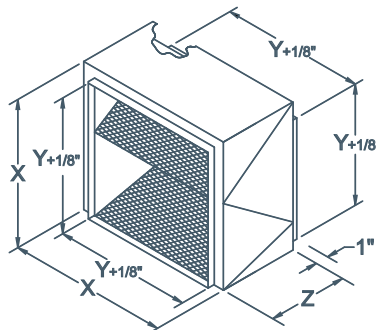
| MODEL    | X       | Y       | Z   | FILTER FACTOR | UNIT WEIGHT (LBS) |
|----------|---------|---------|-----|---------------|-------------------|
| F-DSQ105 | 20"     | 14"     | 6"  | 7.085         | 10                |
| F-DSQ120 | 20"     | 17"     | 6"  | 3.069         | 13                |
| F-DSQ135 | 22"     | 18 3/4" | 6"  | 2.184         | 15                |
| F-DSQ150 | 24 1/2" | 20 7/8" | 14" | 0.762         | 26                |
| F-DSQ165 | 26"     | 23"     | 14" | 0.63          | 27                |
| F-DSQ180 | 28 5/8" | 25 3/8" | 14" | 0.463         | 30                |

Filter Resistance = Filter Factor x CFM<sup>2</sup> x 10<sup>-8</sup> in. wg

Mounting brackets shown in both positions. Can be top or bottom mounted.



GSQ-D BLOWER



FILTER SECTION

## ACCESSORIES

- F-DSQ Filter section with 'V' bank 1" aluminum filters. (Filter rack will accept customer supplied 2" filters).
- Suspension or base mount vibration isolators.
- Insulated cabinet available (see price list).