



ERV 120S MODELS ONLY

# FRIGATE HRV 60S/120S & ERV 60S/120S

## Heat Recovery Ventilator, Energy Recovery Ventilator

Both Heat and Energy Recovery Ventilators are the complete whole house ventilation system designed to bring a continuous supply of fresh air into the house while exhausting an equal amount of stale air.

### FEATURES

- Effective energy-saving solution
- Multizonal efficient recovery ventilation
- Cross flow core with SRE greater than 62%
- Heat recovery (HRV) or Energy Recovery (ERV)
- Low profile
- Silent operation
- Replaceable filters
- Ceiling installation
- Simple installation and maintenance
- 5 Year Warranty

### CASING

Steel casing is covered with high-quality multilayer aluminum and zinc alloy to prevent corrosion. The casing is equipped with a switch to turn the ventilator off when the service panel is opened.

### FILTER

- Washable MERV 6 air filters in exhaust and supply air streams.
- Optional supply: anti grease aluminum filter.

### HEAT RECOVERY CORE

The aluminum cross-flow core (HRV 60s/120s) ensures efficient heat recovery and the enthalpic core (ERV 60s/120s) provides both heat & energy recovery.

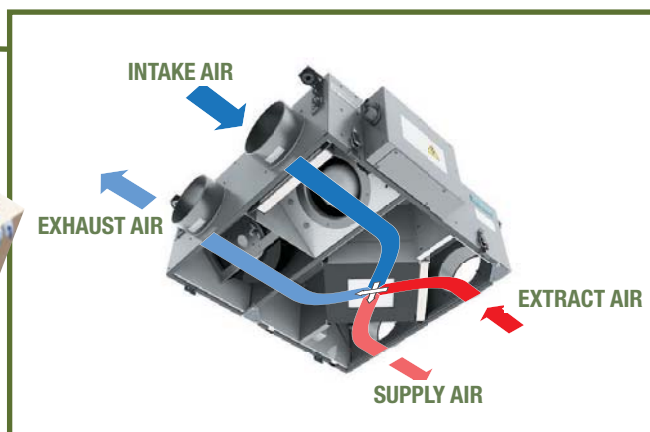
### DEFROST SYSTEM

To protect the heat recovery core, the freezing electronic protection system is applied. It switches the supply fan off as the temperature sensor requires. Warm extract air defrosts the heat recovery core, then the supply fan switches on and the ventilator continues operating under rated conditions

### MOUNTING

- The unit is mounted suspended to the ceiling with special belts.
- Please refer to installation manual for instructions and details.

### AIRFLOW DIAGRAM



### MOTORS

German made high-efficient motor combined with backward inclined impeller delivers exceptionally powerful airflow and high static pressure. Built-in thermal overheating protection with automatic restart makes the motor operation secure and reliable. Permanently lubricated ball bearings inside the motor provide long (40000 hours) trouble- and maintenance-free operation.

### FANS

- The unit is equipped with supply and exhaust centrifugal fans with backward curved blades and build-in thermal overheating protection with automatic restart.
- The electric motors and the impellers are dynamically balanced in two planes

### CONTROL

Each unit is equipped with three-key speed switch to select LOW speed, MED speed or STANDBY mode for 24 hours operation. HIGH speed can be turned on/off with one of the optional remote controls

### ACCESSORIES

- Air Disk Valve
- Backdraft Damper
- Clamps

For more information on available accessories, see pages J8-J11 in Accessories & Motors section.

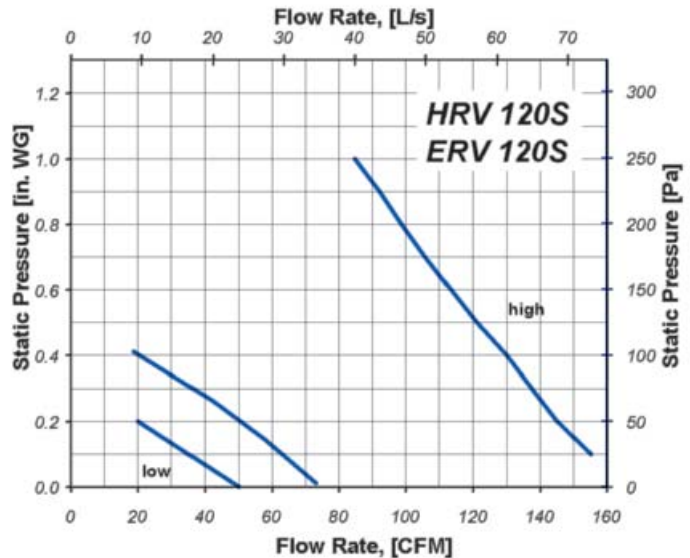
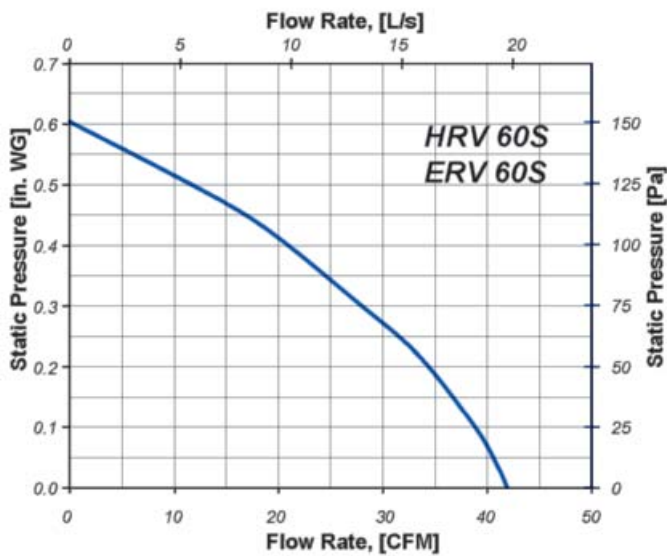
# FRIGATE HRV 60S/120S, ERV 60S/120S

## PERFORMANCE SPECIFICATIONS

MODEL	VOLTS	MAX WATTS	MAX AMPS	EAT @ 100 Pa (%)	EAT @ 50 Pa (%)	DUCT DIA.	AIRFLOW CFM (L /s)									
							0.1" (25 Pa)	0.2" (50 Pa)	0.3" (75 Pa)	0.4" (100 Pa)	0.5" (125 Pa)	0.6" (150 Pa)	0.7" (175 Pa)	0.8" (200 Pa)	0.9" (225 Pa)	1.0" (250 Pa)
HRV 60S	120V, 60Hz	41	0.58	-	-	5"	39	35	29	21	12	-	-	-	-	-
ERV 60S							(18)	(17)	(14)	(10)	(10)	-	-	-	-	-
HRV 120S	120V, 60Hz	-	1.5	6.6	5.7	5"	155	146	138	130	122	114	106	98	90	82
ERV 120S							(73)	(69)	(65)	(61)	(58)	(54)	(50)	(46)	(42)	(39)

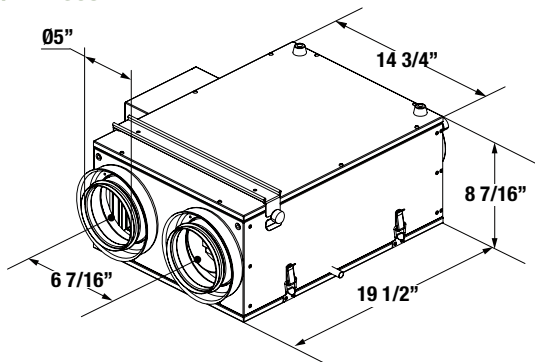
MODEL	MODE	TEMPERATURE		NET AIR FLOW		POWER CONSUMED (WATTS)	SENSIBLE RECOVERY EFFICIENCY		APPARENT RECOVERY EFFICIENCY		LATENT RECOVERY/MOISTURE TRANSFER
		°C	°F	(L/s)	(CFM)		SRE (%)	ASRE (%)			
HRV 60S	HEATING	0	32	13	28	39	74	-	-	-	
		0	32	18	39	41	71	-	-	-	
		0	32	26	56	42	68	-	-	-	
ERV 60S	HEATING	0	32	13	28	39	67	-	-	-	
		0	32	18	39	41	72	-	-	-	
		0	32	26	56	42	56	-	-	-	
HRV 120S	HEATING	0	32	30	64	40	62	71	-0.03	-0.03	
		0	32	45	95	62	59	54	-0.03	-0.03	
		0	32	56	118	94	46	55	0.17	0.12	
ERV 120S	HEATING	0	32	30	64	40	54	65	0.10	0.10	
		0	32	45	95	62	59	55	0.12	0.10	
		0	32	56	118	94	46	55	0.10	0.10	

## FLOW RATE CURVES



## DIMENSIONS

### HRV/ERV 60s



### HRV/ERV 120s

