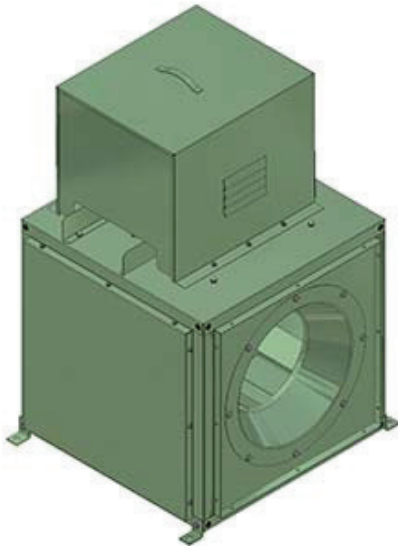


**MODELS: DSQ-B-10, DSQ-B-12, DSQ-B-13, DSQ-B-15,
 DSQB-16, DSQ-B-18, DSQ-B-20, DSQ-B-22, DSQ-B-24 AND DSQ-B-27**

General Safety

Rotating parts, (pulleys, shafts and belts) on fans should not be exposed. Where these components are not protected by ductwork, cabinets or covers, appropriate guards should be employed to restrict exposure to rotating parts. Access doors should not be opened with the fan operating to avoid foreign objects being drawn into the system. On initial start-up a careful inspection should be carried out to ensure no foreign material is present which could become airborne in the system.

Read installation and operation instructions carefully before attempting to install, operate or service Delhi DSQ-B Series Blowers. Failure to comply with instructions could result in personal injury and/or property damage. Retain instructions for future reference.



Model	Max. H.P.	Shaft Dia.	Unit Weight
DSQ-B-10	1	3/4"	62
DSQ-B-12	1-1/2	3/4"	73
DSQ-B-13	1-1/2	3/4"	85
DSQ-B-15	2	3/4"	95
DSQ-B-16	3	3/4"	123
DSQ-B-18	3	1"	140
DSQ-B-20	3	1"	165
DSQ-B-22	5	1"	211
DSQ-B-24	7-1/2	1-3/16"	241
DSQ-B-27	7-1/2	1-3/16"	280

General

Inspect unit for damage, report any shipping damage to carrier. Check all fasteners, re-tighten as required. Rotate the blower wheel by hand to ensure free rotation. If rubbing occurs, loosen the inlet venturi bolts, re-position the venturi to establish clearance, re-tighten bolts.

Installation (Fig. 1)

The 4 angle brackets provided allow for base or suspension mounting

Suspension Mounting

For suspension mounting, move the 4 angle iron mounting brackets to the four upper corners (front and rear or both sides) using the hardware provided, secure the unit to 4 customer provided suspension rods.

Base Mounting

For base mounting, 4 angle iron mounting brackets are supplied in the 4 lower corners (front and rear or both sides) secure these to the customer supplied base.

Vibration Isolation (not included).

Recommended (spring or rubber) for both suspension or base mount.

Suspension Mount

Install 4 supplied angle iron mounting brackets on upper cabinet front & rear or sides (illustrated)



Fig. 1

Base Mount

4 angle iron mounting brackets are supplied on the cabinet bottom front & rear (illustrated),

Motor, Pulleys & Belts

1. Select the appropriate drive set (motor, pulleys, and belts) from the drive table (page 3) or Delhi's 'Delair' blower selection program to obtain the blower RPM that will deliver the design performance (CFM & SP).
2. Remove the access panel from the drive compartment to expose the blower shaft. Mount the blower pulley on the shaft end and tighten the setscrew securely.
3. Remove the motor compartment cover to expose the motor mounting platform. Secure the motor to the platform, mount the adjustable motor pulley to the shaft end, align with the blower pulley using a straight edge (see Fig. 2) and tighten the setscrew to secure the pulley to the motor shaft.
4. Install the belt(s) and raise the end of the pivoting motor platform to tension the belt and secure the platform in place with the positioning screws located on both sides of the platform.

DO NOT OVER TENSION

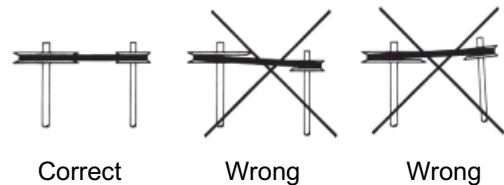
Belt Tension & Alignment - Fig. 2

Warning

EXCESSIVE BELT TENSION IS THE MOST FREQUENT CAUSE OF BEARING WEAR AND RESULTING NOISE PROPER BELT TENSION IS CRITICAL FOR QUIET EFFICIENT OPERATION

Ideal belt tension is the lowest value under which belt slip will not occur at peak load conditions

Belt Alignment



Warning: Ensure power supply is disconnected & locked out prior to making electrical connections.

Before connecting the motor to the electrical supply, check the electrical characteristics and wiring instructions as indicated on the motor nameplate or inside the conduit box cover to ensure proper voltage and phase. Complete electrical connections as indicated.

Warning: A ground wire must be connected from the motor housing to a suitable electrical ground.

Operation

1. Complete the electrical connections, energize the unit momentarily and ensure proper wheel rotation.
2. Apply full power.
3. With all ducts attached, the access doors in place and the air system in full operation, measure the motor current and ensure that it is less than the rated full load motor amperage as indicated on the motor nameplate.

DSQ-B DRIVES		DSQ-B-10	DSQ-B-12	DSQ-B-13	DSQ-B-15	DSQ-B-16	DSQ-B-18	DSQ-B-20	DSQ-B-22	DSQ-B-24	DSQ-B-27									
Max. HP		1	1-1/2	1-1/2	2	3	3	3	5	7-1/2	7-1/2									
Based on 1725 RPM Motor																				
Motor	Blower Pulley	RPM Range	56/143T /145T	48	56/143T /145T	48	56/143T /145T	48	56/143T /145T	48	56/143T /145T	48	56/143T /145T	182T /184T	182T /184T	213T /215T	182T /184T	213T /215T		
1VL34 3/4 HP MAX.	AL104	335-512	-	-	-	-	-	-	-	-	-	-	-	-	-	-	-	-	-	
	AL94	373-570	-	-	-	4L58	-	-	-	-	-	-	-	-	-	-	-	-	-	
	AL84	421-643	-	-	-	4L57	-	-	-	-	-	-	-	-	-	-	-	-	-	
	AL74	483-738	-	-	-	4L55	-	-	-	-	-	-	-	-	-	-	-	-	-	
	AL64	567-865	-	-	-	4L53	-	-	-	-	-	-	-	-	-	-	-	-	-	
	AL51	686-1047	4L41	4L45	4L48	4L51	4L52	4L50	4L50	4L50	4L51	4L52	4L50	4L50	4L51	4L52	4L50	4L51	4L52	
AK41	886-1352	4L40	4L44	4L47	4L44	4L47	4L45	4L44	4L44	4L44	4L44	4L44	4L44	4L44	4L44	4L44	4L44	4L44	4L44	
AK30	1171-1787	4L38	4L42	4L45	4L43	4L46	4L45	4L43	4L43	4L43	4L43	4L43	4L43	4L43	4L43	4L43	4L43	4L43	4L43	
1VL34	BK110H	328-500	-	-	-	-	-	-	-	-	-	-	-	-	-	-	-	-	-	
	BK100H	364-556	-	-	-	4L59	-	-	-	-	-	-	-	-	-	-	-	-	-	
	BK90H	410-625	-	-	-	4L57	-	-	-	-	-	-	-	-	-	-	-	-	-	
	BK80H	468-715	-	-	-	4L55	-	-	-	-	-	-	-	-	-	-	-	-	-	
	BK70H	546-834	-	-	-	4L53	-	-	-	-	-	-	-	-	-	-	-	-	-	
	BK60H	656-1001	4L42	4L46	4L49	4L52	4L50	4L50	4L50	4L50	4L50	4L50	4L50	4L50	4L50	4L50	4L50	4L50	4L50	
BK50H	819-1251	4L40	4L44	4L47	4L44	4L47	4L45	4L44	4L44	4L44	4L44	4L44	4L44	4L44	4L44	4L44	4L44	4L44	4L44	
BK40H	1024-1563	4L39	4L43	4L46	4L43	4L46	4L43	4L43	4L43	4L43	4L43	4L43	4L43	4L43	4L43	4L43	4L43	4L43	4L43	
1VL44	AL104	483-656	-	-	-	-	-	-	-	-	-	-	-	-	-	-	-	-	-	
	AL94	550-747	-	-	-	4L60	-	-	-	-	-	-	-	-	-	-	-	-	-	
	AL84	621-843	-	-	-	4L58	-	-	-	-	-	-	-	-	-	-	-	-	-	
	AL74	712-967	-	-	-	4L56	-	-	-	-	-	-	-	-	-	-	-	-	-	
	AL64	836-1134	4L44	4L48	4L51	4L54	4L53	4L53	4L53	4L54	4L55	4L53	4L53	4L54	4L55	4L53	4L54	4L55	4L53	
	AL51	1010-1371	4L43	4L47	4L50	4L53	4L50	4L50	4L50	4L53	4L55	4L53	4L53	4L55	4L55	4L53	4L55	4L53	4L55	
AK41	1305-1772	4L41	4L45	4L48	4L45	4L48	4L45	4L45	4L45	4L45	4L45	4L45	4L45	4L45	4L45	4L45	4L45	4L45	4L45	
AK30	1725-2341	4L40	4L44	4L44	4L44	4L44	4L44	4L44	4L44	4L44	4L44	4L44	4L44	4L44	4L44	4L44	4L44	4L44	4L44	
1VL44	BK110H	483-656	-	-	-	-	-	-	-	-	-	-	-	-	-	-	-	-	-	
	BK100H	537-728	-	-	-	4L60	-	-	-	-	-	-	-	-	-	-	-	-	-	
	BK90H	604-819	-	-	-	4L58	-	-	-	-	-	-	-	-	-	-	-	-	-	
	BK80H	690-936	4L47	4L51	4L53	4L56	4L53	4L53	4L53	4L57	4L55	4L53	4L53	4L57	4L55	4L53	4L57	4L55	4L53	
	BK70H	805-1093	4L45	4L49	4L52	4L55	4L50	4L50	4L50	4L55	4L55	4L55	4L55	4L55	4L55	4L55	4L55	4L55	4L55	4L55
	BK60H	966-1311	4L43	4L47	4L50	4L47	4L50	4L50	4L50	4L55	4L55	4L55	4L55	4L55	4L55	4L55	4L55	4L55	4L55	4L55
BK50H	1208-1639	4L41	4L45	4L48	4L45	4L48	4L45	4L45	4L45	4L45	4L45	4L45	4L45	4L45	4L45	4L45	4L45	4L45	4L45	
BK40H	1509-2048	4L40	4L44	4L44	4L44	4L44	4L44	4L44	4L44	4L44	4L44	4L44	4L44	4L44	4L44	4L44	4L44	4L44	4L44	
1VP44	BK100H	569-752	-	-	-	-	-	-	-	-	-	-	-	-	-	-	-	-	-	
	BK90H	637-842	-	-	-	4L60	-	-	-	-	-	-	-	-	-	-	-	-	-	
	BK80H	723-956	-	-	-	4L58	-	-	-	-	-	-	-	-	-	-	-	-	-	
	BK70H	836-1105	4L47	4L51	4L53	4L56	4L53	4L53	4L53	4L57	4L55	4L53	4L53	4L57	4L55	4L53	4L57	4L55	4L53	
	BK60H	990-1310	4L45	4L49	4L52	4L55	4L50	4L50	4L50	4L55	4L55	4L55	4L55	4L55	4L55	4L55	4L55	4L55	4L55	4L55
	BK50H	1215-1607	4L43	4L47	4L50	4L47	4L50	4L50	4L50	4L55	4L55	4L55	4L55	4L55	4L55	4L55	4L55	4L55	4L55	4L55
BK40H	1485-1965	4L41	4L45	4L48	4L45	4L48	4L45	4L45	4L45	4L45	4L45	4L45	4L45	4L45	4L45	4L45	4L45	4L45	4L45	
1VP71	BK80H	1306-1553	-	-	-	-	-	-	-	-	-	-	-	-	-	-	-	-	-	
	BK70H	1524-1811	4L51	4L49	-	-	-	-	-	-	-	-	-	-	-	-	-	-	-	
	BK60H	1829-2174	-	-	-	-	-	-	-	-	-	-	-	-	-	-	-	-	-	
	BK50H	2286-2717	4L45	4L49	B50	B49	B53	B50	B49	B50	B49	B50	B49	B50	B49	B50	B49	B50	B49	
	BK40H	2588-3163	4L44	4L48	B45	B44	B49	B45	B44	B45	B44	B45	B44	B45	B44	B45	B44	B45	B44	
	BK40H	2588-3163	4L44	4L48	B45	B44	B49	B45	B44	B45	B44	B45	B44	B45	B44	B45	B44	B45	B44	
2VP62	2B86	983-1183	-	-	-	-	-	-	-	-	-	-	-	-	-	-	-	-	-	
	2B74	1142-1375	-	-	-	-	-	-	-	-	-	-	-	-	-	-	-	-	-	

Note: 4L Belts, AL and AK pulleys are rated to 3/4 HP maximum.

Maintenance

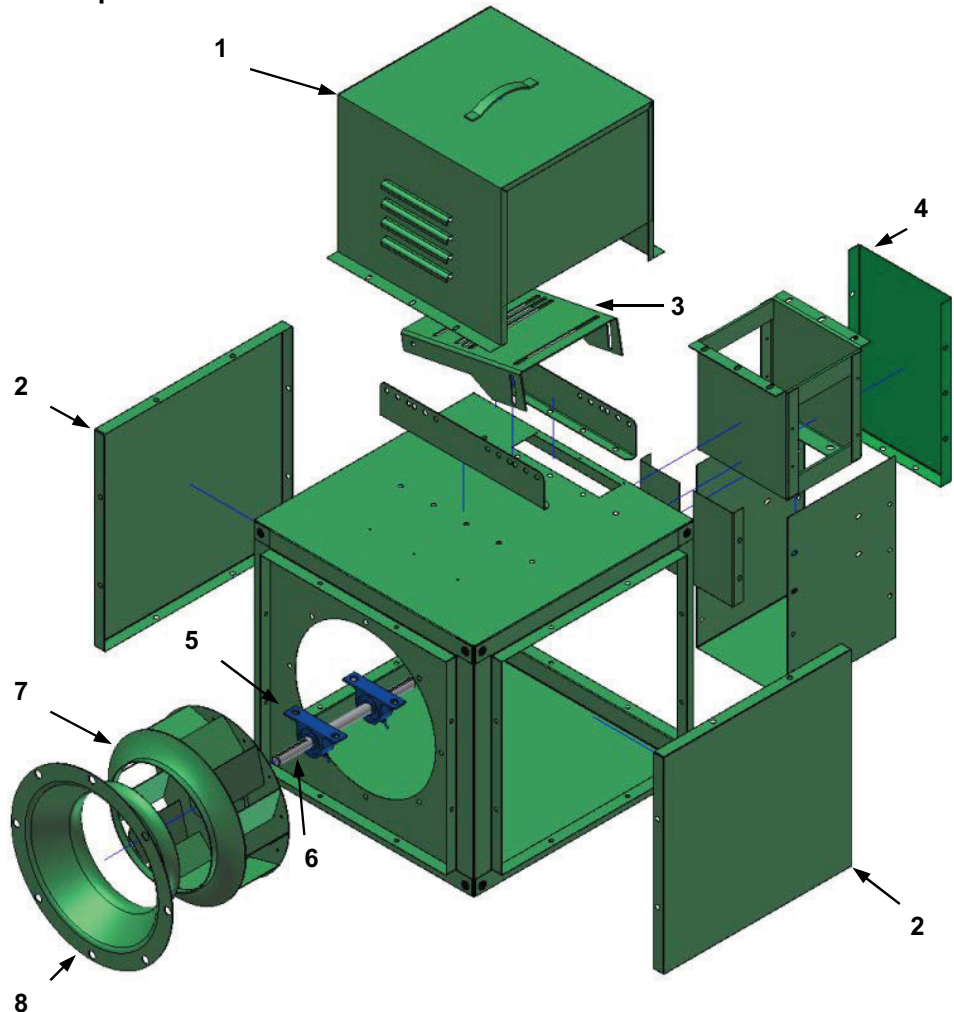
Ensure power supply is disconnected & locked out prior to performing maintenance.

1. Inspect and tighten all bearing and wheel set screws after the first 50 to 100 hours of operation and periodically thereafter.
2. Follow motor manufacturer's instructions for motor lubrication. Remove any excess lubrication.
3. Drives: A - Check belt tension and alignment, replace cracked or worn belts. If it is necessary to replace one belt on a multiple belt drive, replace all the belts with a matched set.
B - Under normal conditions, no re-lubrication is the rule. The bearing lubricant cavity is 1/3-1/2 filled as shipped from the factory. Never lubricate new bearings.
4. Clean the blower wheel periodically. Material build up on the blades can cause wheel imbalance which may result in wheel or bearing failure.

DSQ-B Series Replacement Parts / Exploded View

Parts List

- 1 Motor Cover
- 2 Side Access Panel
- 3 Motor Mounting Platform
- 4 Drive Compartment Access Cover
- 5 Bearings
- 6 Shaft
- 7 Wheel
- 8 Inlet Venturi



Warranty

Delhi Industries Inc, Air Moving Products are guaranteed for a period of one year against manufacturing defects in material and workmanship when operating under normal conditions. Liability is limited to the replacement of defective parts. Labour and transportation costs are not included.