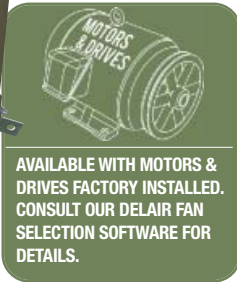


# DSQ-B SERIES

Backward Inclined Belt Drive Square Inline Blowers



AVAILABLE WITH MOTORS & DRIVES FACTORY INSTALLED. CONSULT OUR DELAIR FAN SELECTION SOFTWARE FOR DETAILS.

UNIT WITH MOTOR COVER REMOVED.



## FEATURES

- Available in 10" to 27" sizes.
- Heavy duty, non-overloading backward inclined wheel.
- Pivoted motor mounting base for convenient belt tension adjustment.
- Air handler pillow block bearings mounted on rigid angle iron frame.
- Leak proof access panels with gasket.
- Angle iron mounting lugs can be relocated for base or suspension mounting or positioning motor on the top, side or bottom of blower.
- For side discharge simply re-locate the side panel to the normal discharge opening.
- Motor cover supplied.
- Junction box.

## PERFORMANCE SPECIFICATIONS

MODEL	TYPICAL MAXIMUM CFM @ SP					Min HP	Max HP
	1/2" SP	1" SP	1 1/2" SP	2" SP			
DSQ-B-10	1700	1500	1300	1100	1/4	1	
DSQ-B-12	2700	2400	2100	1900	1/4	1 1/2	
DSQ-B-13	3100	2800	2400	2000	1/3	1 1/2	
DSQ-B-15	4000	3600	3200	2600	1/3	2	
DSQ-B-16	5400	5000	4600	4000	1/3	3	
DSQ-B-18	6000	5600	5000	4400	1/2	3	
DSQ-B-20	7200	6400	5600	4600	1/2	3	
DSQ-B-22	9500	9000	8300	7500	3/4	5	
DSQ-B-24	12500	12000	11200	10500	1	7 1/2	
DSQ-B-27	14500	13500	12500	11000	1	7 1/2	

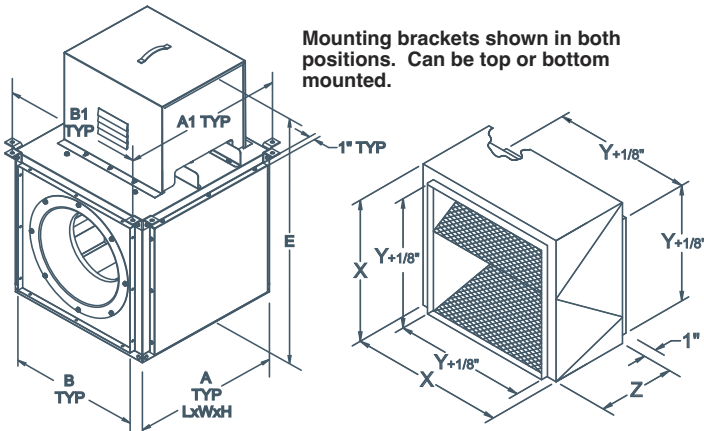
Power rating (BHP) does not include transmission losses. Performance certified is for installation type B - Free inlet, Ducted Outlet. Performance ratings do not include the effects of appurtenances (accessories).

CFM values listed above are summarized for convenience.

FOR FAN CURVES & FULL PERFORMANCE DATA, CONSULT OUR DELAIR SOFTWARE. DOWNLOAD DELAIR @ [WWW.CANARM.COM/DELAIR](http://WWW.CANARM.COM/DELAIR)

## DIMENSIONS

DSQ-B BELT DRIVE BACKWARD INCLINED SQUARE INLINE BLOWER							F-DSQ FILTER SECTION								
MODEL	L* X W X H		INLET/OUTLET		MOUNTING BRACKET HOLES		MOTOR ENCLOSURE		UNIT WEIGHT (LBS)(without motor)	MODEL	A	B	Z	FILTER FACTOR	UNIT WEIGHT(LBS)
	A	B	A1	B1	D	E									
DSQ-B-10	20 1/16" L X 16 1/16" W X 16 1/16" H	14"	20 9/13" L X 18 9/16" W X 18 9/16" H	19" L X 15" W X 15" H	15 1/4"	14 1/4"	62	F-DSQ-10	20 1/16" L X 16 1/16" W X 16 1/16" H	14"	6"	6"	7.085	10	
*NOTE: With the exception of DSQ-B-10, all models are cubes (DSQ-B-10 has extended length)															
DSQ-B-12	20 1/16"	17"	22 9/16"	18 3/4"	15 1/4"	34 5/16"	73	F-DSQ-12	20 1/16"	17"	6"	6"	3.069	13	
DSQ-B-13	22 1/16"	18 3/4"	24 9/16"	20 3/4"	15 1/4"	36 5/16"	85	F-DSQ-13	22 1/16"	18 3/4"	6"	6"	2.184	15	
DSQ-B-15	24 9/16"	20 7/8"	27"	23"	15 1/4"	38 13/16"	95	F-DSQ-15	24 9/16"	20 7/8"	14"	14"	0.762	26	
DSQ-B-16	26 1/16"	23"	28 9/16"	24 3/4"	16 3/4"	42 13/16"	123	F-DSQ-16	26 1/16"	23"	14"	14"	0.630	27	
DSQ-B-18	28 11/16"	25 3/8"	31 3/16"	27 1/8"	16 3/4"	45 7/16"	140	F-DSQ-18	28 11/16"	25 3/8"	14"	14"	0.463	30	
DSQ-B-20	31 7/16"	27 3/4"	33 7/8"	29 7/8"	16 3/4"	48 3/16"	165	F-DSQ-20	31 7/16"	27 3/4"	14"	14"	0.346	33	
DSQ-B-22	34 1/16"	31"	36 9/16"	32 3/4"	21 3/4"	55 13/16"	211	F-DSQ-22	34 1/16"	31"	20"	20"	0.182	57	
DSQ-B-24	37 9/16"	34"	40"	36"	21 3/4"	59 5/16"	241	F-DSQ-24	37 9/16"	34"	20"	20"	0.134	64	
DSQ-B-27	41 3/8"	37 1/2"	43 13/16"	39 5/16"	21 3/4"	63 1/8"	280	F-DSQ-27	41 3/8"	37 1/2"	20"	20"	0.100	71	



Filter Resistance = Filter Factor x CFM<sup>2</sup> x 10<sup>-8</sup> in. wg

## ACCESSORIES

- F-DSQ Filter section with 'V' bank 1" aluminum filters. (Filter rack will accept customer supplied 2" filters).
- Suspension or base mount vibration isolators.

## RELATED MODEL

**GSQ-D**  
Backward Inclined Direct Drive Square Inline Blower

