

D500 SERIES

Direct Drive Utility Blowers



D503



D504



D506 & D530



D507

FEATURES

- Designed for easy installations in common applications requiring moderate air quantities (up to 650 CFM) in low static systems (up to .75" W.G.).
- Available in CCW rotation only (as viewed from motor side).
- Use WM-13M solid state motor speed control to reduce CFM on Models D503 to D506.
- Use 3 speed selector for Low, Medium & High speed on D507.
- Ideal for applications where low noise levels are a "must" since the motor is out of the air stream and the blower can be remotely located.

PERFORMANCE SPECIFICATIONS

| TYPICAL MAXIMUM CFM @ SP | | | | | | |
|--------------------------|---------|---------|------|------|------|------|
| MODEL | 1/8" SP | 1/4" SP | 3/8" | 1/2" | 5/8" | 3/4" |
| D503 | 65 | 60 | 60 | -- | -- | -- |
| D504 | 120 | 100 | -- | -- | -- | -- |
| D530 | 230 | 210 | 190 | 160 | -- | -- |
| D506 | 375 | 355 | 335 | 315 | 280 | 240 |
| D507 - LOW | 410 | 375 | 340 | 315 | 225 | -- |
| D507 - MED | 495 | 460 | 390 | 355 | 300 | -- |
| D507 - HIGH | 640 | 570 | 470 | 405 | 350 | -- |

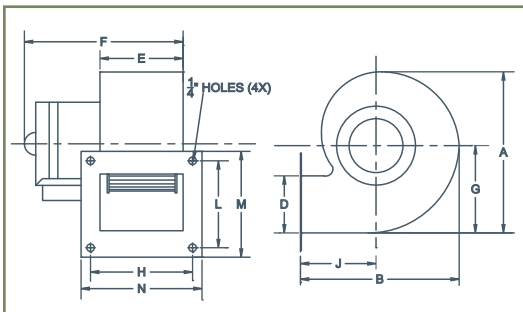
FOR FAN CURVES & FULL PERFORMANCE DATA, CONSULT OUR DELTAIR SOFTWARE.

DOWNLOAD DELTAIR @ WWW.CANARM.COM/DELTAIR

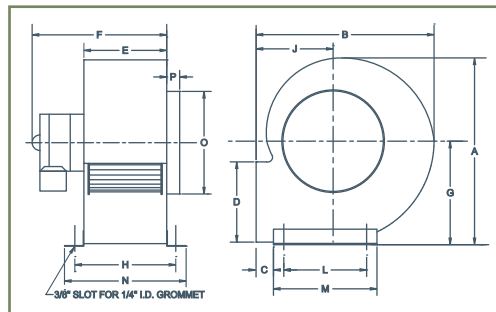
MODEL FEATURES

| FEATURES | D503 | D504 | D530 | D506 | D507 |
|---|------|------|------|------|------|
| 120V, 60 Hz CSA approved single speed shaded pole motor, continuous duty, suitable for use with WM-13 speed controller. | ● | ● | ● | ● | |
| 120V, 60 Hz CSA approved 3 speed resilient mount PSC BALL BEARING motor. | | | | | ● |
| Prelubricated bearings - no further lubrication required. | ● | ● | ● | ● | ● |
| Built in automatic reset thermal protector. | ● | ● | ● | ● | ● |
| Mount in horizontal or vertical position. | ● | ● | ● | ● | |
| Rotate housing on base for any of 8 discharge positions, keeping shaft horizontal. | | | | | ● |
| Conduit wiring box. | ● | ● | ● | ● | ● |
| Inlet screen standard. | ● | | | | |
| Duct collar inlet. | | | | ● | ● |
| Flanged outlet. | ● | ● | ● | ● | ● |
| Quiet operating forwardly curved zinc coated blower wheel. | ● | ● | ● | ● | ● |
| Base slotted for 4 rubber blower feet. | | | ● | ● | ● |
| Rugged steel blower housings with baked green enamel finish. | ● | ● | ● | ● | ● |
| Motor side access plate for motor and wheel servicing removal. | ● | ● | ● | ● | ● |

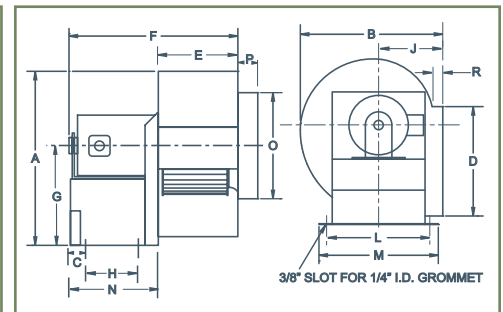
DIMENSIONS



D503 & D504



D506 & D530



D507

| MODEL | MOTOR RPM | A | B | D | E | F | H | L | M | N | O | UNIT WEIGHT (without motor & drives) |
|-------|-----------|---------|---------|--------|--------|---------|--------|--------|--------|--------|--------|--------------------------------------|
| D503 | 3000 | 6 1/8" | 5 1/4" | 1 7/8" | 2 3/4" | 5 1/4" | 3 3/8" | 2 7/8" | 3 1/2" | 4" | -- | 3 lbs |
| D504 | 1300 | 8 3/8" | 7 1/8" | 2 3/4" | 3 3/4" | 6" | 4 3/4" | 3 3/4" | 4 1/4" | 5 1/4" | -- | 4 lbs |
| D530 | 1550 | 9 3/4" | 9 1/8" | 3 7/8" | 4" | 8 1/4" | 4 7/8" | 5" | 6" | 5 7/8" | 4 7/8" | 8 lbs |
| D506 | 1520 | 10 5/8" | 9 3/4" | 3 3/4" | 5 1/4" | 11 1/8" | 6 1/8" | 5" | 6" | 7 1/8" | 5 7/8" | 13 lbs |
| D507 | 1050 | 13 1/8" | 12 1/4" | 8 1/4" | 6" | 14" | 5" | 8" | 9" | 6 5/8" | 7 7/8" | 24 lbs |

OPTIONS

MOTOR SPEED CONTROL

MODELS D503, D504, D530, D506 - Use a # WM-13M (Part # 8890016) solid state control to lower the motor speed and reduce the air flow up to the % of full capacity listed: **D503 - 30%; D530 - 45%; D504 - 45%; D506 - 55%**
MODELS D507 - Use a 3 speed switch to select High (1050 RPM), Medium (850 RPM) or Low (740 RPM) operation.