

# BACKDRAFT DAMPERS

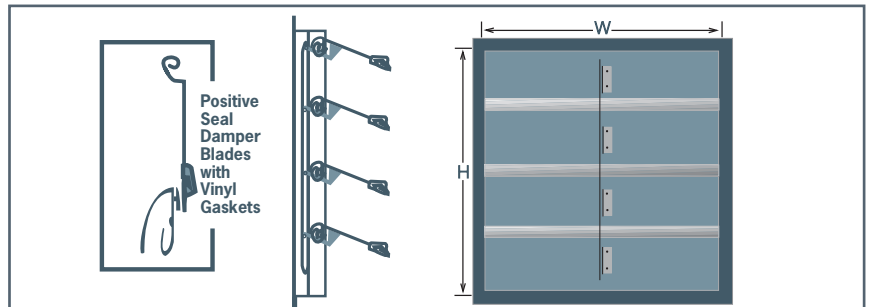
MODEL 3000, 3100, 3200



**BLADE OPTION:**

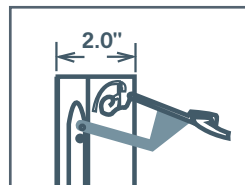
**SR: 0.016" - 0.020"**  
roll formed aluminum  
with vinyl gasket -  
used with fan motors  
under 1 HP

**SE: 0.05" extruded**  
aluminum with vinyl  
gasket - used with  
fan motors over 1 HP

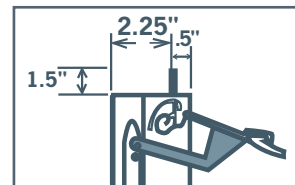


## FEATURES

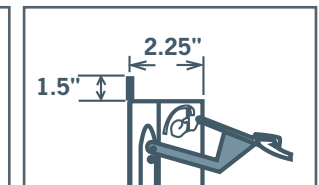
- Sturdily constructed from all aluminum extrusions.
- Roll form blades or extruded aluminum blades.
- Available in any combination of width and height.
- Less than 1% leakage.



**SERIES 3000**  
SIDE MOUNT - NO FLANGE



**SERIES 3100**  
INWARD MOUNT



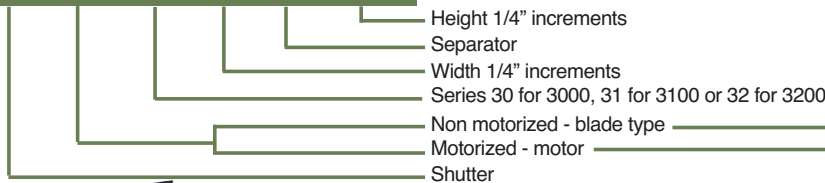
**SERIES 3200**  
OUTWARD MOUNT



**3000 & 3100 Series are undercut by 1/4".**  
**3200 Series is cut exact.**

## ORDERING METHOD FOR BACKDRAFT & MOTORIZED BACKDRAFT DAMPERS

**S R 32 16 X 16**



- R** - for Roll form (fans using under 1 HP motors)
  - E** - for Extruded (heavier blades for motors above 1 HP)
  - X** - for 115/230V
  - Z** - for 24V AC
- Extruded blades with multi products motor is standard*



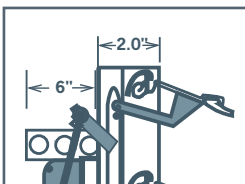
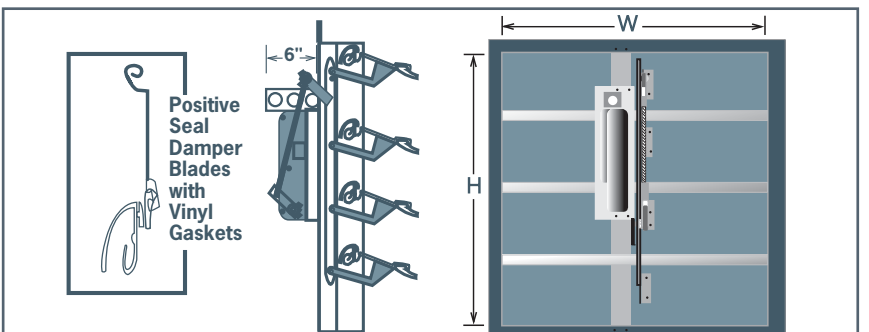
See page K5 in Controls & Thermostats section for Multi-Products replacement motors.



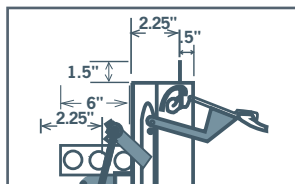
**Non-standard shutters are non-returnable and cannot be cancelled.**

# MOTORIZED BACKDRAFT DAMPERS

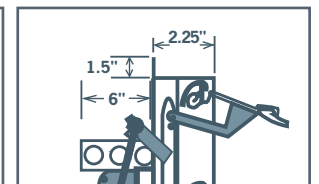
MODEL 3000M, 3100M, 3200M



**SERIES 3000M**  
SIDE MOUNT - NO FLANGE



**SERIES 3100M**  
INWARD MOUNT



**SERIES 3200M**  
OUTWARD MOUNT

## FEATURES

- Sturdily constructed from all aluminum extrusions
- Damper motor factory installed (24V, 115/230V - must specify at time of order)
- Maximum 30.25 sq. feet per motor
- Positive seal keeps leakage less than 1%
- Blades are 0.5" extruded aluminum with vinyl gasket
- Double panel available 30" and up
- Standard multi products motor



**3000 & 3100 Series are undercut by 1/4".**  
**3200 Series is cut exact.**

## ACCESSORIES

- Bird screen
- Special coatings
- Insect screen
- End switch