

**NEW** | now with  
**EC MOTORS**  
for energy savings

# ALX- DD & ALX-DD-EC SERIES DOWNBLAST DIRECT DRIVE SPUN ALUMINUM EXHAUSTERS



QUICK RELEASE  
LATCH FOR  
EASY MOTOR  
ACCESS

Ideal for exhausting air from factories, offices, warehouses or commercial buildings. The ALX series spun aluminum exhaust fan can be used as either a roof top or wall mount exhaust fan.

For Performance Specifications please see next page.

Consult our Delair fan selection software for fan curves and performance data

Download Delair at [www.canarm.com/delair](http://www.canarm.com/delair)

**FEATURING PERFECT  
SPEED EC MOTORS - UP TO  
82% EFFICIENCY**

**ENERGY SAVINGS OF UP  
TO 70% OVER REGULAR  
DUTY PSC MOTORS**



## FEATURES

- Spun aluminum housing will not rust, chip or peel.
- Aluminum backward inclined wheel is non-overloading.
- Available with PSC or EC Motors
- Variable speed PSC Motors available on ALX 090/105/120/135
- All motors are 1 Phase 120/240V operation and can be operated at 50 or 60 Hz.
- All units can be wall mounted.
- Quick release latches for easy motor access on ALX135 – ALX165.



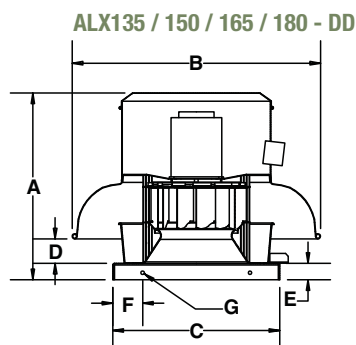
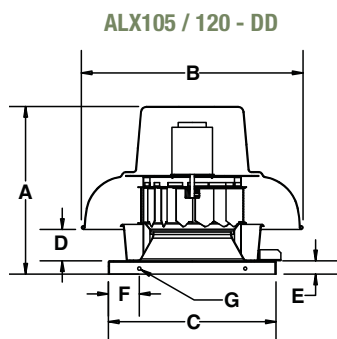
## EC MOTORS ONLY

- EC motors offer true variable speed operation and up to 70% energy savings over PSC motors.
- On-board speed adjustment allows simple setup and balancing with LED display.
- Can be controlled remotely up to 50' using a remote mount potentiometer or 0-10V.

## DIMENSIONS

MODEL	DIMENSIONS (INCHES)										Net Weight
	A	B	C	C2	D	E	F	G	Wheel Diameter	Roof Opening	
ALX090-DD	14.5	20.75	19	-	-	2	-	-	9	13	30
ALX105-DD/EC	18.00	25.00	19.00	21.00	2.50	1.50	3.50	0.38	10.50	15.00	33 lbs
ALX120-DD/EC	19.00	25.00	19.00	21.00	3.50	1.50	3.50	0.38	12.25	15.00	35 lbs
ALX135-DD/EC	22.25	31.25	21.00	24.75	3.13	2.00	3.75	0.44	13.50	17.00	51 lbs
ALX150-DD/EC	23.13	31.25	21.00	24.75	3.75	2.00	3.75	0.44	15.00	17.00	56 lbs
ALX165-DD/EC	27.13	36.25	24.75	28.00	5.00	2.00	4.00	0.44	16.50	20.75	100 lbs
ALX180-DD/EC*	31.75	36.25	28.00	24.75	5.50	2.00	4.00	0.44	18.25	20.75	114 lbs
ALX210-DD/EC*	36.25	43.75	33.13	40.00	5.25	2.50	4.00	0.44	21.00	29.00	176 lbs

\*EC motor option only



## OPTIONS & ACCESSORIES

- Motorized damper
  - Gravity (automatic) damper
  - Wall mount bracket (for all sizes up to 24")
  - Bird screen
  - Curb hinge
  - Disconnect switches
  - Roof Curbs
  - MC series solid state variable speed controls (ALX 150/120 and 135)
  - Remote mount potentiometer (available soon - EC models)
  - Other base (curb cap) options available.
- See C2 in dimensions table.



Canarm certifies that the ALX-DD Series shown herein are licensed to bear the AMCA Seal. The ratings shown are based on tests and procedures performed in accordance with AMCA Publications 211 & 311 and comply with the requirements of the AMCA Certified Ratings Programme.



## ALX-DD & ALX-DD-EC SERIES - DOWNBLAST DIRECT DRIVE SPUN ALUMINUM EXHAUSTERS

### PERFORMANCE SPECIFICATIONS & CFM RATINGS

Unit	Motor			Airflow (CFM) @ Static Pressure															
	HP	Variable Speed	Max RPM	0.0"		.25"		.5"		.75"		1.00"		1.25"		1.5"		2.0"	
				High	Low	High	Low	High	Low	High	Low	High	Low	High	Low	High	Low	High	Low
ALX090-DD008V	1/12	Y	1650	500	250	425	100	300	100	-	-	-	-	-	-	-	-	-	-
ALX105-DD013V	1/8	Y*	1650	950	526	875	451	760	225	-	-	-	-	-	-	-	-	-	-
ALX105-DD033EC	1/3	Y	1800	1100	239	1003	335	877	396	729	460	486	486	-	-	-	-	-	-
ALX120-DD033V	1/3	Y*	1650	1300	977	1200	901	1000	751	800	601	600	451	-	-	-	-	-	-
ALX120-DD033EC	1/3	Y	1700	1544	341	1406	400	1279	436	1095	438	810	472	-	-	-	-	-	-
ALX120-DD050EC	1/2	Y	1800	1610	341	1477	400	1357	436	1201	438	955	472	571	484	-	-	-	-
ALX135-DD075V	3/4	N	1650	1950	-	1900	-	1800	-	1650	-	1550	-	1400	-	1300	-	-	-
ALX135-DD033EC	1/3	Y	1350	1578	414	1469	494	1341	574	1194	750	1009	865	-	-	-	-	-	-
ALX135-DD050EC	1/2	Y	1550	1843	414	1747	494	1645	574	1530	750	1405	865	1258	919	-	-	-	-
ALX135-DD075EC	3/4	Y	1800	2150	414	2075	494	2000	574	1900	750	1700	865	1600	919	1450	977	-	-
ALX150-DD100S	1	N	1650	2600	-	2500	-	2400	-	2250	-	2075	-	1950	-	1775	-	-	-
ALX150-DD033EC	1/3	Y	1250	1806	570	1649	499	1425	633	1179	812	-	-	-	-	-	-	-	-
ALX150-DD050EC	1/2	Y	1475	2133	570	2003	499	1842	633	1640	812	1430	866	1175	879	-	-	-	-
ALX150-DD075EC	3/4	Y	1675	2424	570	2312	499	2182	633	2016	812	1837	866	1654	879	1448	1072	-	-
ALX150-DD100EC	1	Y	1700	2625	570	2575	499	2450	633	2300	812	2150	866	2000	879	1800	1072	1325	1116
ALX165-DD150S	1 1/2	N	1650	3500	-	3400	-	3200	-	3100	-	2900	-	2700	-	2600	-	-	-
ALX165-DD033EC	1/3	Y	1100	2264	860	2034	825	1787	1044	1470	1194	-	-	-	-	-	-	-	-
ALX165-DD050EC	1/2	Y	1250	2529	860	2328	825	2115	1044	1861	1194	1568	1320	-	-	-	-	-	-
ALX165-DD075EC	3/4	Y	1450	2909	860	2731	825	2546	1044	2362	1194	2132	1320	1879	1441	-	-	-	-
ALX165-DD100EC	1	Y	1600	3250	860	3100	825	3000	1044	2850	1194	2650	1320	2500	1441	2350	1545	-	-
ALX180-DD100EC	1	Y	1200	3800	1300	3625	1380	3325	1450	3000	1550	2650	1650	2200	1750	-	-	-	-
ALX210-DD100EC	1	Y	900	4400	1800	4000	1825	3600	1875	32000	1900	2400	1925	-	-	-	-	-	-

\* Using MC5 (for 115V or MC5-230 (for 230V)

\*\* Using MC10 (for 115V or MC5-230 (for 230V)

Minimum motor speed 425 RPM (EC Models)

EC motors can be controlled using the built in potentiometer on motor or by using a 0 to 10 V controller, or by a remote potentiometer.

### ALX DOWNBLAST SERIES AIRFLOW RANGE WITH EC MOTORS

