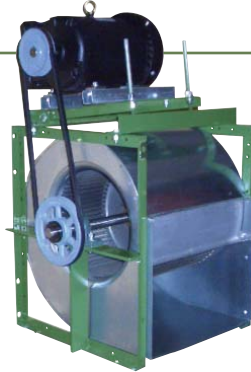


900 SERIES

Double Width, Double Inlet, Framed Heavy Duty Blowers
- with Pillow Block Bearings



WITH
MOTOR &
DRIVES



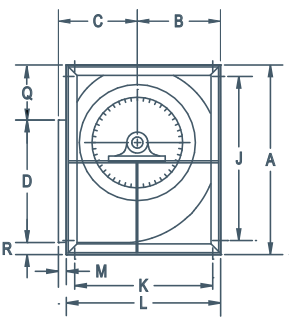
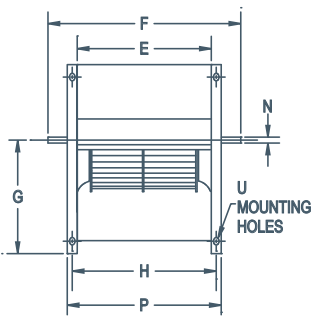
**TWIN
UNIT
AVAILABLE**

Call for
pricing & availability.

FEATURES

- Pillow block bearings mounted on "T" bar support.
- Corrosion resistant galvanized blower housing.
- Available as single and twin assemblies.
- All wheels capable of running at AMCA Class II operating conditions with appropriate shaft and bearings.
- Welded angular steel blower frames with T bar supports under bearings when used in bottom horizontal discharge (BHD) mounting position. Suitable for operation in top horizontal discharge (THD), upblast (UB) or downblast (DB) discharge position.
- Frames and bearing supports are baked powder coat finished.
- Pre-lubricated cast iron pillow block ball bearings with grease fitting suitable for operating in ambient temperatures from -30 to +230° F.
- Shaft extensions keywayed both ends suitable for single or double groove pulleys.
- Corrosion inhibiting shaft coating.
- Units skidded for shipment.

DIMENSIONS



PERFORMANCE SPECIFICATIONS

TYPICAL MAXIMUM CFM @ SP - At Maximum Horsepower Rating					
MODEL	1/2" SP	1" SP	1 1/2" SP	2" SP	2 1/2" SP
907	3800	3700	3600	3500	3400
909-7	4400	4300	4200	4100	4000
909	5100	5000	4900	4800	4700
910-8	5200	5100	5000	4900	4800
910	6900	6800	6600	6400	6200
912-9	7600	7500	7300	7100	6900
912	8200	8000	7800	7600	7400
915-10	9000	8600	8400	8200	8000
915	12000	11500	11250	11000	10500
918-13	13300	12800	12300	12000	11700
918	18000	17000	16500	16000	15500
920-18	17000	16250	15500	15000	14500
920	26000	25500	25000	24500	24000
922	30000	29500	28500	28000	27000
925	40000	39000	38000	37000	36000
927	48000	46000	45000	43000	42000
930	56000	54500	53000	51000	49000
933	72000	70000	69000	68000	66000
936	76000	75000	74000	72000	70000

Power rating (BHP) does not include transmission losses. Performance certified is for installation type B: Fan inlet, Ducted outlet. Performance ratings do not include the effect of appurtenances (accessories).

FOR FAN CURVES & FULL PERFORMANCE DATA, CONSULT OUR DELAIR SOFTWARE.

DOWNLOAD DELAIR @ WWW.CANARM.COM/DELAIR

MODEL	A	B	C	D	E	F (See Note)	G	H	J	K	L	M	N (See Note)	P	Q	R	U	UNIT WEIGHT (LBS) (without motor & drives)
907	14 3/8"	6 7/16"	6 1/16"	8 1/4"	9 3/16"	17 3/16"	8 5/8"	10 3/8"	11 5/8"	9"	11 3/4"	3/4"	3/4"	11 3/8"	4 5/8"	1 1/2"	7/16 x 5/8	22
909-7	17 1/4"	7 15/16"	7 5/16"	10 1/4"	9 3/16"	17 3/16"	10 1/8"	10 3/8"	14 1/2"	11 3/4"	14 1/2"	3/4"	3/4"	11 3/8"	5 1/2"	1 1/2"	7/16 x 5/8	27
909	17 1/4"	7 15/16"	7 5/16"	10 1/4"	11 13/16"	19 13/16"	10 1/8"	12 15/16"	14 1/2"	11 3/4"	14 1/2"	3/4"	3/4"	13 15/16"	5 1/2"	1 1/2"	7/16 x 5/8	32
910-8	19 1/8"	9"	8"	11 3/8"	10 1/2"	18 1/2"	11 1/4"	11 5/8"	16 1/2"	13 3/8"	16 1/4"	3/4"	3/4"	12 5/8"	6 1/4"	1 1/2"	7/16 x 5/8	35
910	19 1/8"	9"	8"	11 3/8"	13 1/8"	21 5/8"	11 1/4"	14 1/4"	16 1/2"	13 3/8"	16 1/4"	3/4"	1"	15 1/4"	6 1/4"	1 1/2"	7/16 x 5/8	43
912-9	22 1/4"	10 5/8"	9 1/8"	13 7/16"	12 1/4"	20 3/4"	13"	13 3/8"	19 5/8"	16 1/4"	19"	3/4"	1"	14 3/8"	7 5/16"	1 1/2"	7/16 x 5/8	48
912	22 1/4"	10 5/8"	9 1/8"	13 7/16"	15 5/8"	24 1/8"	13"	16 3/4"	19 5/8"	16 1/4"	19"	3/4"	1"	17 3/4"	7 5/16"	1 1/2"	7/16 x 5/8	59
915-10	26"	12 9/16"	10 5/16"	15 7/8"	14 11/16"	23 3/16"	15 1/4"	15 13/16"	23 3/8"	19 3/8"	22 1/8"	3/4"	1"	16 13/16"	8 5/8"	1 1/2"	7/16 x 5/8	62
915	26"	12 9/16"	10 5/16"	15 7/8"	18 5/8"	27 1/8"	15 1/4"	19 3/4"	23 3/8"	19 3/8"	22 1/8"	3/4"	1"	20 3/4"	8 5/8"	1 1/2"	7/16 x 5/8	76
918-13	30 3/4"	14 15/16"	12 3/8"	18 7/8"	17 3/8"	27 1/8"	17 3/4"	19"	29"	24 1/2"	26 1/2"	3/4"	1 3/16"	20 1/2"	10 3/8"	1 1/2"	7/16 x 5/8	120
918	30 3/4"	14 15/16"	12 3/8"	18 7/8"	21 7/8"	34"	17 3/4"	23 1/2"	29"	24 1/2"	26 1/2"	3/4"	1 3/16"	25"	10 3/8"	1 1/2"	7/16 x 5/8	115
920-18	38"	18 5/16"	14 7/16"	24 3/4"	22 3/4"	36"	22 9/16"	24 1/4"	32 1/4"	25 1/2"	31 1/4"	1 1/2"	1 3/16"	26 3/4"	11 1/4"	2"	5/8"	202
920	38"	18 5/16"	14 7/16"	24 3/4"	24 3/4"	37 1/4"	22 9/16"	26 1/4"	32 1/4"	25 1/2"	31 1/4"	1 1/2"	1 3/16"	28 3/4"	11 1/4"	2"	5/8"	202
922	41 1/2"	20 1/16"	15 11/16"	27 1/4"	27 1/4"	39 3/4"	24 5/8"	28 3/4"	35 3/4"	28 1/2"	34 1/4"	1 1/2"	1 3/16"	31 1/4"	12 1/4"	2"	5/8"	226
925	46 3/4"	22 5/8"	17 1/4"	31 1/4"	31 1/4"	43 3/4"	27 3/4"	32 3/4"	41"	32 3/4"	38 3/8"	1 1/2"	1 3/16"	35 1/4"	13 1/2"	2"	5/8"	276
927	51 1/2"	25 1/16"	19 1/8"	34 1/4"	34 1/4"	50 1/4"	30 1/4"	35 3/4"	46 1/2"	37 11/16"	42 11/16"	1 1/2"	1 11/16"	38 1/4"	15 1/4"	2"	5/8"	400
930	55 1/2"	27 1/16"	20 5/16"	36 3/4"	36 3/4"	52 3/4"	32 5/8"	38 1/4"	50 1/2"	40 7/8"	45 7/8"	1 1/2"	1 11/16"	40 3/4"	16 3/4"	2"	5/8"	505
933	59 3/4"	29 1/8"	24 5/8"	42 15/16"	39 3/4"	58 3/4"	34 1/4"	41 3/4"	54 3/4"	47 1/4"	52 1/4"	1 1/2"	2 3/16"	43 3/4"	14 13/16"	2"	5/8"	610
936	59 3/4"	29 1/8"	24 5/8"	42 15/16"	42 3/4"	61 3/4"	34 1/4"	44 3/4"	54 3/4"	47 1/4"	52 1/4"	1 1/2"	2 3/16"	46 3/4"	14 13/16"	2"	5/8"	685

NOTE: "F" Dimension may vary among optional shaft diameters. Standard shaft sizes shown. Larger diameter shafts available. All wheels can run safely at AMCA Class II operating conditions with appropriate shaft & bearings.

ACCESSORIES

- Models 907 to 915 - Motor mounting bracket with mounting and belt tension adjusting hardware.
- Models 912 to 936 - 1 to 15 HP motor platform with mounting hardware.
- Models 918 to 936 - 20 to 50 hp motor platform with mounting hardware.

< OPTIONAL 1 TO 15 HP MOTOR PLATFORM

For more information on motor platforms, see page J6 in Accessories & Motor tab.