

700 SERIES

Filtered Fresh Air Supply Units

For use in restaurants, schools, high rise apartments and many other commercial and industrial applications.



AVAILABLE WITH MOTORS & DRIVES FACTORY INSTALLED. CONSULT OUR DELAIR FAN SELECTION SOFTWARE FOR DETAILS.



Canarm certifies that the 700 Series shown herein are licensed to bear the AMCA Seal. The ratings shown are based on tests and procedures performed in accordance with AMCA Publications 211 & 311 and comply with the requirements of the AMCA Certified Ratings Programme.



PERFORMANCE SPECIFICATIONS

MODEL	TYPICAL MAXIMUM CFM @ SP					Min HP	Max HP
	1/2" SP	1" SP	1 1/2" SP	2" SP	2 1/2" SP		
709	2600	2500	2300	2100	1800	1/6	1 1/2
710	3200	2900	2600	2300	2000	1/6	1 1/2
712	4400	4000	3600	3100	2600	1/6	2
715	5800	5400	4600	4000	3400	1/6	3
718	8500	8000	7300	6700	5700	1/4	5

Power rating (BHP) does not include transmission losses. Performance certified is for installation type B: Free inlet, Ducted outlet. Performance ratings do not include the effect of appurtenances (accessories).

CFM values listed above are summarized for convenience.

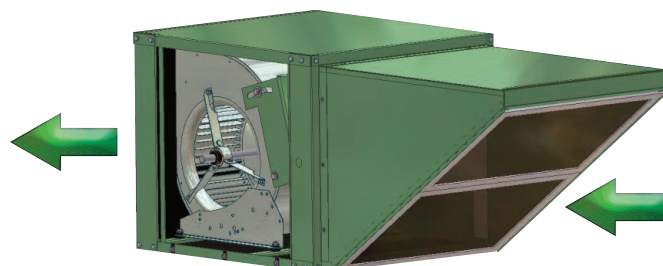
FOR FAN CURVES & FULL PERFORMANCE DATA, CONSULT OUR DELAIR SOFTWARE. DOWNLOAD DELAIR @ WWW.CANARM.COM/DELAIR

FEATURES

- Green, weather resistant baked powder coat finish.
- Heavy duty ball bearings suitable for -65° to +250° F.
- Latched top cover provides convenient service access to 4 filters, motor and drive.
- Flexible forward curved belt drive blowers operate at low speed and noise levels.
- Blower is rubber mounted for quiet operation.
- Four permanent, washable, aluminum filters have large surface area for efficient filtration.
- Outside air flows over the motor to increase motor life.
- Top insulated with 1/2" fiberglass flexible duct liner.
- Adaptable to heating or cooling coils for applications requiring tempered air.
- Motor mounting hardware supplied with all units.

FOR HORIZONTAL APPLICATIONS

9200 SERIES WITH INTAKE HOOD

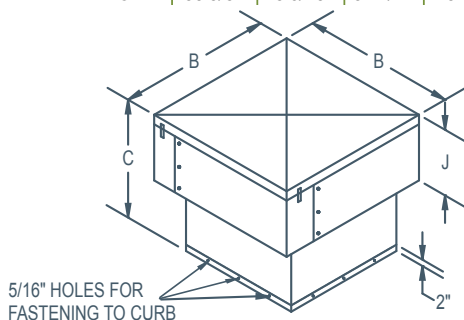


Use 9200 Series Duct Blower with matching "H" Series Intake Hood. Refer to page (9200 Series - page C7).

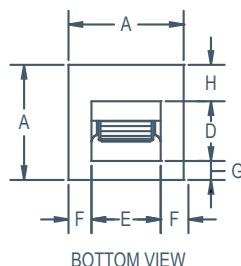
DIMENSIONS

MODEL	A	B	C	D	E	F	G	H	J	FILTERS		*INSIDE CABINET	UNIT WEIGHT (LBS) (without motor & drives)
										SIZE	QUANTITY		
709	24 3/8"	32 3/8"	24 3/8"	10 1/4"	11 13/16"	6 9/32"	7 1/16"	7 1/16"	10 1/4"	10"x 20"	4	24"x 24"	84
710	28 3/8"	38 1/2"	28 1/4"	11 3/8"	13 1/8"	7 5/8"	8 1/2"	8 1/2"	12 1/4"	12"x 24"	4	28"x 28"	108
712	32 3/8"	42 5/8"	31 3/8"	13 7/16"	15 5/8"	8 3/8"	9 15/32"	9 15/32"	16 1/2"	16"x 25"	4	32"x 32"	150
715	32 3/8"	42 5/8"	31 3/8"	15 7/8"	18 5/8"	6 7/8"	6 1/4"	10 1/4"	16 1/2"	16"x 25"	4	32"x 32"	155
718	36 3/8"	48 5/16"	37 1/4"	18 7/8"	21 7/8"	7 1/4"	6"	11 1/2"	20 3/4"	20"x 28 1/2"	4	36"x 36"	245

* Curb size to be smaller than inside cabinet to allow for flashing and roofing.

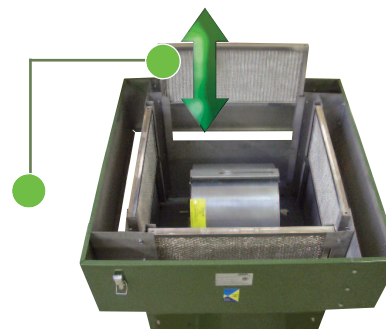


5/16" HOLES FOR FASTENING TO CURB



BOTTOM VIEW

MOTOR AND DRIVE COMPARTMENT WITH COVER REMOVED TO ILLUSTRATE 3 SIDE MOTOR ACCESS AND SLOPED MOTOR BASE FOR BELT TENSIONING.



ACCESSORIES

- Roof curbs (see page C27)