



GREEN SERIES 700DD-EC

Filtered Fresh Air Supply Units

FEATURES

- High efficiency direct drive motor for energy efficient low maintenance applications.
- Green, weather resistant baked powder coat finish.
- Latched top cover provides convenient service access to 4 filters.
- EC Motor offers true variable speed operation and up to 70% energy savings over PSC motors.

PERFORMANCE SPECIFICATIONS

MODEL	MOTOR			AIRFLOW (CFM @ Static Pressure)															
	HP	Variable Speed	Max RPM	0"		0.25"		0.5"		0.75"		1"		1.25"		1.5"		1.75"	
				High	Low	High	Low	High	Low	High	Low	High	Low	High	Low	High	Low	High	Low
709DD050EC	1/2	Y*	1200	2000	900	1850	600	1650	500	1425	500	1250	500	500	450	--	--	--	--
709DD100EC	1	Y*	1200	2525	900	2400	600	2275	500	2100	500	1400	500	500	450	--	--	--	--
710DD050EC	1/2	Y*	1100	2300	1400	1900	600	1400	500	1050	500	750	500	500	400	--	--	--	--
710DD100EC	1	Y*	1100	2900	1400	2600	600	2250	500	1900	500	1600	500	800	400	--	--	--	--
712DD050EC	1/2	Y*	1000	3000	2000	2650	800	2300	600	1900	600	1425	600	1100	500	--	--	--	--
712DD100EC	1	Y*	1000	3800	2000	3575	800	3250	600	2950	600	2700	600	2000	600	400	200	--	--

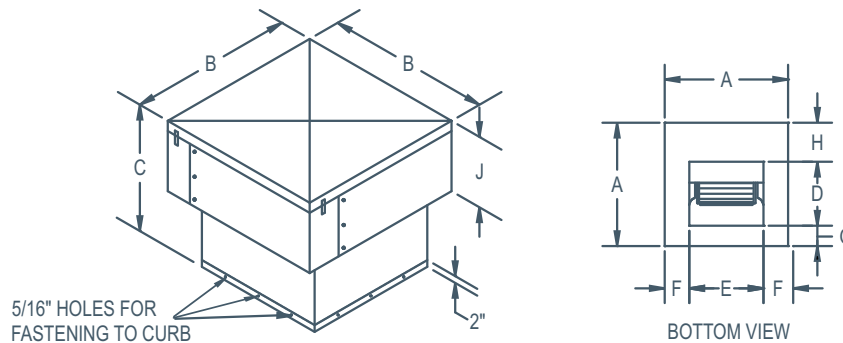
* Minimum motor speed 425 RPM (EC Models)

EC motors can be controlled using the built in potentiometer on motor or by using a 0 to 10 V controller, or by a remote potentiometer.

*REVIEW FAN CURVES BEFORE ADJUSTING RPM TO ENSURE LOAD DOES NOT EXCEED MOTOR HP.



DIMENSIONS



MODEL	A	B	C	D	E	F	G	H	J	FILTERS		*INSIDE CABINET	UNIT WEIGHT (LBS) (without motors & drives)
										SIZE	QUANTITY		
709DD	24 3/8"	32 3/8"	24 3/8"	10 1/4"	11 13/16"	6 9/32"	7 1/16"	7 1/16"	10 1/4"	10"x 20"	4	24"x 24"	84
710DD	28 3/8"	38 1/2"	28 1/4"	11 3/8"	13 1/8"	7 5/8"	8 1/2"	8 1/2"	12 1/4"	12"x 24"	4	28"x 28"	108
712DD	32 3/8"	42 5/8"	31 3/8"	13 7/16"	15 5/8"	8 3/8"	9 15/32"	9 15/32"	16 1/2"	16"x 25"	4	32"x 32"	150

* Curb size to be smaller than inside cabinet to allow for flashing and roofing.