

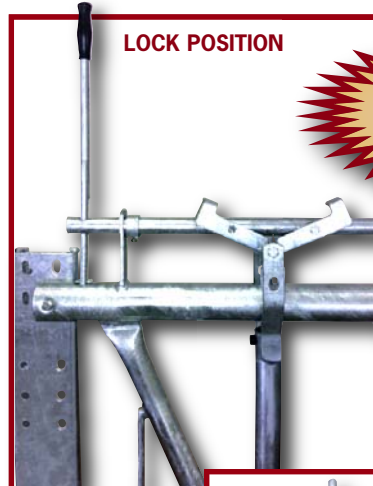


OPEN TOP SELF LOCKING FEED FRONTS



Features

- Easy to operate
- Quiet operation
- Available in 8', 10' or 12'
- Galvanized
- Easy to lock individual cows
- New easier to open Handle available



CANARM LTD. - Corporate Office
 2157 Parkedale Ave., Brockville, ON
 Canada K6V 5V6
 Tel: (613) 342-5424 Fax: 1-800-263-4598

CANARM LTD. - USA Warehouse
 808 Commerce Park Drive
 Ogdensburg, New York, USA 13669
 Tel: 1-800-267-4427 Fax: 1-800-263-4598

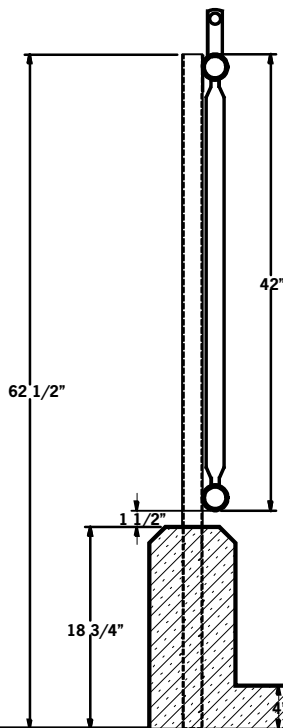
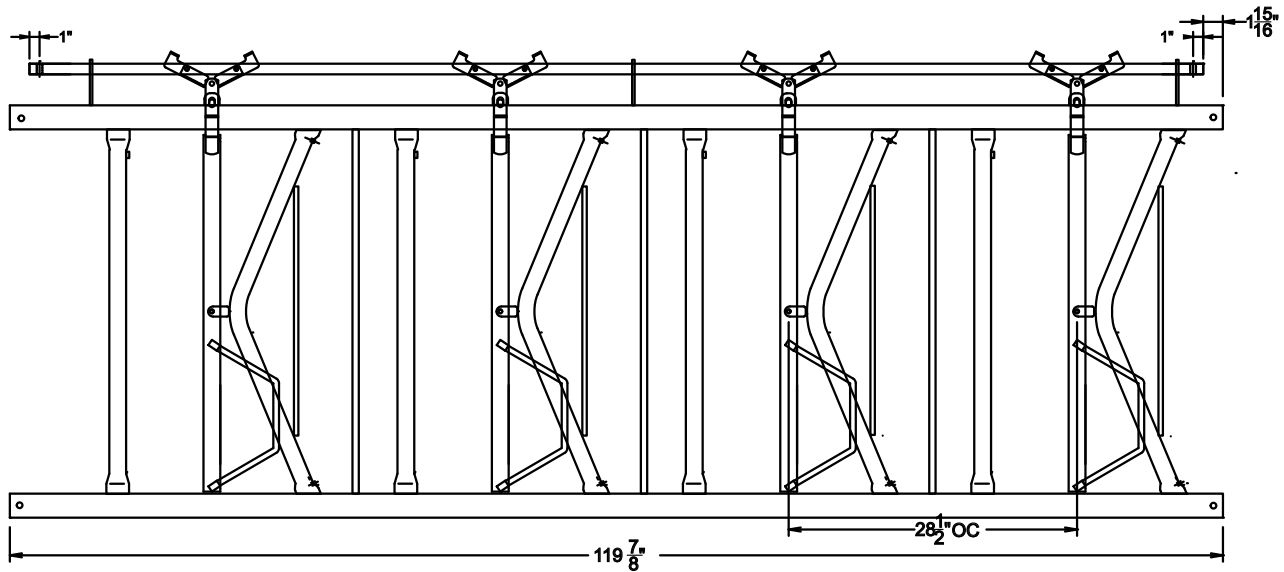
Arthur Manufacturing Facility
 #7686 Concession 16, RR 4 Arthur, ON
 Canada NOG 1A0
 Tel: (519) 848-3910 Fax: (519) 848-3948

Web Site: www.canarm.com
 E-Mail: agsales@canarm.ca



ASSEMBLY

- (1340008) 8' SELF LOCK FRONT (3 OPENINGS)
- (1340010) 10' SELF LOCK FRONT (4 OPENINGS)
- (1340012) 12' SELF LOCK FRONT (5 OPENINGS)



CROSS-SECTION

- 8" THICK CONCRETE CURB
- INSTALL AT A HEIGHT TO SUIT ANIMAL SIZE
- INSTALLATION SHOWN IS A GUIDELINE ONLY

PEN SIDE

FEED MANGER